



1500 SERIES BELT CONVEYORS & FIELD LOADERS

PARTS MANUAL

TABLE OF CONTENTS

DESCRIPTION	PAGE
1530 TD-15503003	6
HOPPER (15000304P)	10
ELECTRIC DRIVE KIT (15000270)	12
HYDRAULIC DRIVE KIT FOR 1814LP & TD (18000281)	14
1535 TD-15503503	16
HOPPER (15000304P)	20
ELECTRIC DRIVE KIT (15000270)	22
HYDRAULIC DRIVE KIT FOR 1814LP & TD (18000281)	24
HOPPER (15000304P)	26
ELECTRIC DRIVE KIT (15000270)	28
HYDRAULIC DRIVE KIT FOR 1814LP & TD (18000281)	30
1540 TD-15504053	32
S-DRIVE (15597000)	36
HOPPER (15000304P)	38
ELECTRIC DRIVE KIT (15000270)	40
HYDRAULIC DRIVE KIT FOR 1814LP & TD (18000281)	42
1545 TD-15504553	44
S-DRIVE (15597000)	48
HOPPER (15000304P)	50
ELECTRIC DRIVE KIT (15000270)	52
HYDRAULIC DRIVE KIT FOR 1814LP & TD (18000281)	54
1555 SD-15505511	56
S-DRIVE (15590020)	60
HOPPER (15000304P)	62
GAS DIRECT DRIVE KIT (15593100)	64
ELECTRIC DRIVE KIT (15593000)	68
SIDE P.T.O. DRIVE KIT 15 SERIES (15592200)	70
1535 FL-15503522	72
S-DRIVE (15590020)	76
HOPPER (15000303P)	78
1535FL GAS DIRECT DRIVE KIT (15593120)	80
ELECTRIC DRIVE KIT (15593010)	82
1545 FL-15504522	84
S-DRIVE (15590020)	88
HOPPER (15000303P)	90
1545FL GAS DIRECT DRIVE KIT (15593130)	92

TABLE OF CONTENTS

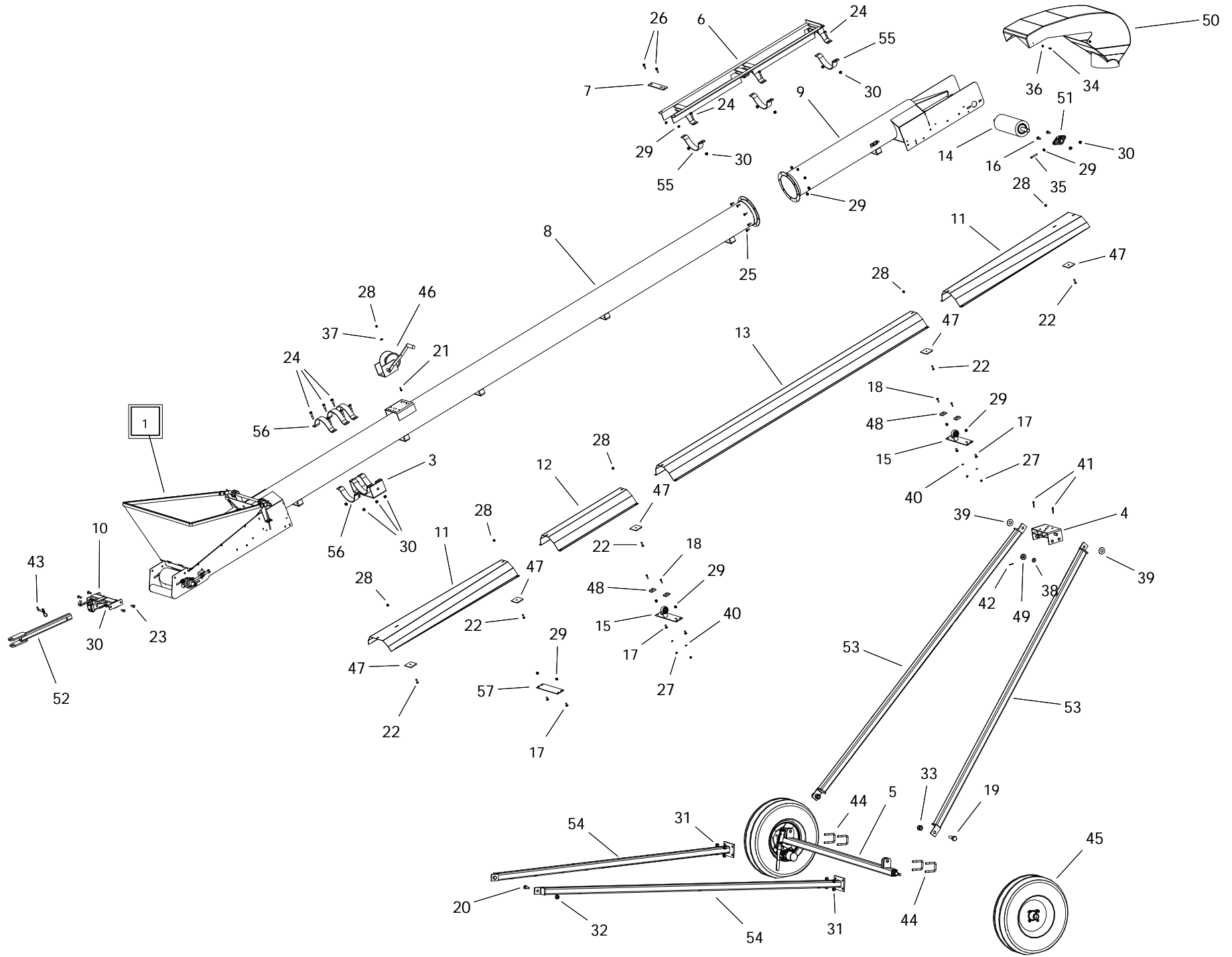
DESCRIPTION	PAGE
ELECTRIC DRIVE KIT (15593010)	96
1535 FL TD-15503541	98
SPOUT PINCH ROLLER KIT (15597000)	102
HOPPER (15000303P)	104
ELECTRIC DRIVE KIT (15000270)	106
HYDRAULIC DRIVE KIT FOR 1814LP & TD (18000281)	108
1545 FL TD-15504541	110
SPOUT PINCH ROLLER KIT (15597000)	114
HOPPER (15000303P)	116
ELECTRIC DRIVE KIT (15000270)	118
HYDRAULIC DRIVE KIT FOR 1814LP & TD (18000281)	120
1565 SD-15506511	122
S-DRIVE (15590020)	126
HOPPER (15000304P)	128
ELECTRIC DRIVE KIT (15593000)	130
SIDE P.T.O. DRIVE KIT 15 SERIES (15592200)	132
FRONT DRIVE PTO KIT 15 SERIES (15592230)	134
1575 SD-15507511	136
S-DRIVE (15590020)	140
HOPPER (15000304P)	142
1575 ELECTRIC DRIVE KIT (15593020)	144
SIDE P.T.O. DRIVE KIT 15 SERIES (15592200)	146
FRONT DRIVE PTO KIT 15 SERIES (15592230)	148
1585 SD-15508511	150
S-DRIVE (15590020)	154
HOPPER (15000304P)	156
1585 ELECTRIC DRIVE KIT (15593020)	158
SIDE P.T.O. DRIVE KIT 15 SERIES (15592200)	160
FRONT DRIVE PTO KIT 15 SERIES (15592230)	162
1590 SD-15509011	164
S-DRIVE (15590020)	168
HOPPER (15000304P)	170
1590 ELECTRIC DRIVE KIT (15593020)	172
SIDE P.T.O. DRIVE KIT 15 SERIES (15592200)	174
FRONT DRIVE PTO KIT 15 SERIES (15592230)	176
15100 SD-15510011	178

TABLE OF CONTENTS

DESCRIPTION	PAGE
S-DRIVE (15590020)	182
HOPPER (15000304P)	184
15100 ELECTRIC DRIVE KIT (15593020)	186
SIDE P.T.O. DRIVE KIT 15 SERIES (15592200)	188
FRONT DRIVE PTO KIT 15 SERIES (15592230)	190
1535 FL FMD-15503525	192
S-DRIVE (15590020)	196
HOPPER (15000303P)	198
WHEEL MOVE	200
WHEEL MOVE DRIVE SYSTEM (13000139)	204
1535FL GAS DIRECT DRIVE KIT (15593120)	206
WET KIT GAS (1559408X) - 45	208
1545 FL FMD-15504525	210
S-DRIVE (15590020)	214
HOPPER (15000303P)	216
WHEEL MOVE	218
WHEEL MOVE DRIVE SYSTEM (13000139)	222
1545FL GAS DIRECT DRIVE KIT (15593130)	224
WET KIT GAS (1559408X) - 45	228
1565 FMD-15506515	230
S-DRIVE (15590020)	234
HOPPER (15000304P)	236
WHEEL MOVE	238
WHEEL MOVE DRIVE SYSTEM (13000144)	240
WHEEL MOVE HYDRAULIC SCHEMATIC	242
GAS DIRECT DRIVE KIT (15593100)	244
WET KIT GAS (1559408X) - 45	248
1575 FMD-15507515	250
S-DRIVE (15590020)	254
HOPPER (15000304P)	256
WHEEL MOVE	258
WHEEL MOVE DRIVE SYSTEM (13000144)	260
WHEEL MOVE HYDRAULIC SCHEMATIC	262
GAS DIRECT DRIVE KIT (15593100)	264
WET KIT GAS (1559408X) - 45	268
1585 FMD-15508515	270

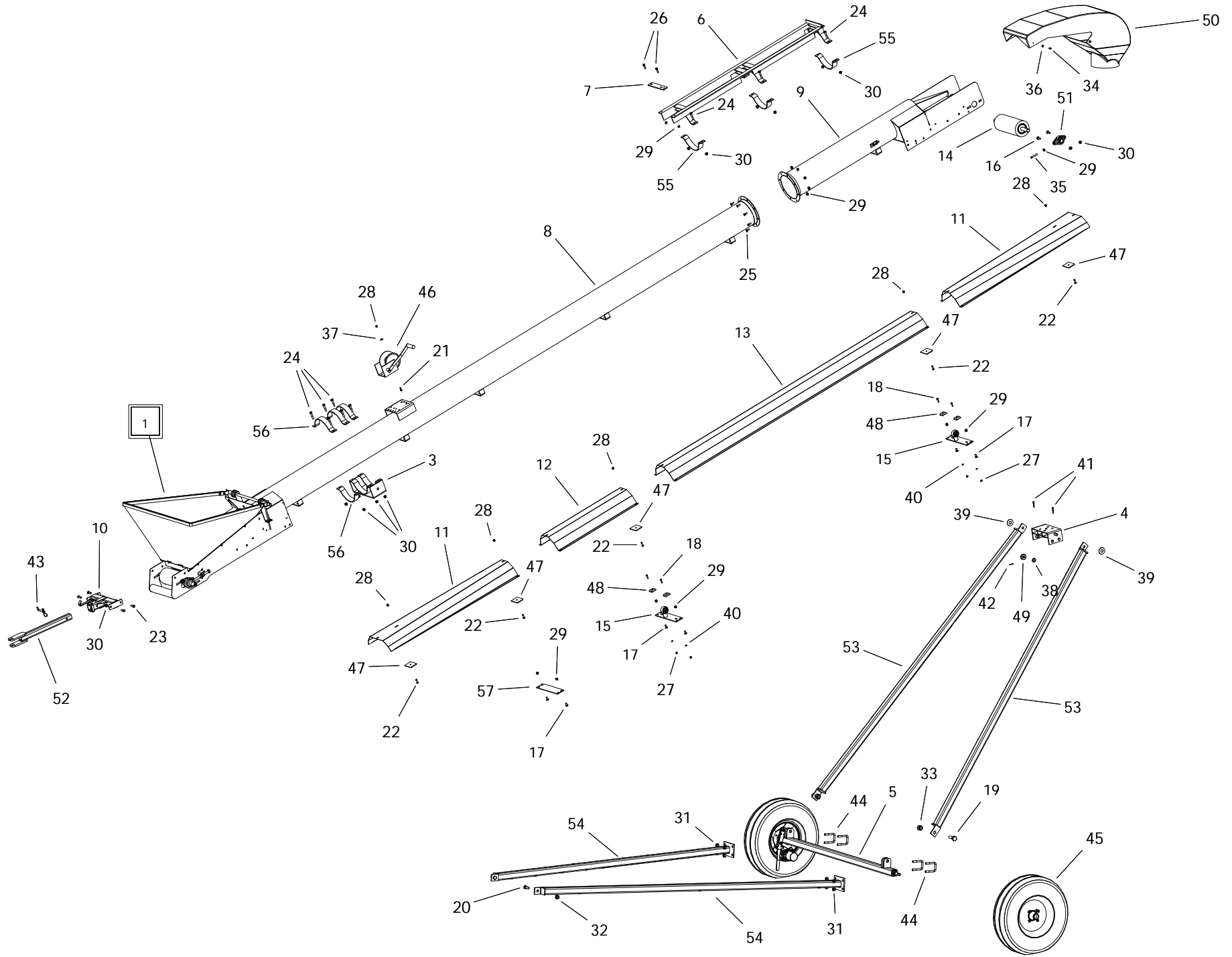
TABLE OF CONTENTS

DESCRIPTION	PAGE
S-DRIVE (15590020)	274
HOPPER (15000304P)	276
WHEEL MOVE	278
WHEEL MOVE DRIVE SYSTEM (13000144)	280
WHEEL MOVE HYDRAULIC SCHEMATIC	282
GAS DIRECT DRIVE KIT (15593100)	284
WET KIT GAS (1559408X) - 45	288
1590 FMD-15509015	290
S-DRIVE (15590020)	294
HOPPER (15000304P)	296
WHEEL MOVE	298
WHEEL MOVE DRIVE SYSTEM (13000144)	300
WHEEL MOVE HYDRAULIC SCHEMATIC	302
GAS DIRECT DRIVE KIT (15593100)	304
WET KIT GAS (1559408X) - 45	308
15100 FMD-15510015	310
S-DRIVE (15590020)	316
HOPPER (15000304P)	318
WHEEL MOVE	320
WHEEL MOVE DRIVE SYSTEM (13000144)	322
WHEEL MOVE HYDRAULIC SCHEMATIC	324
GAS DIRECT DRIVE KIT (15593100)	326
WET KIT GAS (1559408X) - 45	330



1530 TD-15503003

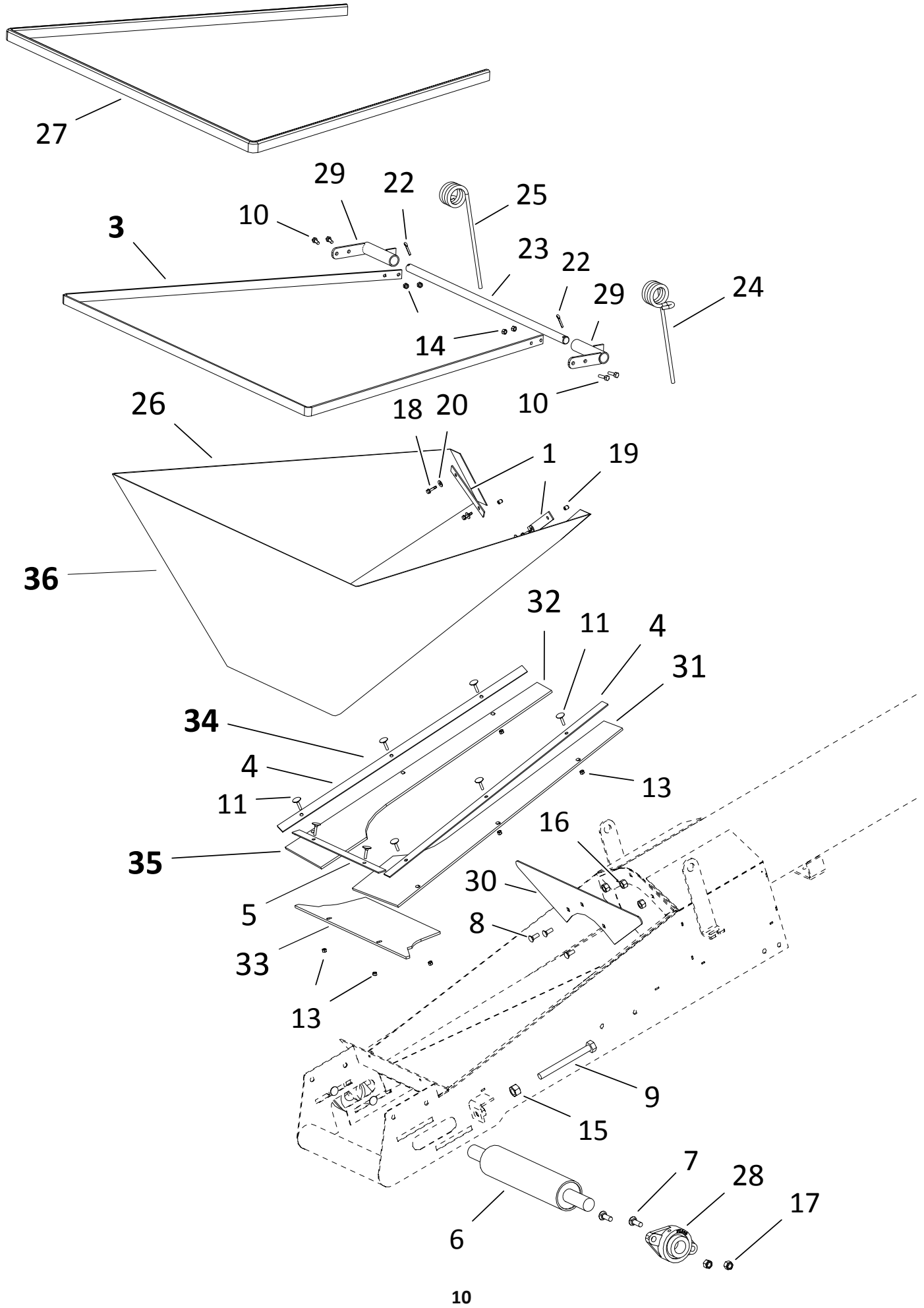
ITEM	PART NO.	DESCRIPTION
1	15000304P	HOPPER -COLLAPSABLE STD
2	13000139	MOVER WHEEL MOVE DRIVE SYS.2.5 AXLE
3	13010008	SUSPENSION BRACKET-NO TABS
4	13030042	13/15 TRACK SLIDER
5	13030100	AXLE 30-45-2-1/2" (WITH 8 LUGS)
6	13031050	13/15 3 Band Track
7	13032094	35/45 SMALL CABLE ATTACH
8	15020044	BT HOPPER 20' W/ BRKTS
9	15020048	SPOUT SECTION 5' W/ MOUNTS
10	15030005	BELT TIGHTNER HITCH
11	15042102	WEATHER GUARD 5' FLR - 61-1/2"
12	15042104	WEATHER GUARD 3' STD - 37-1/2"
13	15042121	WEATHER GUARD 10' - 121-1/2"
14	15070013	SPOUT DRIVE ROLLER-1-1/4" LAGGED
15	150100811	WEATHER GUARD MOUNT BAR KIT-POLY
16	P0113001	CARRIAGE BOLT 1/2"X2" PLATED
17	P0113013	CARRIAGE BOLT 7/16"X1" PLATED
18	P0113020	CARRIAGE BOLT 5/16"X1-1/2"PLATED
19	P0118004	BOLT 1" X 3" GR8 PLATED
20	P0115111	BOLT 3/4" X 2" GR8 PLATED
21	P0118046	BOLT 3/8" X 1" GR8 PLATED
22	P0115303	CAPSCREW 3/8X1-1/4FLT HD SOCKET PTD
23	P0118013	BOLT 1/2"X1 1/2" GR.8 PLATED
24	P0118017	BOLT 1/2"X2-1/2"GRADE 8 PLATED
25	P0118076	BOLT 7/16"X1" GRADE 8 PLATED
26	P0118077	BOLT 7/16"X1-1/2" GRADE 8 PLATED
27	P0131017	NUT 5/16" PLATED GRADE 8
28	P0134026	LOCKNUT-NYLON-3/8" GRADE 8
29	P0134007	LOCKNUT-NYLON-7/16"
30	P0134008	LOCKNUT-NYLON-1/2"
31	P01340101	LOCKNUT-NYLON-5/8" GRADE 8
32	P0134029	LOCKNUT-NYLON-3/4" GRADE 8
33	P0134030	LOCKNUT-NYLON-1" GRADE 8
34	P0141002	TEK SCREW 1/4"X1"
35	P0145002	SET SCREW-7/16"X2-1/2"SQ.HD.
36	P0151006	FLAT WASHER 1/4"PLATED USS
37	P0151009	FLAT WASHER 3/8"PLATED USS
38	P0151026	FLAT WASHER 3/4"SAE
39	P0151031	FLAT WASHER 1"PLATED USS
40	P0152010	LOCK WASHER 5/16"PLATED
41	P0161001	Cotter Pin 1/4 x 2
42	P0161002	COTTER PIN 5/32X1-1/2"PLATED
43	P0162001	HITCH PIN 1/2" X 3" PLATED
44	P0183003	U-BOLT 2-1/2" X 2-1/2" (5/8) PLATED
45	P0614301	TIRE ASSEMBLY-15"X4.5"X4BOLT
46	P0714102	WINCH-1500# BRAKE



1530 TD-15503003

ITEM	PART NO.	DESCRIPTION
47	P1010001	UNI-MOUNT PLATE CAST
48	P1210030	BELT GUIDE BLOCK
49	P1211305	ROLLER 2" NYLON
50	P1211501	HOOD-ROUND 15 SERIES (KANBAN)
51	P1711002	FLANGE UNIT-1-1/4"-SAFL206-20
52	13030001	STRAIGHT TONGUE
53	13030053	1330TD/1335FL Upright Arms
54	13030102	AXLE ARM 30/35TD/45-2-1/2"
55	P2513202P	2" U-CLAMP -PAINTED
56	P2513212P	2" LOCKING U-CLAMP PAINTED
57	P11150181	WG CROSS BAR (NO ROLLER)
58	P0711106	5/16 CABLE-30' (19883) (NOT SHOWN)
59	P1243001	CABLE TIE 14" 120 LB
60	P2227989	MANUAL HOLDER AND LID
62	15570300	1530TD 60' 2"

HOPPER (15000304P)

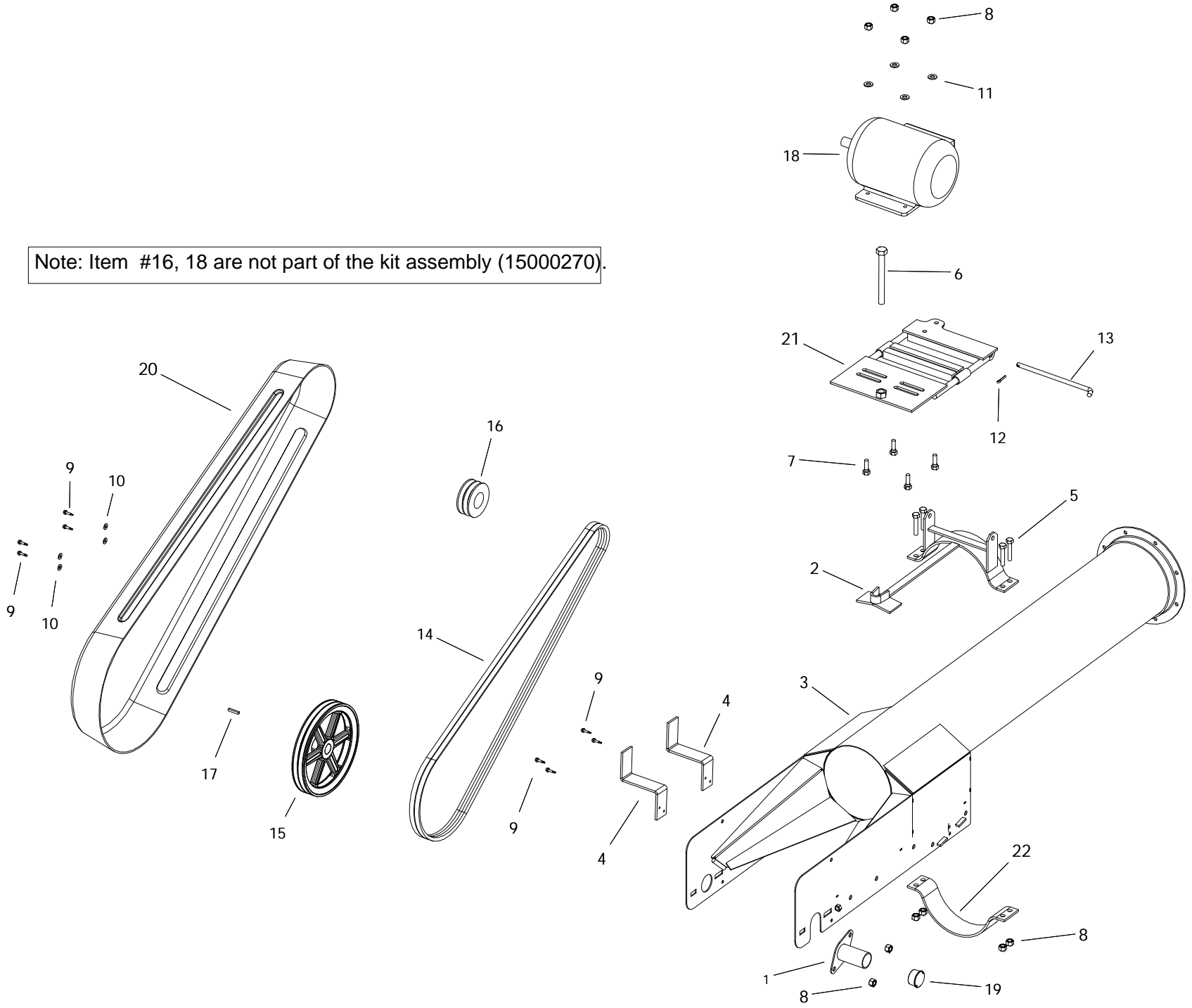


HOPPER (15000304P)

ITEM	PART NO.	DESCRIPTION
1	13052001	LOWER CLOTH FRAME STD BACK
3	15052004	UPPER CLOTH FRAME STD
4	15052101	LOWER CLOTH FRAME STD SIDE
5	15052102	LOWER CLOTH FRAME STD FRONT
6	15070009	HOPPER/SPOUT ROLLER LAGGED
7	P0113004	CARRIAGE BOLT 1/2"X1-1/2"PLATED
8	P0113015	CARRIAGE BOLT 3/8"X1" PLATED
9	P0114007	TAP BOLT 3/4 X 7 PLATED
10	P0118061	BOLT 5/16" X 1" GR8 PLATED
11	P0116001	ELEVATOR BOLT 1/4"X1-1/4"
13	P0131016	NUT 1/4" PLATED GRADE 8
14	P0131017	NUT 5/16" PLATED GRADE 8
15	P0131019	NUT 3/4" PLATED GRADE 8
16	P0134026	LOCKNUT-NYLON-3/8" GRADE 8
17	P0134008	LOCKNUT-NYLON-1/2"
18	P0141002	TEK SCREW 1/4"X1"
19	P0145001	VINYL SCREW CAP
20	P0151006	FLAT WASHER 1/4"PLATED USS
22	P0161003	COTTER PIN 3/16"X1-1/2"PLATED
23	P0162007	HOPPER PIVOT SHAFT-13/15
24	P0521001	HOPPER SPRING-L
25	P0521002	HOPPER SPRING-R
26	P1621007	HOPPER CANVAS-15 CONV.
27	P1641015	TRIM LOCK
28	P1711001	FLANGE UNIT-1-1/2"-SAFL208-24
29	P2515017	PIVOT SHAFT BRACKET
30	P11150047	HOPPER SHIELD
31	P19159000	HOPPER LEFT FLASHING STD
32	P19159001	HOPPER RIGHT FLASHING STD
33	P19159002	HOPPER FRONT FLASHING STD
34	15000314	HOPPER -LINER KIT STD
35	15000306P	HOPPER -FLASHING ONLY STD
36	15000304P	HOPPER -COLLAPSABLE STD

ELECTRIC DRIVE KIT (15000270)

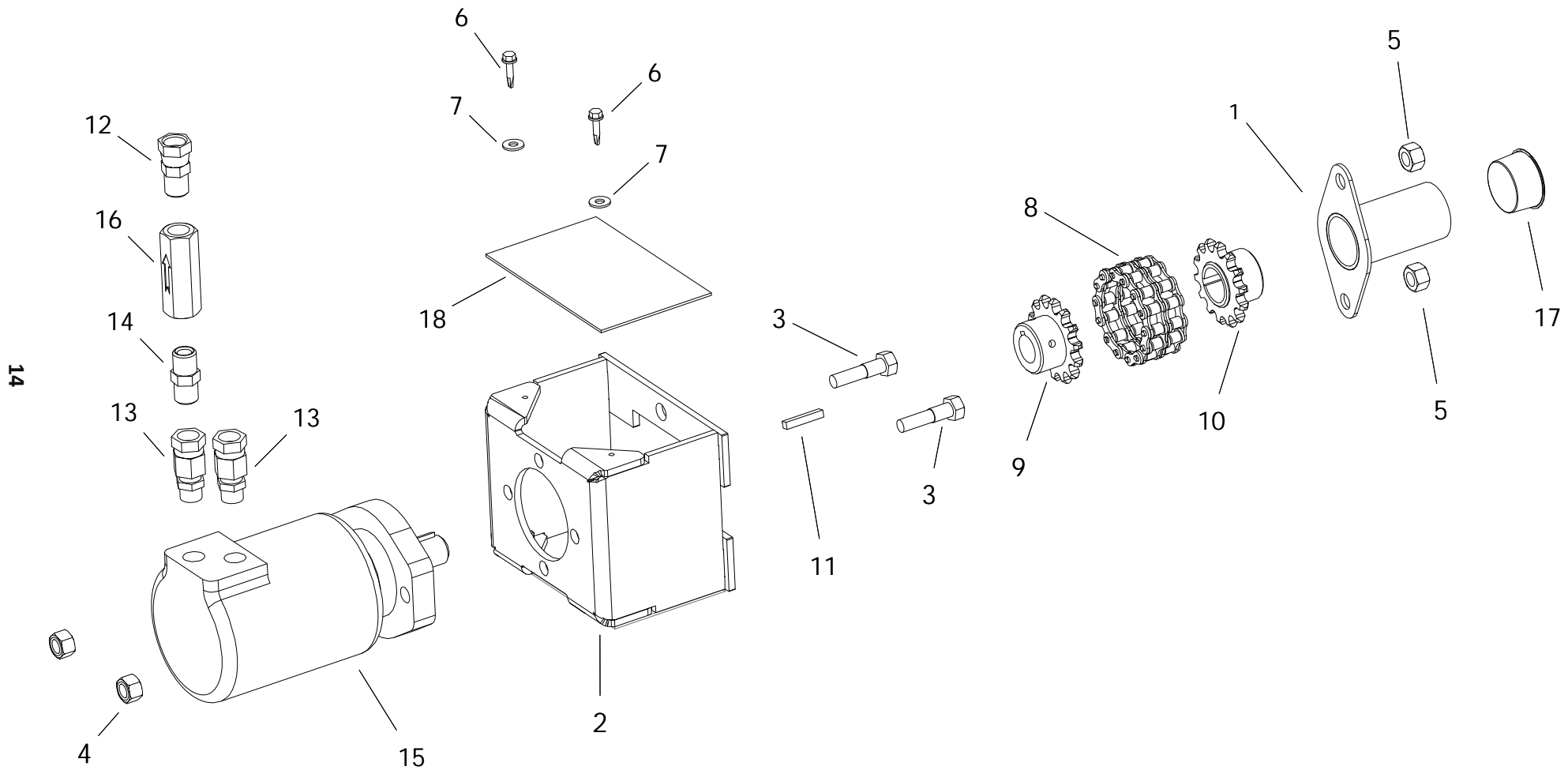
Note: Item #16, 18 are not part of the kit assembly (15000270).



ELECTRIC DRIVE KIT (15000270)

ITEM	PART NO.	DESCRIPTION
1	13041038	SHAFT GUARD(FL-206)
2	13060004	ELECTRIC MOTOR CLAMP
3	15020006	TRANSFER SPOUT 60"
4	25013011	PIT GUARD MOUNT
5	P0114005	TAP BOLT 1/2 X 2-1/2 GR.8 PLATED
6	P0114007	TAP BOLT 3/4 X 7 PLATED
7	P0118017	BOLT 1/2"X2-1/2"GRADE 8 PLATED
8	P0134008	LOCKNUT-NYLON-1/2"
9	P0141002	TEK SCREW 1/4"X1"
10	P0151006	FLAT WASHER 1/4"PLATED USS
11	P0151025	FLAT WASHER 1/2" PLATED USS
12	P0161003	COTTER PIN 3/16"X1-1/2"PLATED
13	P0162005	PIN-ELECT.MTR.MNT-SHORT
14	P0321103	BELT B103
15	P0328007	PULLEY-DBL-B-12" W/1-1/4"BORE
16	P0328018	PULLEY-DBL-BK-4"H
17	P0391003	KEY 1/4" X 1-1/2" LONG
18	P0931020	MOTOR 5HP
19	P1210032	FL-206 SHAFT GUARD PLUG
20	P1211803	PIT GUARD
21	13060037	ELECTRIC MOTOR MOUNT BASE
22	P2513203P	3" U-CLAMP PAINTED

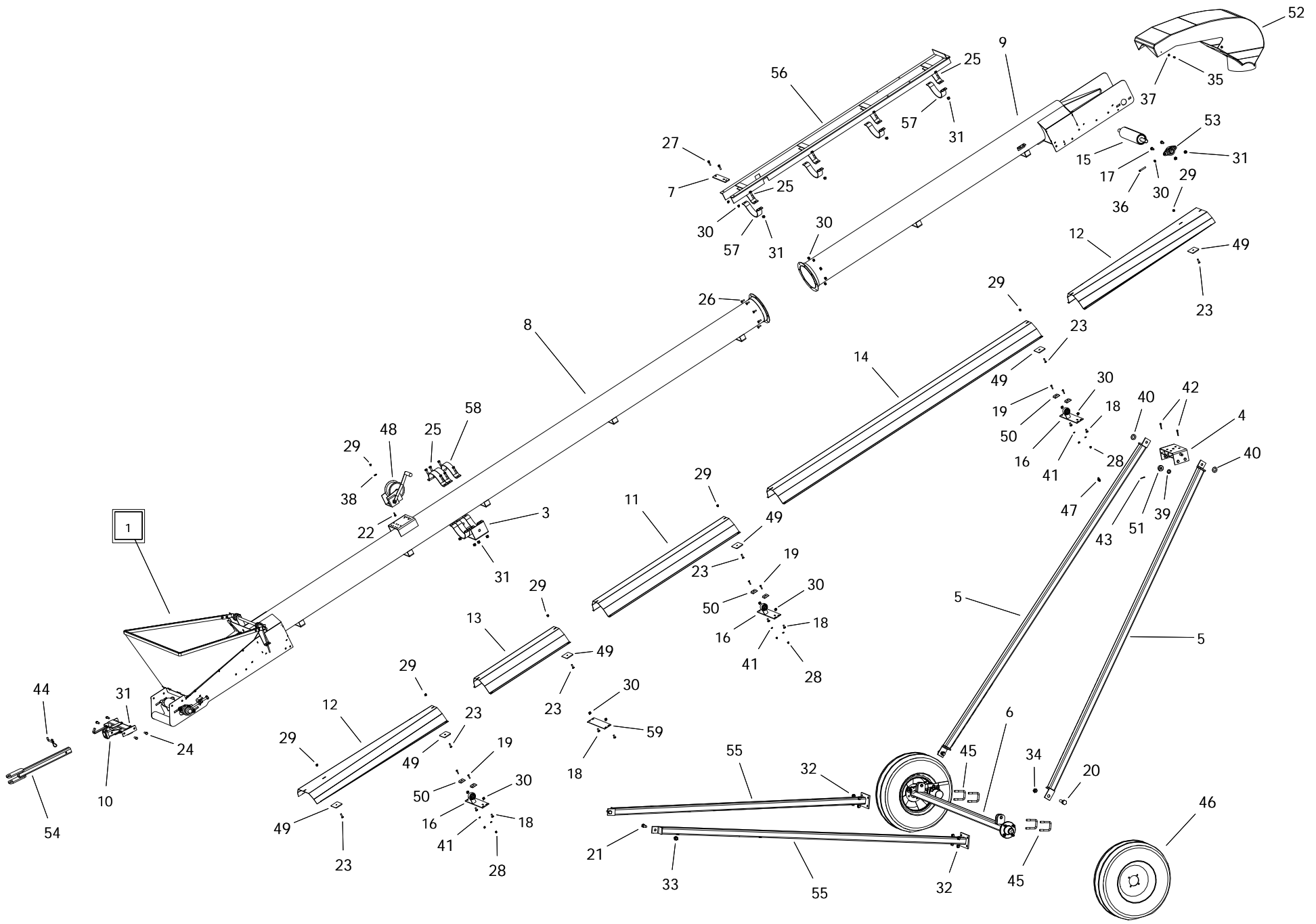
HYDRAULIC DRIVE KIT FOR 1814LP & TD (18000281)



14

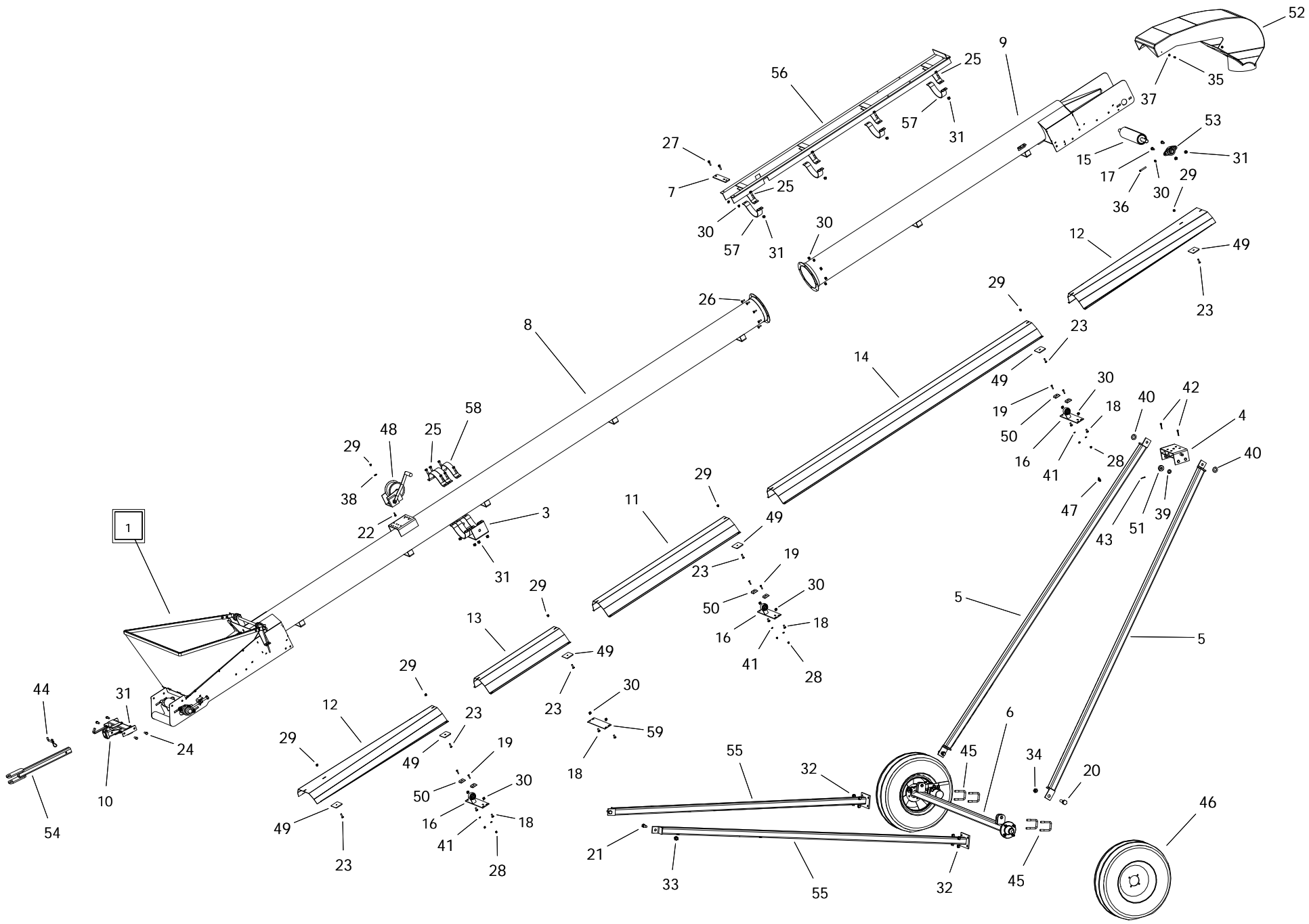
HYDRAULIC DRIVE KIT FOR 1814LP & TD (18000281)

ITEM	PART NO.	DESCRIPTION
1	13041038	SHAFT GUARD(FL-206)
2	25060003	2000 SERIES PITSTOP MOUNT
3	P0118016	BOLT 1/2" X 2" GR8 PLATED
4	P0134008	LOCKNUT-NYLON-1/2"
5	P0134008	LOCKNUT-NYLON-1/2"
6	P0141002	TEK SCREW 1/4"X1"
7	P0151006	FLAT WASHER 1/4"PLATED USS
8	P0311001	ROLLER CHAIN FOR DRIVE(50-2RX14+CL)
9	P0335140	SPROCKET 5014 1.0(KEY0.25)
10	P0335141	SPROCKET 5014 1.25(KEY0.25)
11	P0391003	KEY 1/4" X 1-1/2" LONG
12	P0821112	SWIVEL-1/2" STRAIGHT
13	P0821114	SWIVEL-10ORBX1/2"FS
14	P0821133	HEX NIPPLE-1/2"
15	P0841019	HYD MOTOR-6.2-2000-1"
16	P0861035	CHECK VALVE-1/2" (NO HOLE)
17	P1210032	FL-206 SHAFT GUARD PLUG
18	P1210100	1 1/4 HYDMTR GUARD 4.5 X 6.5



1535 TD-15503503

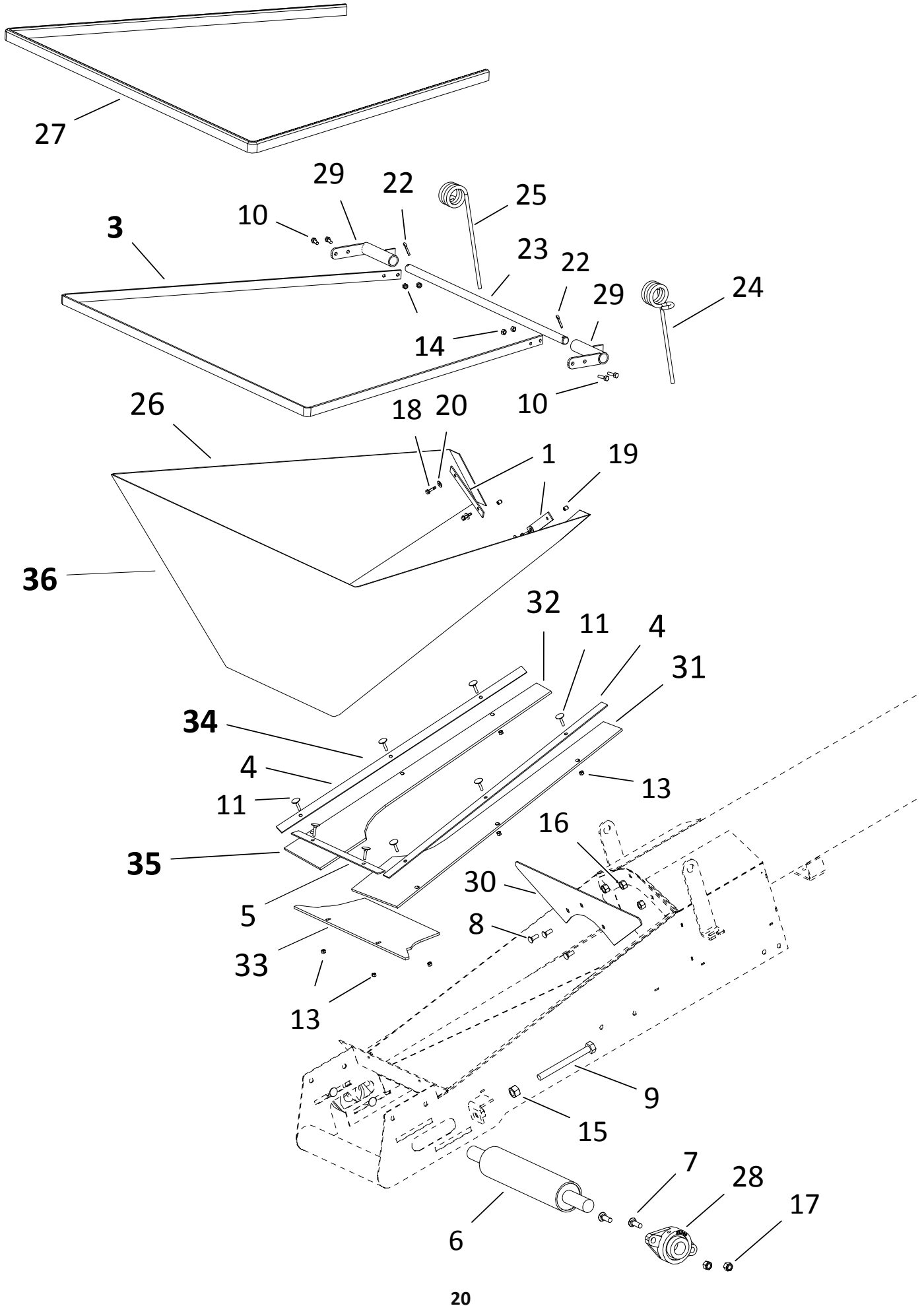
ITEM	PART NO.	DESCRIPTION
1	15000304P	HOPPER -COLLAPSABLE STD
2	13000139	MOVER WHEEL MOVE DRIVE SYS.2.5 AXLE
3	13010008	SUSPENSION BRACKET-NO TABS
4	13030042	13/15 TRACK SLIDER
5	13030024	UPRIGHT ARM 35TD-1345
6	13030100	AXLE 30-45-2-1/2" (WITH 8 LUGS)
7	13032094	35/45 SMALL CABLE ATTACH
8	15020044	BT HOPPER 20' W/ BRKTS
9	15020049	SPOUT SECTION 10' W/ RTRN MOUNTS
10	15030005	BELT TIGHTNER HITCH
11	15042101	WEATHER GUARD 5' - 61-1/2"
12	15042102	WEATHER GUARD 5' FLR - 61-1/2"
13	15042104	WEATHER GUARD 3' STD - 37-1/2"
14	15042121	WEATHER GUARD 10' - 121-1/2"
15	15070013	SPOUT DRIVE ROLLER-1-1/4" LAGGED
16	150100811	WEATHER GUARD MOUNT BAR KIT-POLY
17	P0113001	CARRIAGE BOLT 1/2"X2" PLATED
18	P0113013	CARRIAGE BOLT 7/16"X1" PLATED
19	P0113020	CARRIAGE BOLT 5/16"X1-1/2"PLATED
20	P0118004	BOLT 1" X 3" GR8 PLATED
21	P0115111	BOLT 3/4" X 2" GR8 PLATED
22	P0118046	BOLT 3/8" X 1" GR8 PLATED
23	P0115303	CAPSCREW 3/8X1-1/4FLT HD SOCKET PTD
24	P0118013	BOLT 1/2"X1 1/2" GR.8 PLATED
25	P0118017	BOLT 1/2"X2-1/2"GRADE 8 PLATED
26	P0118076	BOLT 7/16"X1" GRADE 8 PLATED
27	P0118077	BOLT 7/16"X1-1/2" GRADE 8 PLATED
28	P0131017	NUT 5/16" PLATED GRADE 8
29	P0134026	LOCKNUT-NYLON-3/8" GRADE 8
30	P0134007	LOCKNUT-NYLON-7/16"
31	P0134008	LOCKNUT-NYLON-1/2"
32	P01340101	LOCKNUT-NYLON-5/8" GRADE 8
33	P0134029	LOCKNUT-NYLON-3/4" GRADE 8
34	P0134030	LOCKNUT-NYLON-1" GRADE 8
35	P0141002	TEK SCREW 1/4"X1"
36	P0145002	SET SCREW-7/16"X2-1/2"SQ.HD.
37	P0151006	FLAT WASHER 1/4"PLATED USS
38	P0151009	FLAT WASHER 3/8"PLATED USS
39	P0151026	FLAT WASHER 3/4"SAE
40	P0151027	FLAT WASHER 1"SAE
41	P0152010	LOCK WASHER 5/16"PLATED
42	P0161001	Cotter Pin 1/4 x 2
43	P0161002	COTTER PIN 5/32X1-1/2"PLATED
44	P0162001	HITCH PIN 1/2" X 3" PLATED
45	P0183003	U-BOLT 2-1/2" X 2-1/2" (5/8) PLATED
46	P0614301	TIRE ASSEMBLY-15"X4.5"X4BOLT



1535 TD-15503503

ITEM	PART NO.	DESCRIPTION
47	P0712105	CABLE CLAMP-5/16" GALV.
48	P0714102	WINCH-1500# BRAKE
49	P1010001	UNI-MOUNT PLATE CAST
50	P1210030	BELT GUIDE BLOCK
51	P1211305	ROLLER 2" NYLON
52	P1211501	HOOD-ROUND 15 SERIES (KANBAN)
53	P1711002	FLANGE UNIT-1-1/4"-SAFL206-20
54	13030001	STRAIGHT TONGUE
55	13030102	AXLE ARM 30/35TD/45-2-1/2"
56	13031020	13/15 4 BAND TRACK
57	P2513202P	2" U-CLAMP -PAINTED
58	P2513212P	2" LOCKING U-CLAMP PAINTED
59	P11150181	WG CROSS BAR (NO ROLLER)
60	P0711107	5/16" CABLE-40' (19884)
61	P1243001	CABLE TIE 14" 120 LB
62	P2227989	MANUAL HOLDER AND LID
63	15570350	BELT ASM 35TD (70'2") INC PINS/CLI

HOPPER (15000304P)

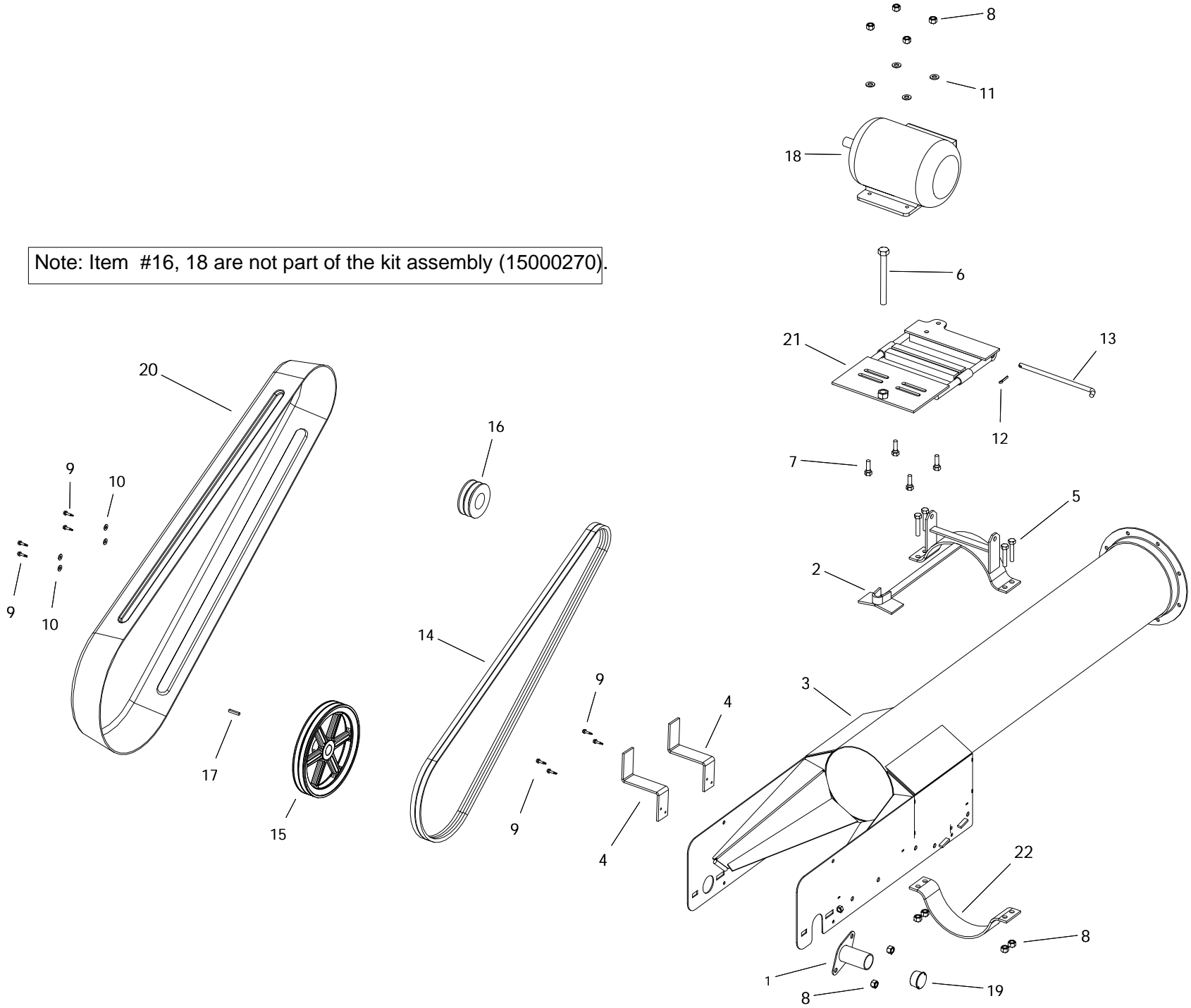


HOPPER (15000304P)

ITEM	PART NO.	DESCRIPTION
1	13052001	LOWER CLOTH FRAME STD BACK
3	15052004	UPPER CLOTH FRAME STD
4	15052101	LOWER CLOTH FRAME STD SIDE
5	15052102	LOWER CLOTH FRAME STD FRONT
6	15070009	HOPPER/SPOUT ROLLER LAGGED
7	P0113004	CARRIAGE BOLT 1/2"X1-1/2"PLATED
8	P0113015	CARRIAGE BOLT 3/8"X1" PLATED
9	P0114007	TAP BOLT 3/4 X 7 PLATED
10	P0118061	BOLT 5/16" X 1" GR8 PLATED
11	P0116001	ELEVATOR BOLT 1/4"X1-1/4"
13	P0131016	NUT 1/4" PLATED GRADE 8
14	P0131017	NUT 5/16" PLATED GRADE 8
15	P0131019	NUT 3/4" PLATED GRADE 8
16	P0134026	LOCKNUT-NYLON-3/8" GRADE 8
17	P0134008	LOCKNUT-NYLON-1/2"
18	P0141002	TEK SCREW 1/4"X1"
19	P0145001	VINYL SCREW CAP
20	P0151006	FLAT WASHER 1/4"PLATED USS
22	P0161003	COTTER PIN 3/16"X1-1/2"PLATED
23	P0162007	HOPPER PIVOT SHAFT-13/15
24	P0521001	HOPPER SPRING-L
25	P0521002	HOPPER SPRING-R
26	P1621007	HOPPER CANVAS-15 CONV.
27	P1641015	TRIM LOCK
28	P1711001	FLANGE UNIT-1-1/2"-SAFL208-24
29	P2515017	PIVOT SHAFT BRACKET
30	P11150047	HOPPER SHIELD
31	P19159000	HOPPER LEFT FLASHING STD
32	P19159001	HOPPER RIGHT FLASHING STD
33	P19159002	HOPPER FRONT FLASHING STD
34	15000314	HOPPER -LINER KIT STD
35	15000306P	HOPPER -FLASHING ONLY STD
36	15000304P	HOPPER -COLLAPSABLE STD

ELECTRIC DRIVE KIT (15000270)

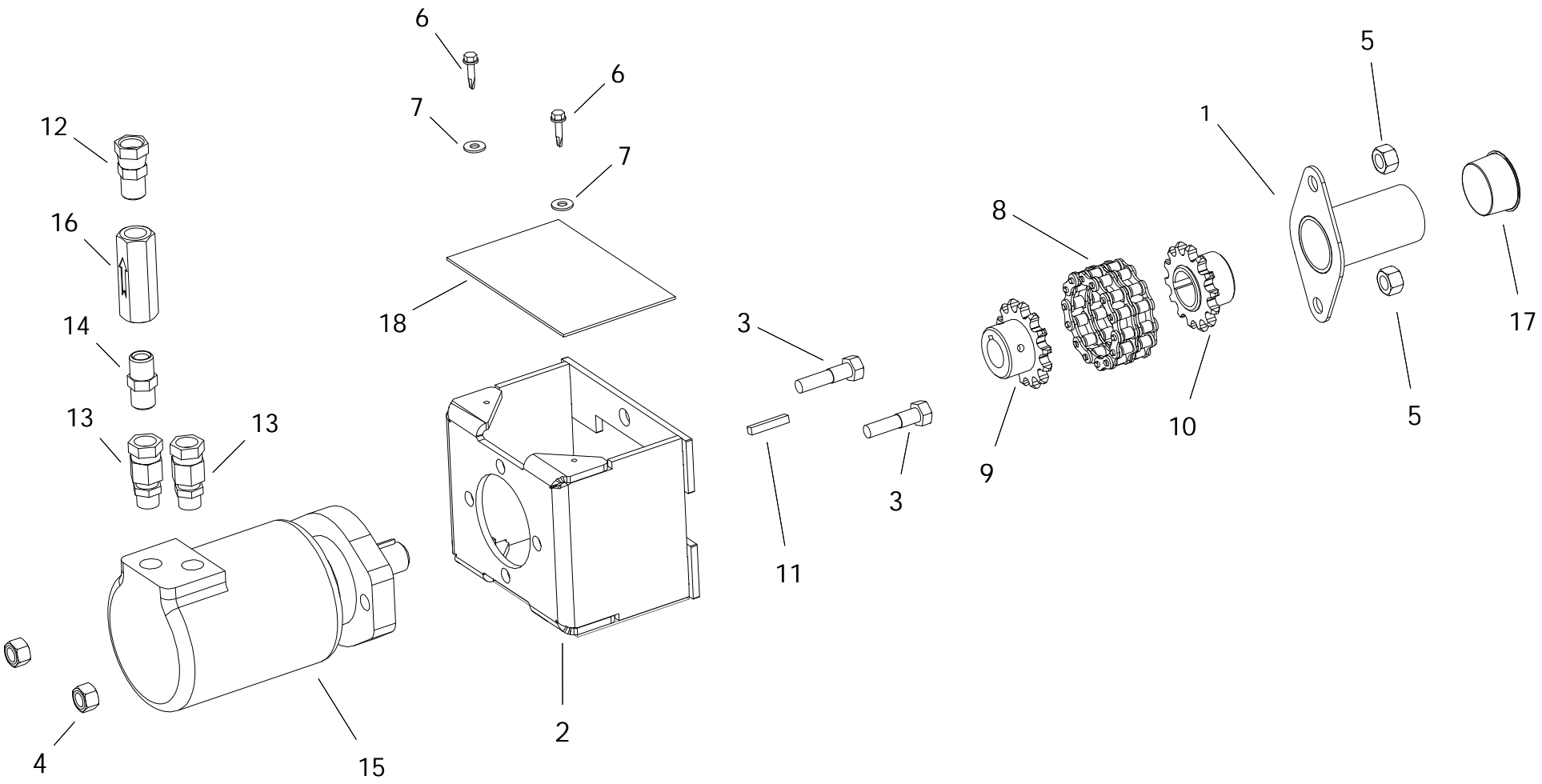
Note: Item #16, 18 are not part of the kit assembly (15000270).



ELECTRIC DRIVE KIT (15000270)

ITEM	PART NO.	DESCRIPTION
1	13041038	SHAFT GUARD(FL-206)
2	13060004	ELECTRIC MOTOR CLAMP
3	15020006	TRANSFER SPOUT 60"
4	25013011	PIT GUARD MOUNT
5	P0114005	TAP BOLT 1/2 X 2-1/2 GR.8 PLATED
6	P0114007	TAP BOLT 3/4 X 7 PLATED
7	P0118017	BOLT 1/2"X2-1/2"GRADE 8 PLATED
8	P0134008	LOCKNUT-NYLON-1/2"
9	P0141002	TEK SCREW 1/4"X1"
10	P0151006	FLAT WASHER 1/4"PLATED USS
11	P0151025	FLAT WASHER 1/2" PLATED USS
12	P0161003	COTTER PIN 3/16"X1-1/2"PLATED
13	P0162005	PIN-ELECT.MTR.MNT-SHORT
14	P0321103	BELT B103
15	P0328007	PULLEY-DBL-B-12" W/1-1/4"BORE
16	P0328018	PULLEY-DBL-BK-4"H
17	P0391003	KEY 1/4" X 1-1/2" LONG
18	P0931020	MOTOR 5HP
19	P1210032	FL-206 SHAFT GUARD PLUG
20	P1211803	PIT GUARD
21	13060037	ELECTRIC MOTOR MOUNT BASE
22	P2513203P	3" U-CLAMP PAINTED

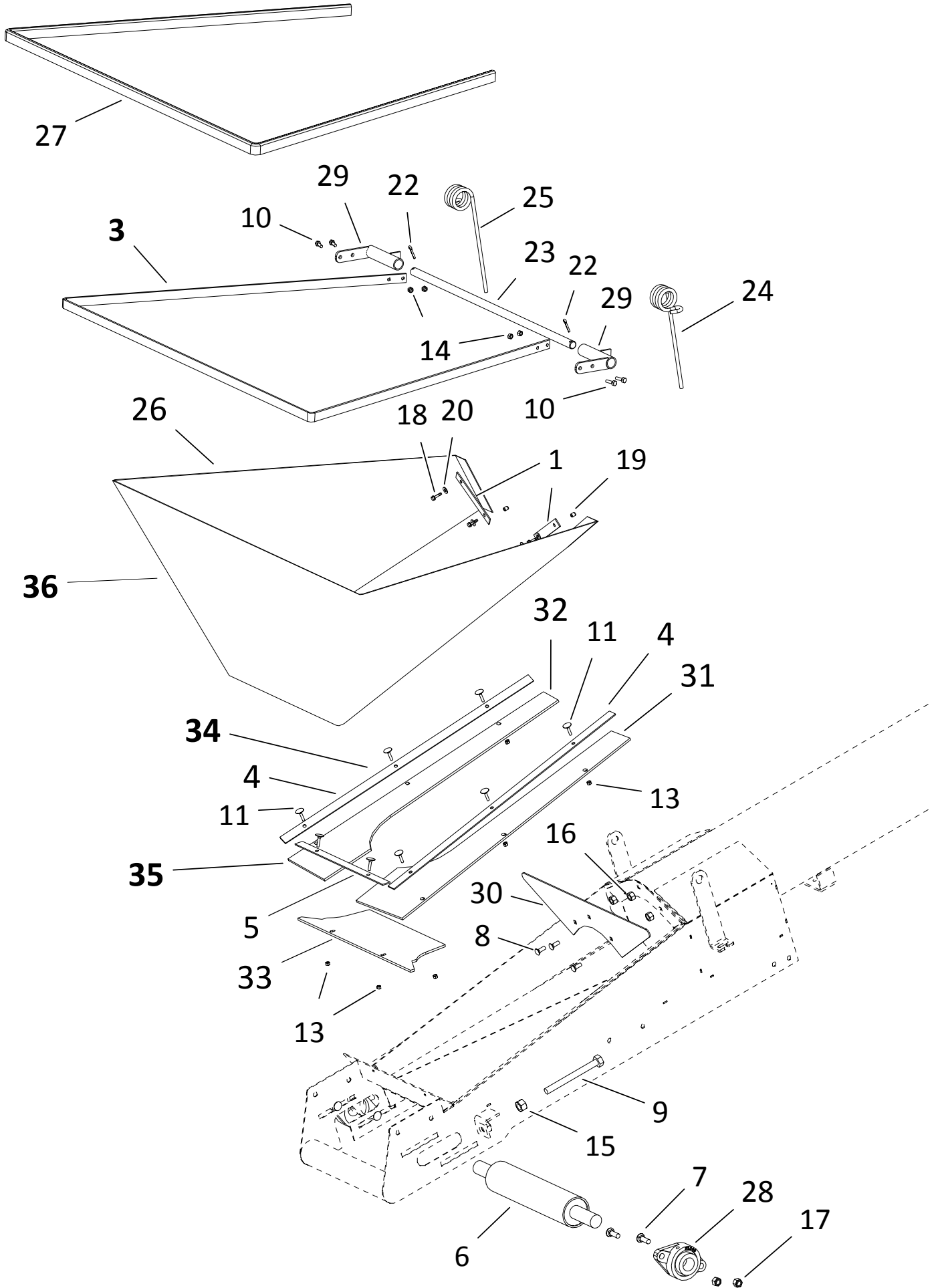
HYDRAULIC DRIVE KIT FOR 1814LP & TD (18000281)



HYDRAULIC DRIVE KIT FOR 1814LP & TD (18000281)

ITEM	PART NO.	DESCRIPTION
1	13041038	SHAFT GUARD(FL-206)
2	25060003	2000 SERIES PITSTOP MOUNT
3	P0118016	BOLT 1/2" X 2" GR8 PLATED
4	P0134008	LOCKNUT-NYLON-1/2"
5	P0134008	LOCKNUT-NYLON-1/2"
6	P0141002	TEK SCREW 1/4"X1"
7	P0151006	FLAT WASHER 1/4"PLATED USS
8	P0311001	ROLLER CHAIN FOR DRIVE(50-2RX14+CL)
9	P0335140	SPROCKET 5014 1.0(KEY0.25)
10	P0335141	SPROCKET 5014 1.25(KEY0.25)
11	P0391003	KEY 1/4" X 1-1/2" LONG
12	P0821112	SWIVEL-1/2" STRAIGHT
13	P0821114	SWIVEL-10ORBX1/2"FS
14	P0821133	HEX NIPPLE-1/2"
15	P0841019	HYD MOTOR-6.2-2000-1"
16	P0861035	CHECK VALVE-1/2" (NO HOLE)
17	P1210032	FL-206 SHAFT GUARD PLUG
18	P1210100	1 1/4 HYDMTR GUARD 4.5 X 6.5

HOPPER (15000304P)

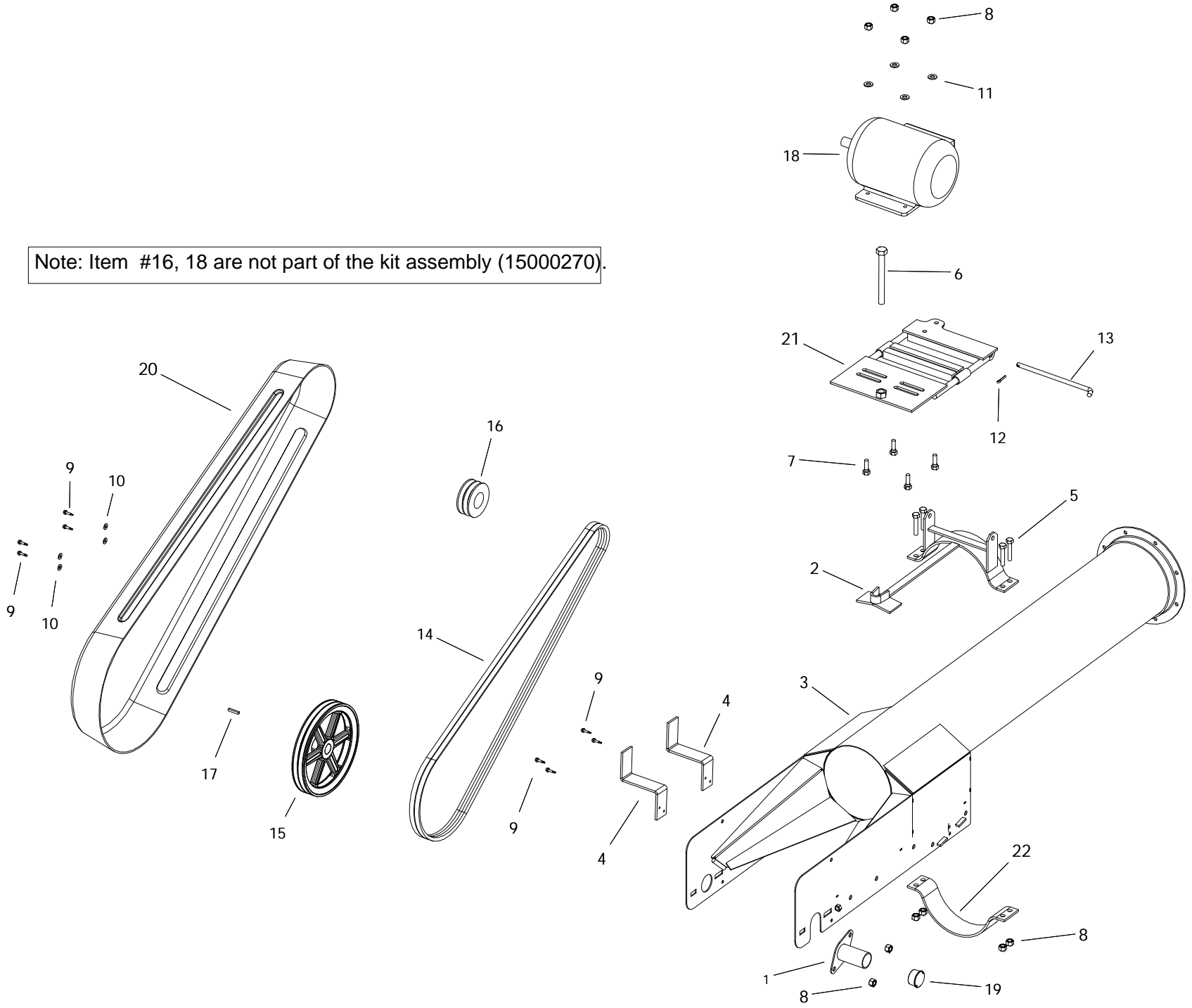


HOPPER (15000304P)

ITEM	PART NO.	DESCRIPTION
1	13052001	LOWER CLOTH FRAME STD BACK
3	15052004	UPPER CLOTH FRAME STD
4	15052101	LOWER CLOTH FRAME STD SIDE
5	15052102	LOWER CLOTH FRAME STD FRONT
6	15070009	HOPPER/SPOUT ROLLER LAGGED
7	P0113004	CARRIAGE BOLT 1/2"X1-1/2"PLATED
8	P0113015	CARRIAGE BOLT 3/8"X1" PLATED
9	P0114007	TAP BOLT 3/4 X 7 PLATED
10	P0118061	BOLT 5/16" X 1" GR8 PLATED
11	P0116001	ELEVATOR BOLT 1/4"X1-1/4"
13	P0131016	NUT 1/4" PLATED GRADE 8
14	P0131017	NUT 5/16" PLATED GRADE 8
15	P0131019	NUT 3/4" PLATED GRADE 8
16	P0134026	LOCKNUT-NYLON-3/8" GRADE 8
17	P0134008	LOCKNUT-NYLON-1/2"
18	P0141002	TEK SCREW 1/4"X1"
19	P0145001	VINYL SCREW CAP
20	P0151006	FLAT WASHER 1/4"PLATED USS
22	P0161003	COTTER PIN 3/16"X1-1/2"PLATED
23	P0162007	HOPPER PIVOT SHAFT-13/15
24	P0521001	HOPPER SPRING-L
25	P0521002	HOPPER SPRING-R
26	P1621007	HOPPER CANVAS-15 CONV.
27	P1641015	TRIM LOCK
28	P1711001	FLANGE UNIT-1-1/2"-SAFL208-24
29	P2515017	PIVOT SHAFT BRACKET
30	P11150047	HOPPER SHIELD
31	P19159000	HOPPER LEFT FLASHING STD
32	P19159001	HOPPER RIGHT FLASHING STD
33	P19159002	HOPPER FRONT FLASHING STD
34	15000314	HOPPER -LINER KIT STD
35	15000306P	HOPPER -FLASHING ONLY STD
36	15000304P	HOPPER -COLLAPSABLE STD

ELECTRIC DRIVE KIT (15000270)

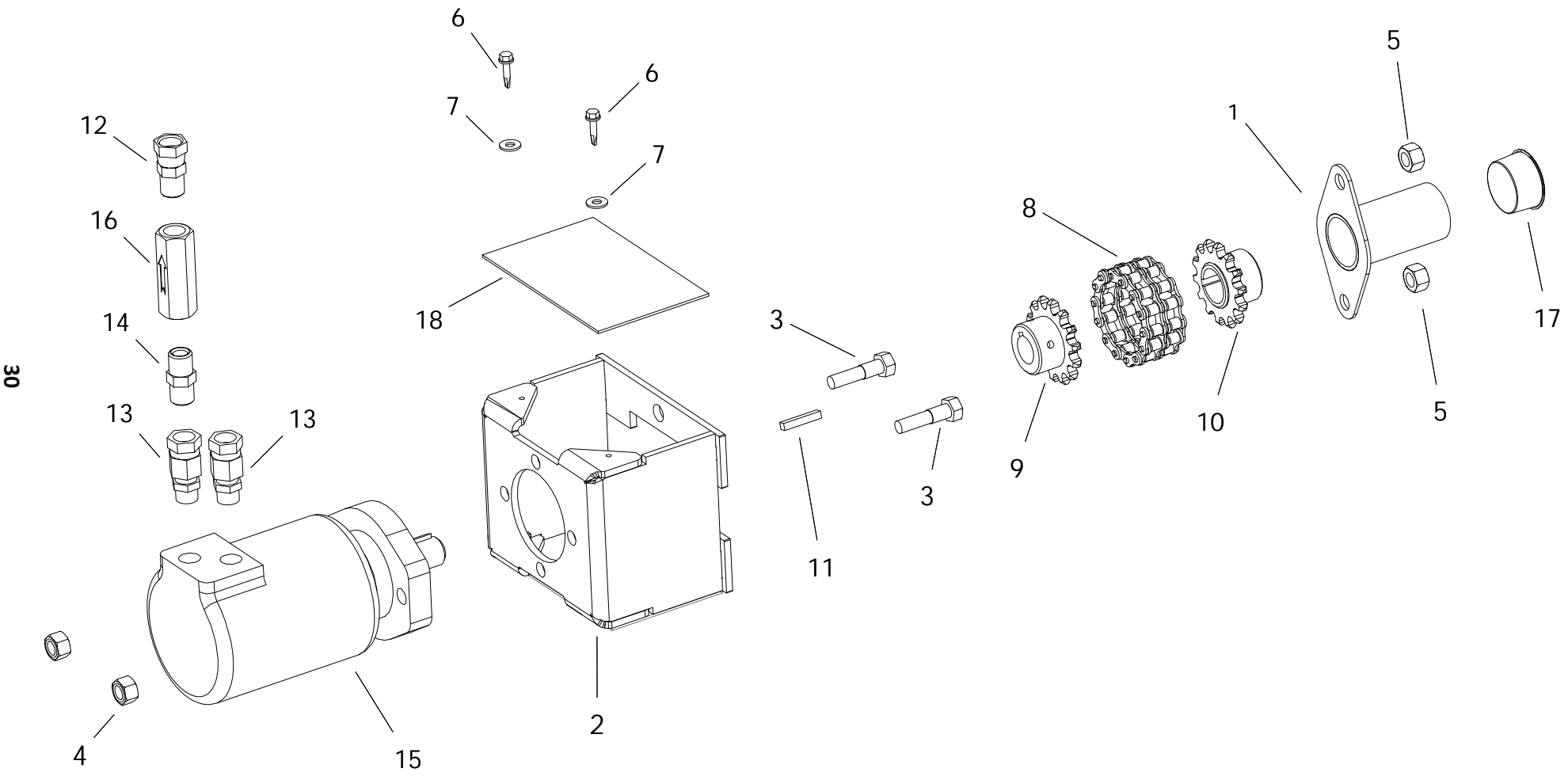
Note: Item #16, 18 are not part of the kit assembly (15000270).



ELECTRIC DRIVE KIT (15000270)

ITEM	PART NO.	DESCRIPTION
1	13041038	SHAFT GUARD(FL-206)
2	13060004	ELECTRIC MOTOR CLAMP
3	15020006	TRANSFER SPOUT 60"
4	25013011	PIT GUARD MOUNT
5	P0114005	TAP BOLT 1/2 X 2-1/2 GR.8 PLATED
6	P0114007	TAP BOLT 3/4 X 7 PLATED
7	P0118017	BOLT 1/2"X2-1/2"GRADE 8 PLATED
8	P0134008	LOCKNUT-NYLON-1/2"
9	P0141002	TEK SCREW 1/4"X1"
10	P0151006	FLAT WASHER 1/4"PLATED USS
11	P0151025	FLAT WASHER 1/2" PLATED USS
12	P0161003	COTTER PIN 3/16"X1-1/2"PLATED
13	P0162005	PIN-ELECT.MTR.MNT-SHORT
14	P0321103	BELT B103
15	P0328007	PULLEY-DBL-B-12" W/1-1/4"BORE
16	P0328018	PULLEY-DBL-BK-4"H
17	P0391003	KEY 1/4" X 1-1/2" LONG
18	P0931020	MOTOR 5HP
19	P1210032	FL-206 SHAFT GUARD PLUG
20	P1211803	PIT GUARD
21	13060037	ELECTRIC MOTOR MOUNT BASE
22	P2513203P	3" U-CLAMP PAINTED

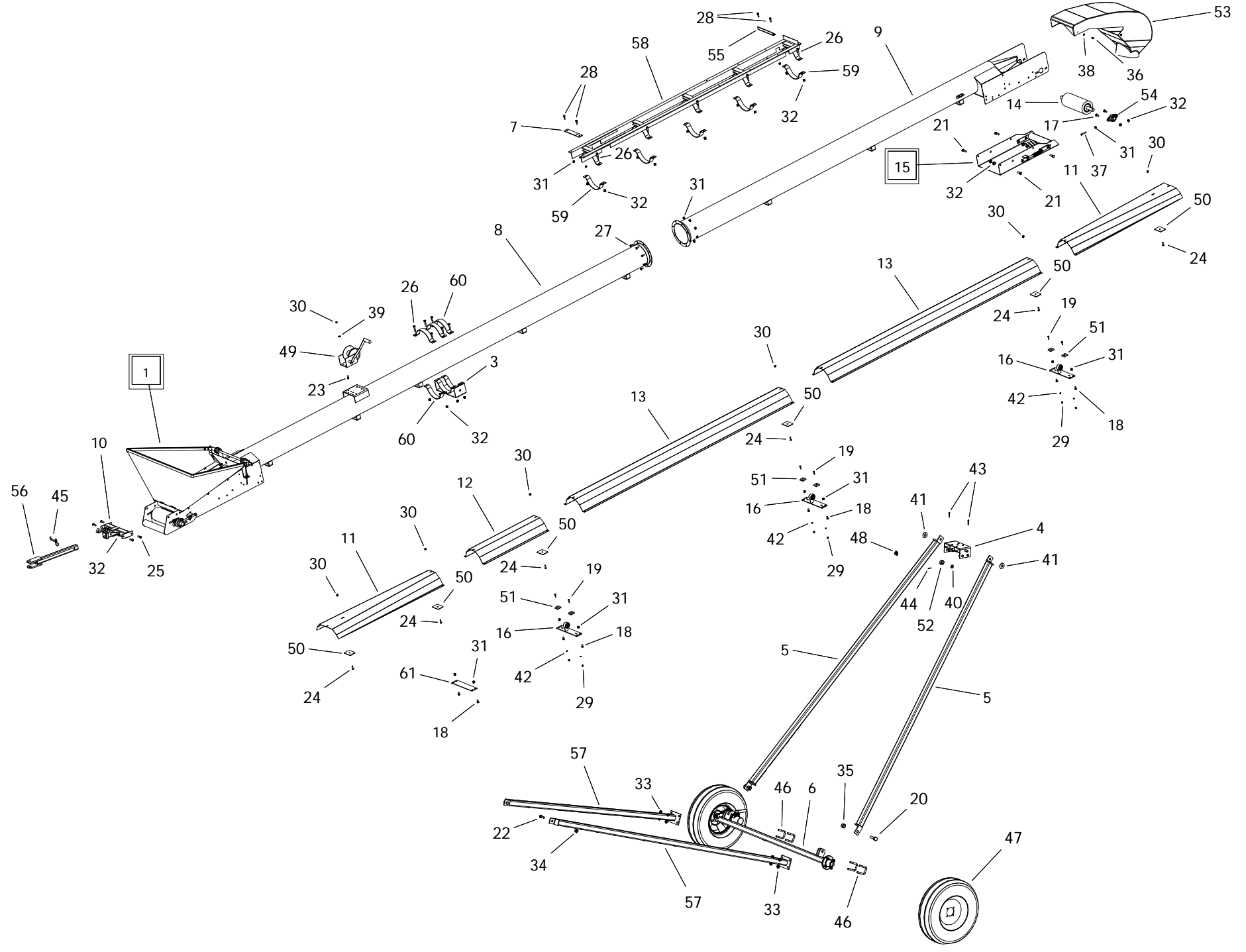
HYDRAULIC DRIVE KIT FOR 1814LP & TD (18000281)



HYDRAULIC DRIVE KIT FOR 1814LP & TD (18000281)

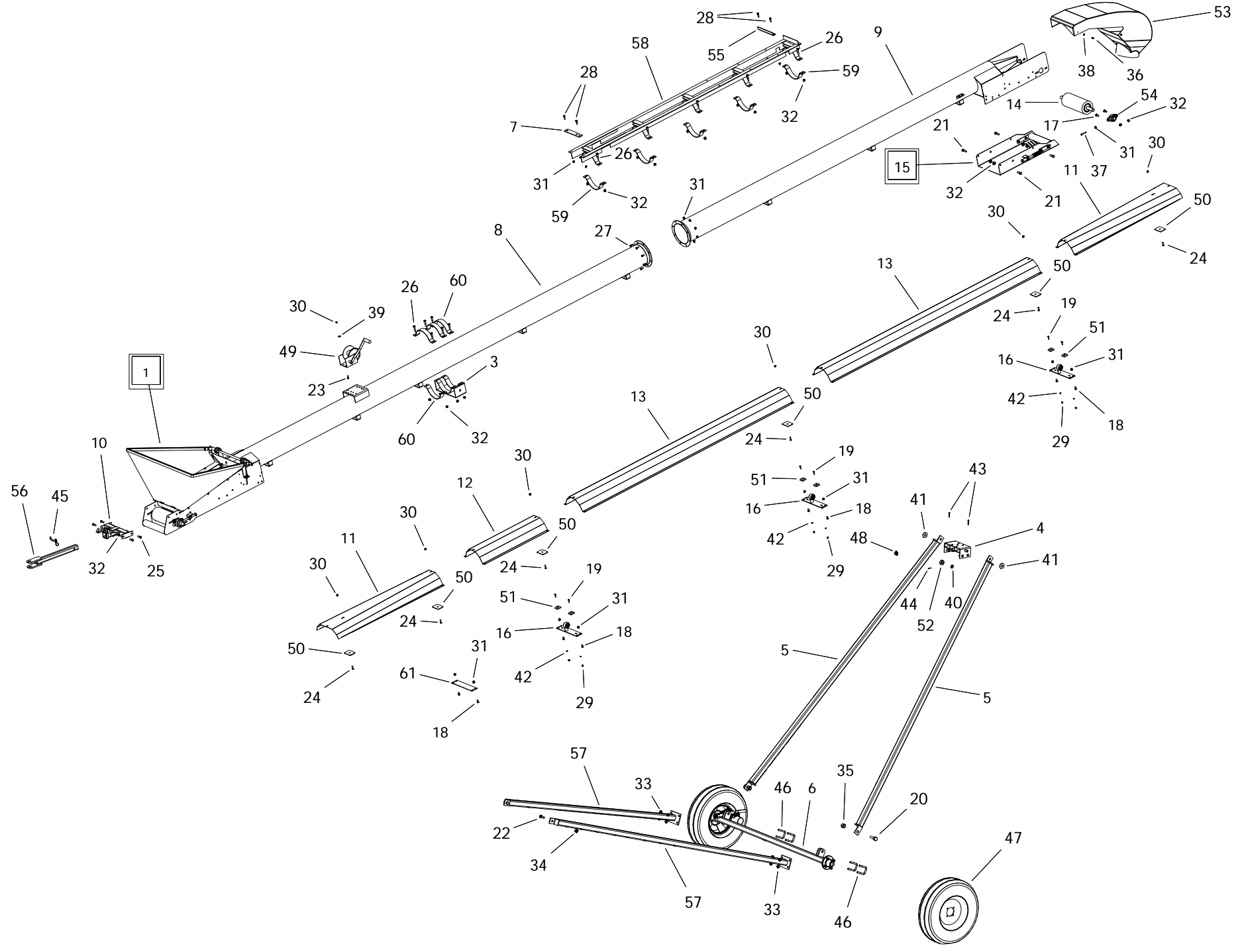
ITEM	PART NO.	DESCRIPTION
1	13041038	SHAFT GUARD(FL-206)
2	25060003	2000 SERIES PITSTOP MOUNT
3	P0118016	BOLT 1/2" X 2" GR8 PLATED
4	P0134008	LOCKNUT-NYLON-1/2"
5	P0134008	LOCKNUT-NYLON-1/2"
6	P0141002	TEK SCREW 1/4"X1"
7	P0151006	FLAT WASHER 1/4"PLATED USS
8	P0311001	ROLLER CHAIN FOR DRIVE(50-2RX14+CL)
9	P0335140	SPROCKET 5014 1.0(KEY0.25)
10	P0335141	SPROCKET 5014 1.25(KEY0.25)
11	P0391003	KEY 1/4" X 1-1/2" LONG
12	P0821112	SWIVEL-1/2" STRAIGHT
13	P0821114	SWIVEL-10ORBx1/2"FS
14	P0821133	HEX NIPPLE-1/2"
15	P0841019	HYD MOTOR-6.2-2000-1"
16	P0861035	CHECK VALVE-1/2" (NO HOLE)
17	P1210032	FL-206 SHAFT GUARD PLUG
18	P1210100	1 1/4 HYDMTR GUARD 4.5 X 6.5

32



1540 TD-15504053

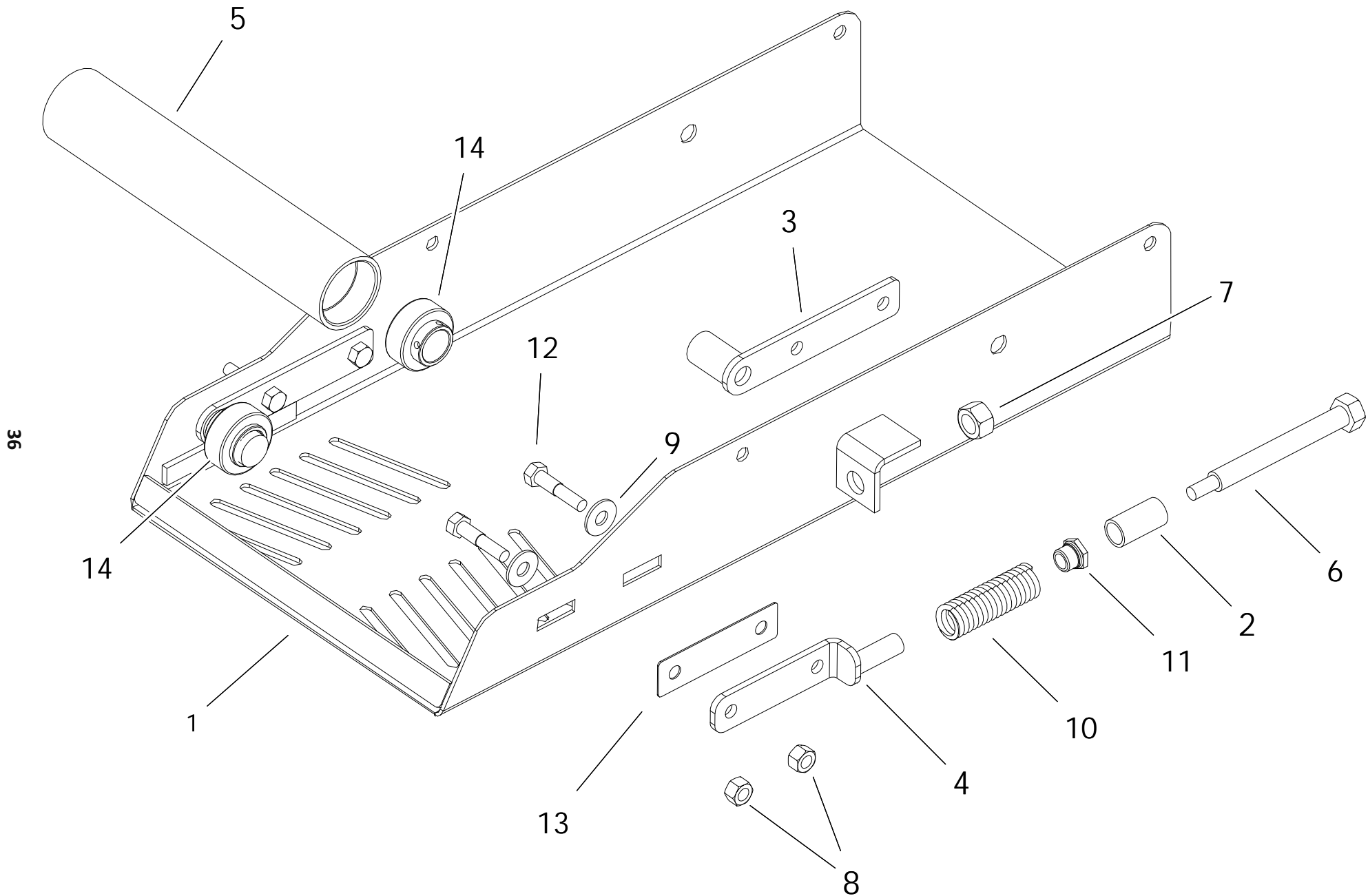
ITEM	PART NO.	DESCRIPTION
1	15000304P	HOPPER -COLLAPSABLE STD
2	13000139	MOVER WHEEL MOVE DRIVE SYS.2.5 AXLE
3	13010008	SUSPENSION BRACKET-NO TABS
4	13030042	13/15 TRACK SLIDER
5	13030024	UPRIGHT ARM 35TD-1345
6	13030100	AXLE 30-45-2-1/2" (WITH 8 LUGS)
7	13032094	35/45 SMALL CABLE ATTACH
8	15020044	BT HOPPER 20' W/ BRKTS
9	15020050	SPOUT SECTION 15' W/ RTRN MOUNTS
10	15030005	BELT TIGHTNER HITCH
11	15042102	WEATHER GUARD 5' FLR - 61-1/2"
12	15042104	WEATHER GUARD 3' STD - 37-1/2"
13	15042121	WEATHER GUARD 10' - 121-1/2"
14	15070013	SPOUT DRIVE ROLLER-1-1/4" LAGGED
15	15597000	SPOUT PINCH RLLR KIT
16	150100811	WEATHER GUARD MOUNT BAR KIT-POLY
17	P0113001	CARRIAGE BOLT 1/2"X2" PLATED
18	P0113013	CARRIAGE BOLT 7/16"X1" PLATED
19	P0113020	CARRIAGE BOLT 5/16"X1-1/2"PLATED
20	P0118004	BOLT 1" X 3" GR8 PLATED
21	P0118012	BOLT 1/2" X 1" GR8 PLATED
22	P0115111	BOLT 3/4" X 2" GR8 PLATED
23	P0118046	BOLT 3/8" X 1" GR8 PLATED
24	P0115303	CAPSCREW 3/8X1-1/4FLT HD SOCKET PTD
25	P0118013	BOLT 1/2"X1 1/2" GR.8 PLATED
26	P0118017	BOLT 1/2"X2-1/2"GRADE 8 PLATED
27	P0118076	BOLT 7/16"X1" GRADE 8 PLATED
28	P0118077	BOLT 7/16"X1-1/2" GRADE 8 PLATED
29	P0131017	NUT 5/16" PLATED GRADE 8
30	P0134026	LOCKNUT-NYLON-3/8" GRADE 8
31	P0134007	LOCKNUT-NYLON-7/16"
32	P0134008	LOCKNUT-NYLON-1/2"
33	P01340101	LOCKNUT-NYLON-5/8" GRADE 8
34	P0134029	LOCKNUT-NYLON-3/4" GRADE 8
35	P0134030	LOCKNUT-NYLON-1" GRADE 8
36	P0141002	TEK SCREW 1/4"X1"
37	P0145002	SET SCREW-7/16"X2-1/2"SQ.HD.
38	P0151006	FLAT WASHER 1/4"PLATED USS
39	P0151009	FLAT WASHER 3/8"PLATED USS
40	P0151026	FLAT WASHER 3/4"SAE
41	P0151031	FLAT WASHER 1"PLATED USS
42	P0152010	LOCK WASHER 5/16"PLATED
43	P0161001	Cotter Pin 1/4 x 2
44	P0161002	COTTER PIN 5/32X1-1/2"PLATED
45	P0162001	HITCH PIN 1/2" X 3" PLATED
46	P0183003	U-BOLT 2-1/2" X 2-1/2" (5/8) PLATED



1540 TD-15504053

ITEM	PART NO.	DESCRIPTION
47	P0614301	TIRE ASSEMBLY-15"X4.5"X4BOLT
48	P0712105	CABLE CLAMP-5/16" GALV.
49	P0714102	WINCH-1500# BRAKE
50	P1010001	UNI-MOUNT PLATE CAST
51	P1210030	BELT GUIDE BLOCK
52	P1211305	ROLLER 2" NYLON
53	P1211501	HOOD-ROUND 15 SERIES (KANBAN)
54	P1711002	FLANGE UNIT-1-1/4"-SAFL206-20
55	13032125	BOLT ON ANGLE
56	13030001	STRAIGHT TONGUE
57	13030102	AXLE ARM 30/35TD/45-2-1/2"
58	13031019	55 TRACK
59	P2513202P	2" U-CLAMP -PAINTED
60	P2513212P	2" LOCKING U-CLAMP PAINTED
61	P11150181	WG CROSS BAR (NO ROLLER)
62	P0711108	CABLE-5/16" (44') (50740)
63	P1243001	CABLE TIE 14" 120 LB
64	P2227989	MANUAL HOLDER AND LID
66	15570400	1540TD 80' 8"

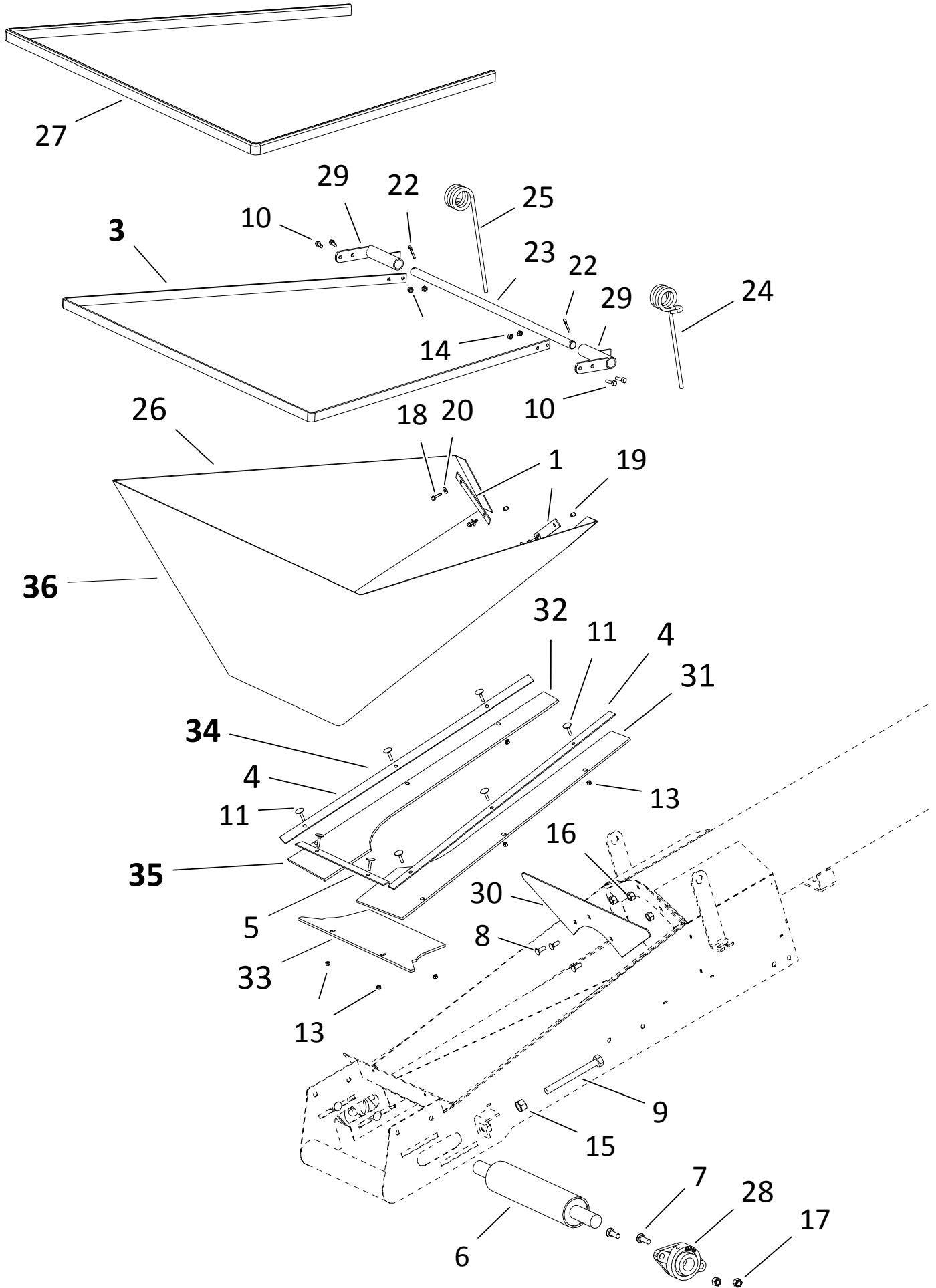
S-DRIVE (15597000)



S-DRIVE (15597000)

ITEM	PART NO.	DESCRIPTION
1	15061020	TD PINCH MOUNT
2	15062110	TD PINCH PIPE
3	15070026	ROLLER MOUNT
4	15070027	PUSH BAR
5	15072025	SPOUT PINCH PIPE
6	P0113000	SPRING TENSION BOLT
7	P0131019	NUT 3/4" PLATED GRADE 8
8	P0134008	LOCKNUT-NYLON-1/2"
9	P0151025	FLAT WASHER 1/2" PLATED USS
10	P0511008	SPRING-LD-1300 SERIES
11	P0820129	BUSHING BRASS FLANGED
12	P01180161	BOLT 1/2" X 2-1/4" GR8 PLATED
13	P1211023	TD PINCH SLIDER PLATE
14	P1742005	BEARING-1-1/4" W/SET SCREWS-FLAT
15	P0351010	MACHINERY BUSHING 7/8" MEDIUM (NOT SHOWN)

HOPPER (15000304P)

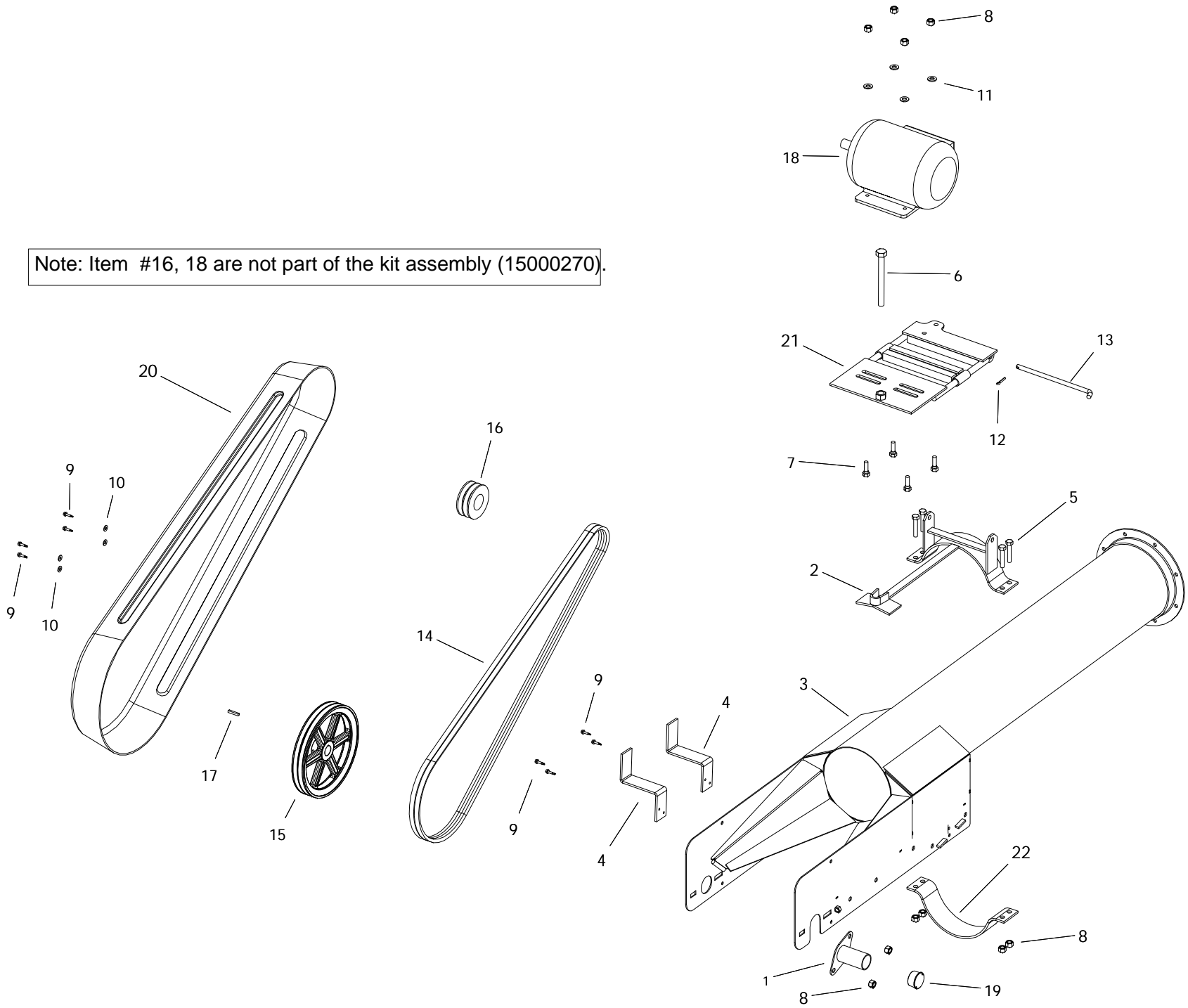


HOPPER (15000304P)

ITEM	PART NO.	DESCRIPTION
1	13052001	LOWER CLOTH FRAME STD BACK
3	15052004	UPPER CLOTH FRAME STD
4	15052101	LOWER CLOTH FRAME STD SIDE
5	15052102	LOWER CLOTH FRAME STD FRONT
6	15070009	HOPPER/SPOUT ROLLER LAGGED
7	P0113004	CARRIAGE BOLT 1/2"X1-1/2"PLATED
8	P0113015	CARRIAGE BOLT 3/8"X1" PLATED
9	P0114007	TAP BOLT 3/4 X 7 PLATED
10	P0118061	BOLT 5/16" X 1" GR8 PLATED
11	P0116001	ELEVATOR BOLT 1/4"X1-1/4"
13	P0131016	NUT 1/4" PLATED GRADE 8
14	P0131017	NUT 5/16" PLATED GRADE 8
15	P0131019	NUT 3/4" PLATED GRADE 8
16	P0134026	LOCKNUT-NYLON-3/8" GRADE 8
17	P0134008	LOCKNUT-NYLON-1/2"
18	P0141002	TEK SCREW 1/4"X1"
19	P0145001	VINYL SCREW CAP
20	P0151006	FLAT WASHER 1/4"PLATED USS
22	P0161003	COTTER PIN 3/16"X1-1/2"PLATED
23	P0162007	HOPPER PIVOT SHAFT-13/15
24	P0521001	HOPPER SPRING-L
25	P0521002	HOPPER SPRING-R
26	P1621007	HOPPER CANVAS-15 CONV.
27	P1641015	TRIM LOCK
28	P1711001	FLANGE UNIT-1-1/2"-SAFL208-24
29	P2515017	PIVOT SHAFT BRACKET
30	P11150047	HOPPER SHIELD
31	P19159000	HOPPER LEFT FLASHING STD
32	P19159001	HOPPER RIGHT FLASHING STD
33	P19159002	HOPPER FRONT FLASHING STD
34	15000314	HOPPER -LINER KIT STD
35	15000306P	HOPPER -FLASHING ONLY STD
36	15000304P	HOPPER -COLLAPSABLE STD

ELECTRIC DRIVE KIT (15000270)

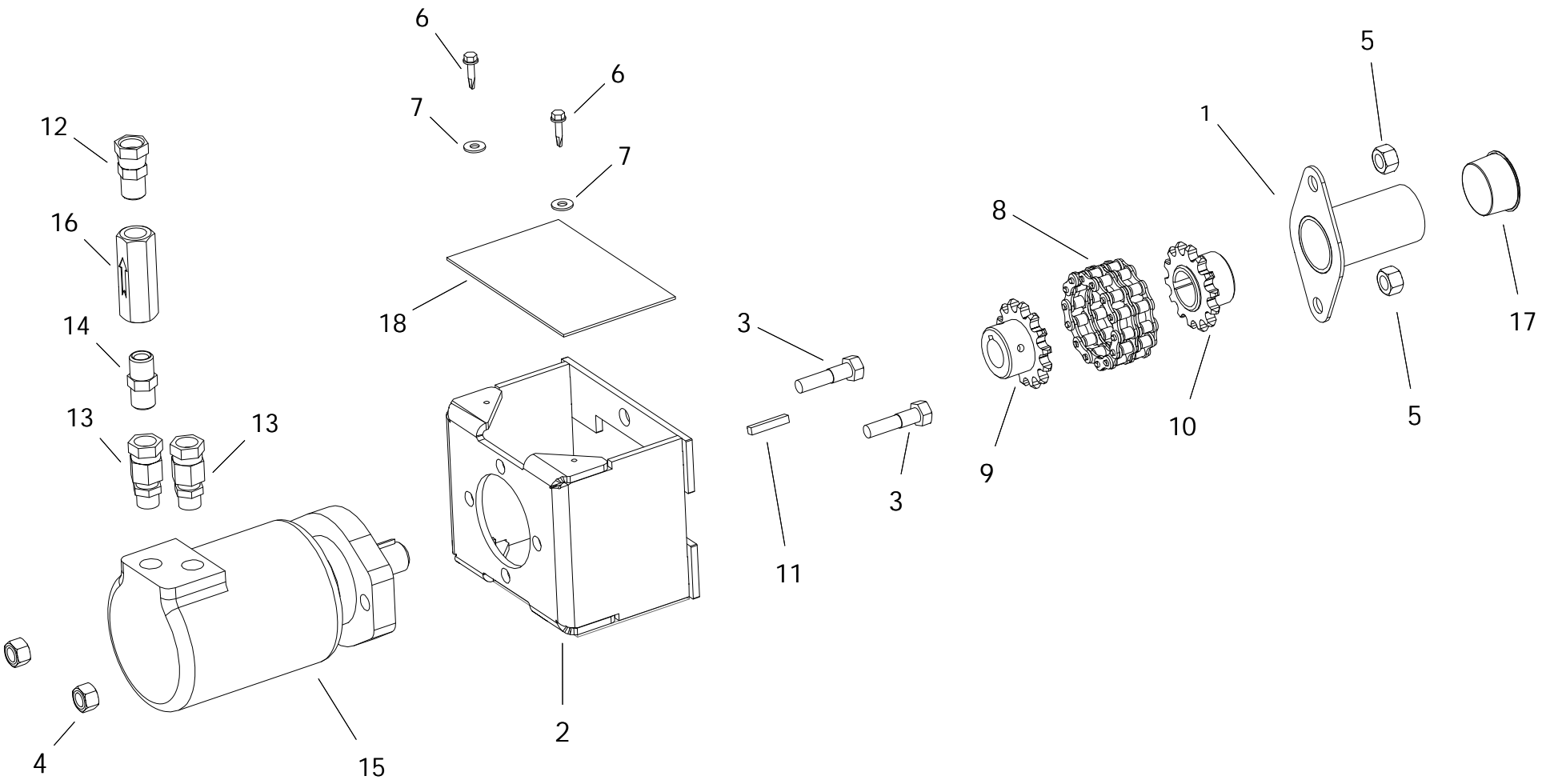
Note: Item #16, 18 are not part of the kit assembly (15000270).



ELECTRIC DRIVE KIT (15000270)

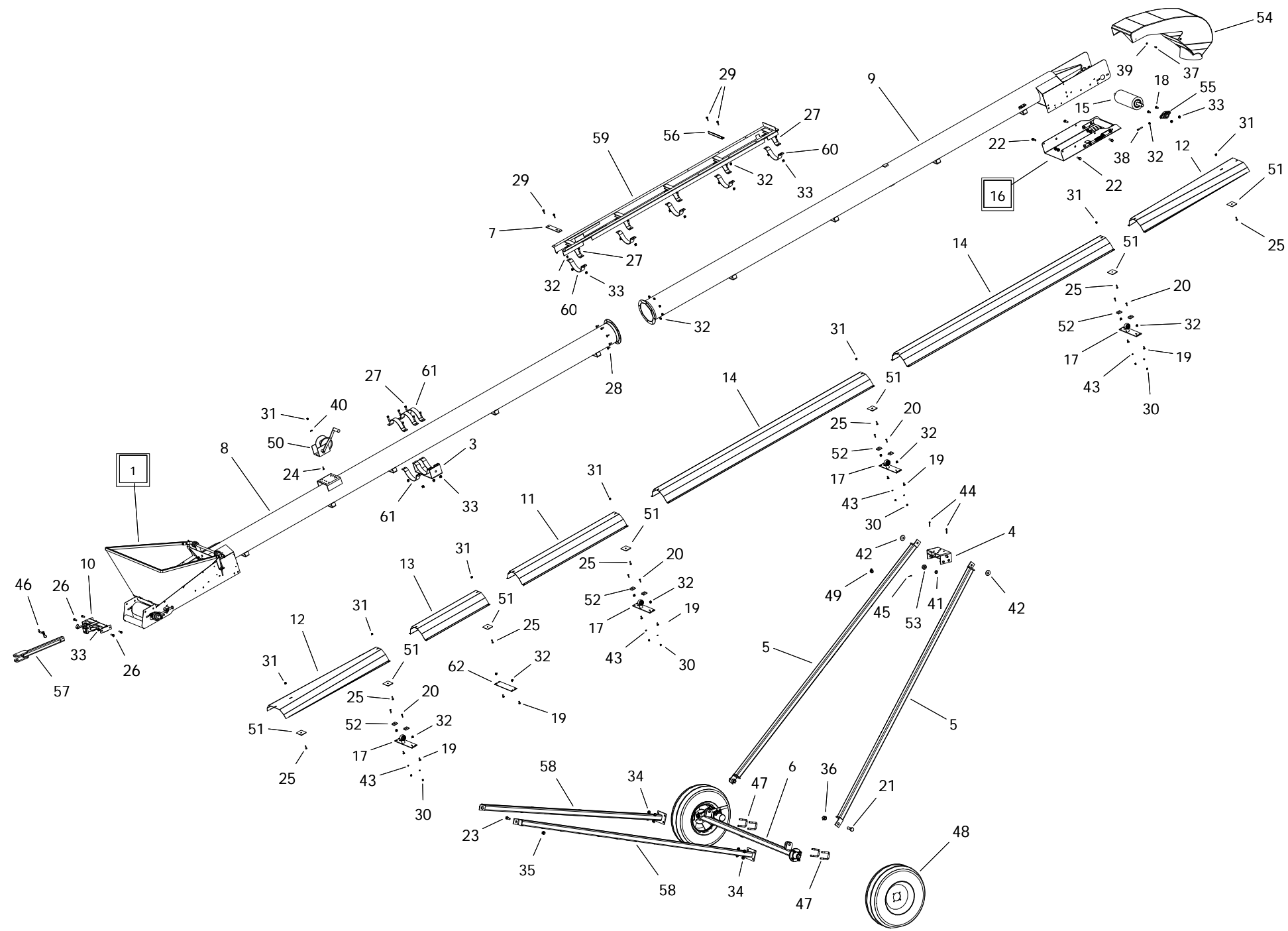
ITEM	PART NO.	DESCRIPTION
1	13041038	SHAFT GUARD(FL-206)
2	13060004	ELECTRIC MOTOR CLAMP
3	15020006	TRANSFER SPOUT 60"
4	25013011	PIT GUARD MOUNT
5	P0114005	TAP BOLT 1/2 X 2-1/2 GR.8 PLATED
6	P0114007	TAP BOLT 3/4 X 7 PLATED
7	P0118017	BOLT 1/2"X2-1/2"GRADE 8 PLATED
8	P0134008	LOCKNUT-NYLON-1/2"
9	P0141002	TEK SCREW 1/4"X1"
10	P0151006	FLAT WASHER 1/4"PLATED USS
11	P0151025	FLAT WASHER 1/2" PLATED USS
12	P0161003	COTTER PIN 3/16"X1-1/2"PLATED
13	P0162005	PIN-ELECT.MTR.MNT-SHORT
14	P0321103	BELT B103
15	P0328007	PULLEY-DBL-B-12" W/1-1/4"BORE
16	P0328018	PULLEY-DBL-BK-4"H
17	P0391003	KEY 1/4" X 1-1/2" LONG
18	P0931020	MOTOR 5HP
19	P1210032	FL-206 SHAFT GUARD PLUG
20	P1211803	PIT GUARD
21	13060037	ELECTRIC MOTOR MOUNT BASE
22	P2513203P	3" U-CLAMP PAINTED

HYDRAULIC DRIVE KIT FOR 1814LP & TD (18000281)



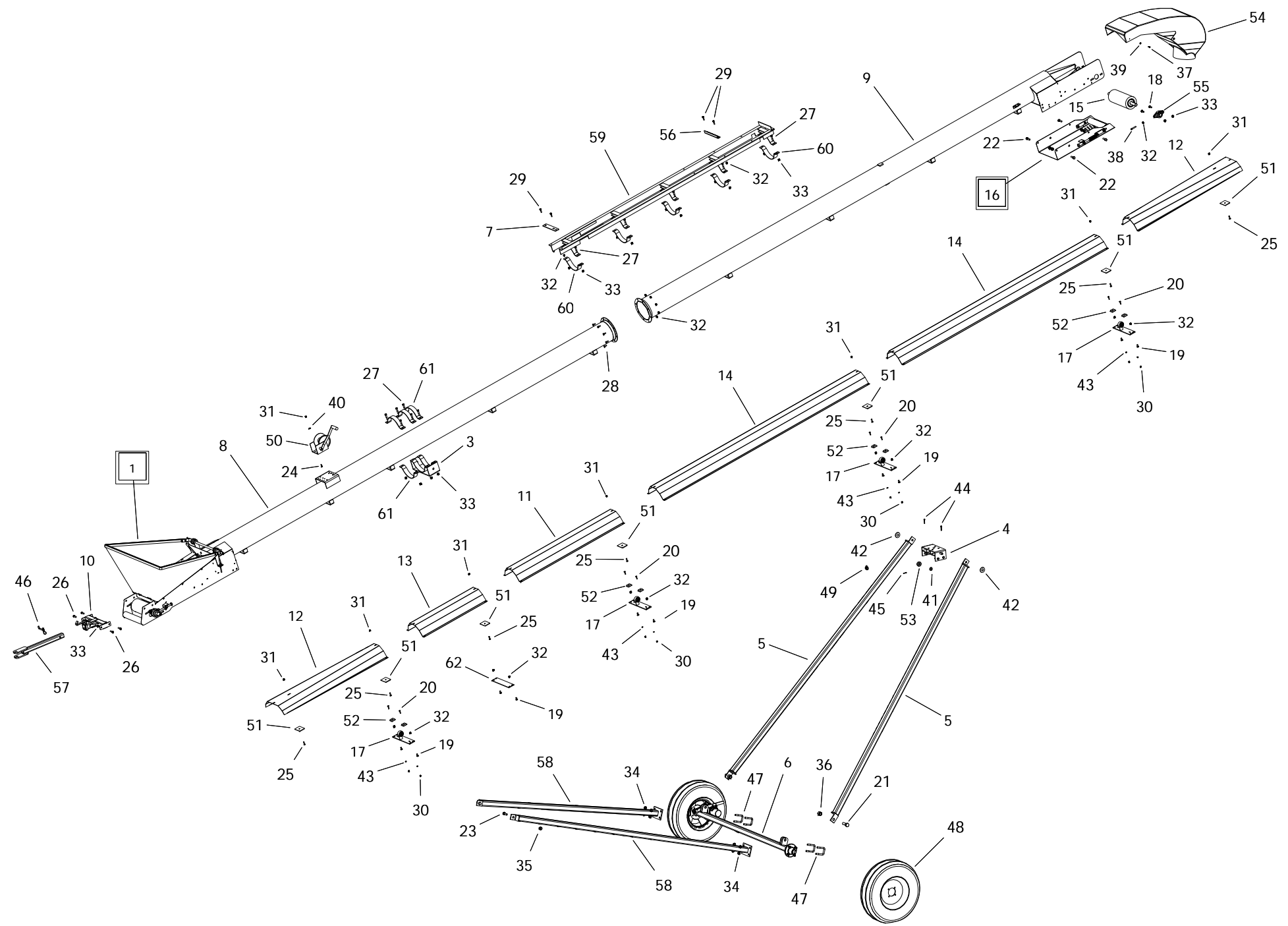
HYDRAULIC DRIVE KIT FOR 1814LP & TD (18000281)

ITEM	PART NO.	DESCRIPTION
1	13041038	SHAFT GUARD(FL-206)
2	25060003	2000 SERIES PITSTOP MOUNT
3	P0118016	BOLT 1/2" X 2" GR8 PLATED
4	P0134008	LOCKNUT-NYLON-1/2"
5	P0134008	LOCKNUT-NYLON-1/2"
6	P0141002	TEK SCREW 1/4"X1"
7	P0151006	FLAT WASHER 1/4"PLATED USS
8	P0311001	ROLLER CHAIN FOR DRIVE(50-2RX14+CL)
9	P0335140	SPROCKET 5014 1.0(KEY0.25)
10	P0335141	SPROCKET 5014 1.25(KEY0.25)
11	P0391003	KEY 1/4" X 1-1/2" LONG
12	P0821112	SWIVEL-1/2" STRAIGHT
13	P0821114	SWIVEL-10ORBX1/2"FS
14	P0821133	HEX NIPPLE-1/2"
15	P0841019	HYD MOTOR-6.2-2000-1"
16	P0861035	CHECK VALVE-1/2" (NO HOLE)
17	P1210032	FL-206 SHAFT GUARD PLUG
18	P1210100	1 1/4 HYDMTR GUARD 4.5 X 6.5



1545 TD-15504553

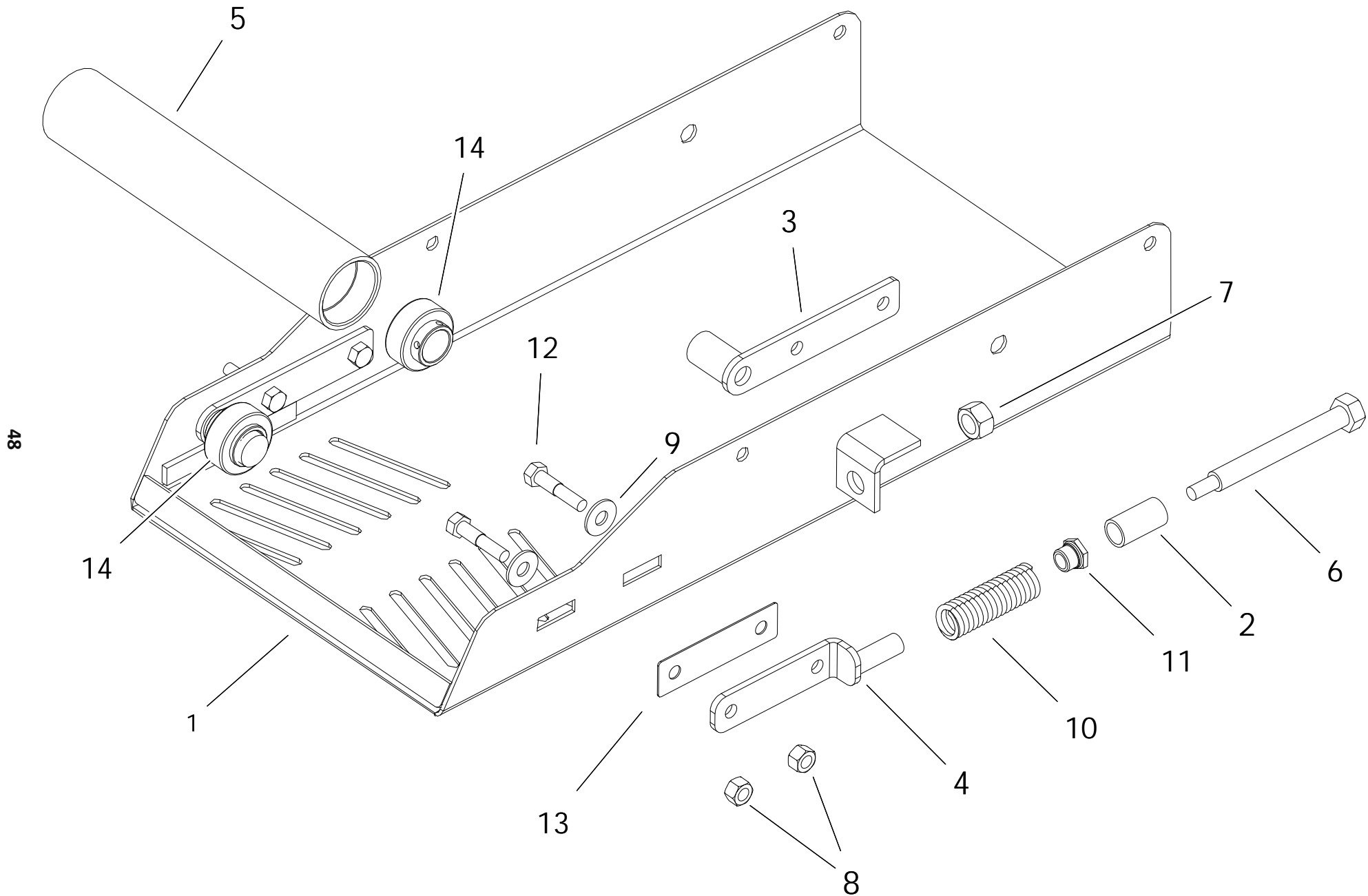
ITEM	PART NO.	DESCRIPTION
1	15000304P	HOPPER -COLLAPSABLE STD
2	13000139	MOVER WHEEL MOVE DRIVE SYS.2.5 AXLE
3	13010008	SUSPENSION BRACKET-NO TABS
4	13030042	13/15 TRACK SLIDER
5	13030024	UPRIGHT ARM 35TD-1345
6	13030100	AXLE 30-45-2-1/2" (WITH 8 LUGS)
7	13032094	35/45 SMALL CABLE ATTACH
8	15020044	BT HOPPER 20' W/ BRKTS
9	15020047	SPOUT SECTION 20' W/RTRN MOUNTS
10	15030005	BELT TIGHTNER HITCH
11	15042101	WEATHER GUARD 5' - 61-1/2"
12	15042102	WEATHER GUARD 5' FLR - 61-1/2"
13	15042104	WEATHER GUARD 3' STD - 37-1/2"
14	15042121	WEATHER GUARD 10' - 121-1/2"
15	15070013	SPOUT DRIVE ROLLER-1-1/4" LAGGED
16	15597000	SPOUT PINCH RLLR KIT
17	150100811	WEATHER GUARD MOUNT BAR KIT-POLY
18	P0113001	CARRIAGE BOLT 1/2"X2" PLATED
19	P0113013	CARRIAGE BOLT 7/16"X1" PLATED
20	P0113020	CARRIAGE BOLT 5/16"X1-1/2"PLATED
21	P0118004	BOLT 1" X 3" GR8 PLATED
22	P0118012	BOLT 1/2" X 1" GR8 PLATED
23	P0115111	BOLT 3/4" X 2" GR8 PLATED
24	P0118046	BOLT 3/8" X 1" GR8 PLATED
25	P0115303	CAPSCREW 3/8X1-1/4FLT HD SOCKET PTD
26	P0118013	BOLT 1/2"X1 1/2" GR.8 PLATED
27	P0118017	BOLT 1/2"X2-1/2"GRADE 8 PLATED
28	P0118076	BOLT 7/16"X1" GRADE 8 PLATED
29	P0118077	BOLT 7/16"X1-1/2" GRADE 8 PLATED
30	P0131017	NUT 5/16" PLATED GRADE 8
31	P0134026	LOCKNUT-NYLON-3/8" GRADE 8
32	P0134007	LOCKNUT-NYLON-7/16"
33	P0134008	LOCKNUT-NYLON-1/2"
34	P01340101	LOCKNUT-NYLON-5/8" GRADE 8
35	P0134029	LOCKNUT-NYLON-3/4" GRADE 8
36	P0134030	LOCKNUT-NYLON-1" GRADE 8
37	P0141002	TEK SCREW 1/4"X1"
38	P0145002	SET SCREW-7/16"X2-1/2"SQ.HD.
39	P0151006	FLAT WASHER 1/4"PLATED USS
40	P0151009	FLAT WASHER 3/8"PLATED USS
41	P0151026	FLAT WASHER 3/4"SAE
42	P0151031	FLAT WASHER 1"PLATED USS
43	P0152010	LOCK WASHER 5/16"PLATED
44	P0161001	Cotter Pin 1/4 x 2
45	P0161002	COTTER PIN 5/32X1-1/2"PLATED
46	P0162001	HITCH PIN 1/2" X 3" PLATED



1545 TD-15504553

ITEM	PART NO.	DESCRIPTION
47	P0183003	U-BOLT 2-1/2" X 2-1/2" (5/8) PLATED
48	P0614301	TIRE ASSEMBLY-15"X4.5"X4BOLT
49	P0712105	CABLE CLAMP-5/16" GALV.
50	P0714102	WINCH-1500# BRAKE
51	P1010001	UNI-MOUNT PLATE CAST
52	P1210030	BELT GUIDE BLOCK
53	P1211305	ROLLER 2" NYLON
54	P1211501	HOOD-ROUND 15 SERIES (KANBAN)
55	P1711002	FLANGE UNIT-1-1/4"-SAFL206-20
56	13032125	BOLT ON ANGLE
57	13030001	STRAIGHT TONGUE
58	13030102	AXLE ARM 30/35TD/45-2-1/2"
59	13031019	55 TRACK
60	P2513202P	2" U-CLAMP -PAINTED
61	P2513212P	2" LOCKING U-CLAMP PAINTED
62	P11150181	WG CROSS BAR (NO ROLLER)
63	P0711108	CABLE-5/16" (44') (50740)
64	15570450	1545TD 90' 8"
65	P1243001	CABLE TIE 14" 120 LB
66	P2227989	MANUAL HOLDER AND LID

S-DRIVE (15597000)

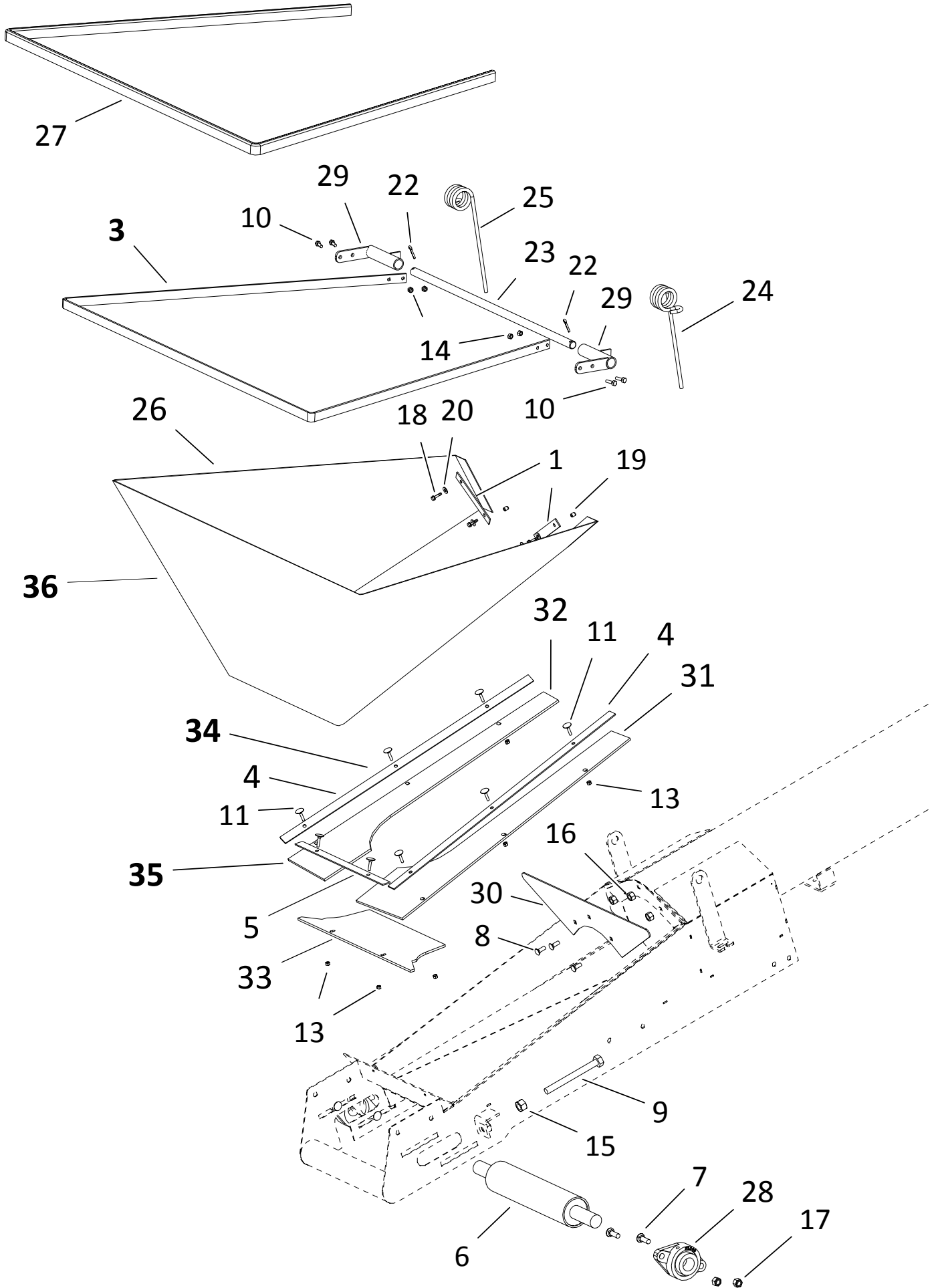


48

S-DRIVE (15597000)

ITEM	PART NO.	DESCRIPTION
1	15061020	TD PINCH MOUNT
2	15062110	TD PINCH PIPE
3	15070026	ROLLER MOUNT
4	15070027	PUSH BAR
5	15072025	SPOUT PINCH PIPE
6	P0113000	SPRING TENSION BOLT
7	P0131019	NUT 3/4" PLATED GRADE 8
8	P0134008	LOCKNUT-NYLON-1/2"
9	P0151025	FLAT WASHER 1/2" PLATED USS
10	P0511008	SPRING-LD-1300 SERIES
11	P0820129	BUSHING BRASS FLANGED
12	P01180161	BOLT 1/2" X 2-1/4" GR8 PLATED
13	P1211023	TD PINCH SLIDER PLATE
14	P1742005	BEARING-1-1/4" W/SET SCREWS-FLAT
15	P0351010	MACHINERY BUSHING 7/8" MEDIUM (NOT SHOWN)

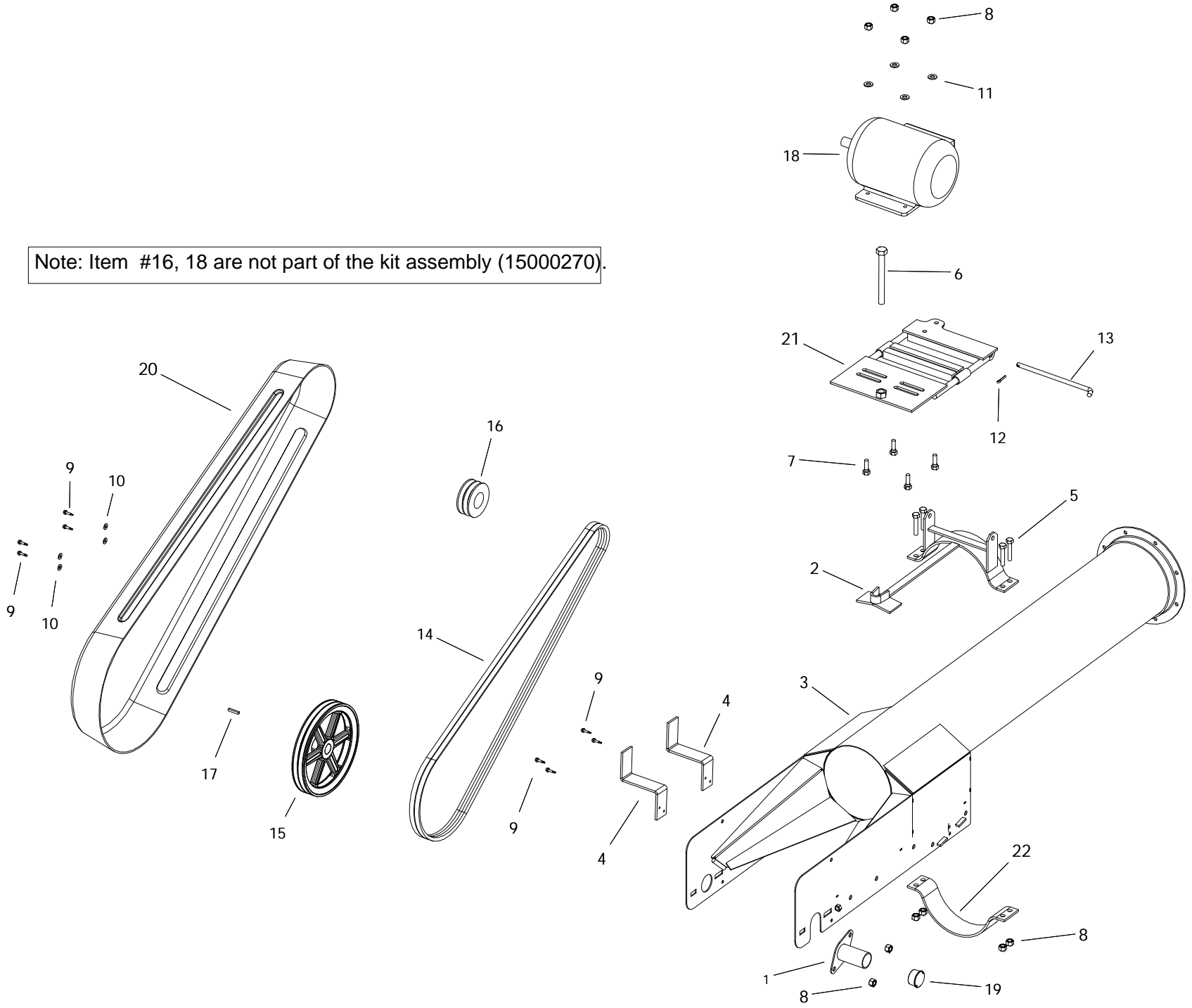
HOPPER (15000304P)



HOPPER (15000304P)

ITEM	PART NO.	DESCRIPTION
1	13052001	LOWER CLOTH FRAME STD BACK
3	15052004	UPPER CLOTH FRAME STD
4	15052101	LOWER CLOTH FRAME STD SIDE
5	15052102	LOWER CLOTH FRAME STD FRONT
6	15070009	HOPPER/SPOUT ROLLER LAGGED
7	P0113004	CARRIAGE BOLT 1/2"X1-1/2"PLATED
8	P0113015	CARRIAGE BOLT 3/8"X1" PLATED
9	P0114007	TAP BOLT 3/4 X 7 PLATED
10	P0118061	BOLT 5/16" X 1" GR8 PLATED
11	P0116001	ELEVATOR BOLT 1/4"X1-1/4"
13	P0131016	NUT 1/4" PLATED GRADE 8
14	P0131017	NUT 5/16" PLATED GRADE 8
15	P0131019	NUT 3/4" PLATED GRADE 8
16	P0134026	LOCKNUT-NYLON-3/8" GRADE 8
17	P0134008	LOCKNUT-NYLON-1/2"
18	P0141002	TEK SCREW 1/4"X1"
19	P0145001	VINYL SCREW CAP
20	P0151006	FLAT WASHER 1/4"PLATED USS
22	P0161003	COTTER PIN 3/16"X1-1/2"PLATED
23	P0162007	HOPPER PIVOT SHAFT-13/15
24	P0521001	HOPPER SPRING-L
25	P0521002	HOPPER SPRING-R
26	P1621007	HOPPER CANVAS-15 CONV.
27	P1641015	TRIM LOCK
28	P1711001	FLANGE UNIT-1-1/2"-SAFL208-24
29	P2515017	PIVOT SHAFT BRACKET
30	P11150047	HOPPER SHIELD
31	P19159000	HOPPER LEFT FLASHING STD
32	P19159001	HOPPER RIGHT FLASHING STD
33	P19159002	HOPPER FRONT FLASHING STD
34	15000314	HOPPER -LINER KIT STD
35	15000306P	HOPPER -FLASHING ONLY STD
36	15000304P	HOPPER -COLLAPSABLE STD

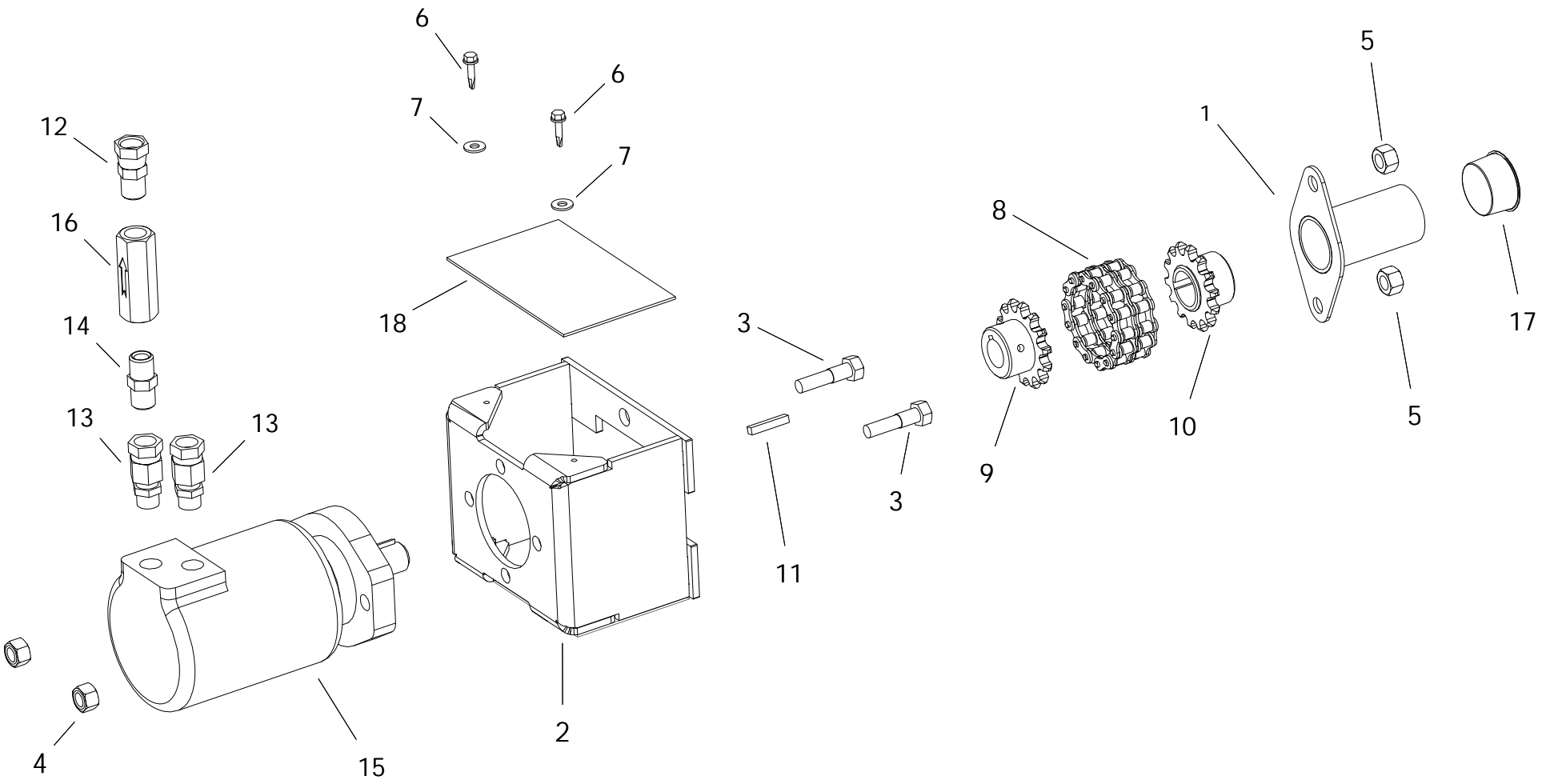
Note: Item #16, 18 are not part of the kit assembly (15000270).



ELECTRIC DRIVE KIT (15000270)

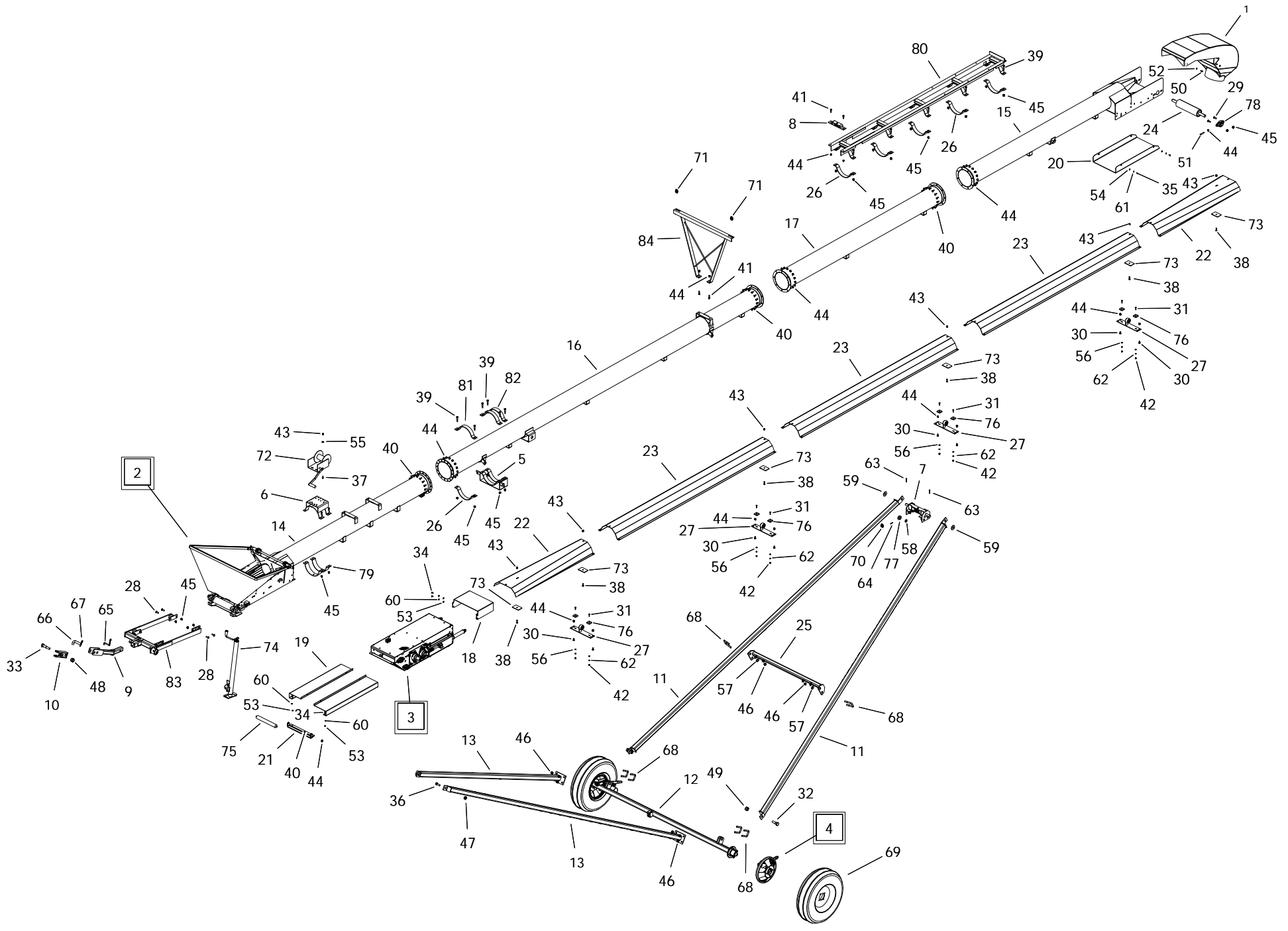
ITEM	PART NO.	DESCRIPTION
1	13041038	SHAFT GUARD(FL-206)
2	13060004	ELECTRIC MOTOR CLAMP
3	15020006	TRANSFER SPOUT 60"
4	25013011	PIT GUARD MOUNT
5	P0114005	TAP BOLT 1/2 X 2-1/2 GR.8 PLATED
6	P0114007	TAP BOLT 3/4 X 7 PLATED
7	P0118017	BOLT 1/2"X2-1/2"GRADE 8 PLATED
8	P0134008	LOCKNUT-NYLON-1/2"
9	P0141002	TEK SCREW 1/4"X1"
10	P0151006	FLAT WASHER 1/4"PLATED USS
11	P0151025	FLAT WASHER 1/2" PLATED USS
12	P0161003	COTTER PIN 3/16"X1-1/2"PLATED
13	P0162005	PIN-ELECT.MTR.MNT-SHORT
14	P0321103	BELT B103
15	P0328007	PULLEY-DBL-B-12" W/1-1/4"BORE
16	P0328018	PULLEY-DBL-BK-4"H
17	P0391003	KEY 1/4" X 1-1/2" LONG
18	P0931020	MOTOR 5HP
19	P1210032	FL-206 SHAFT GUARD PLUG
20	P1211803	PIT GUARD
21	13060037	ELECTRIC MOTOR MOUNT BASE
22	P2513203P	3" U-CLAMP PAINTED

HYDRAULIC DRIVE KIT FOR 1814LP & TD (18000281)



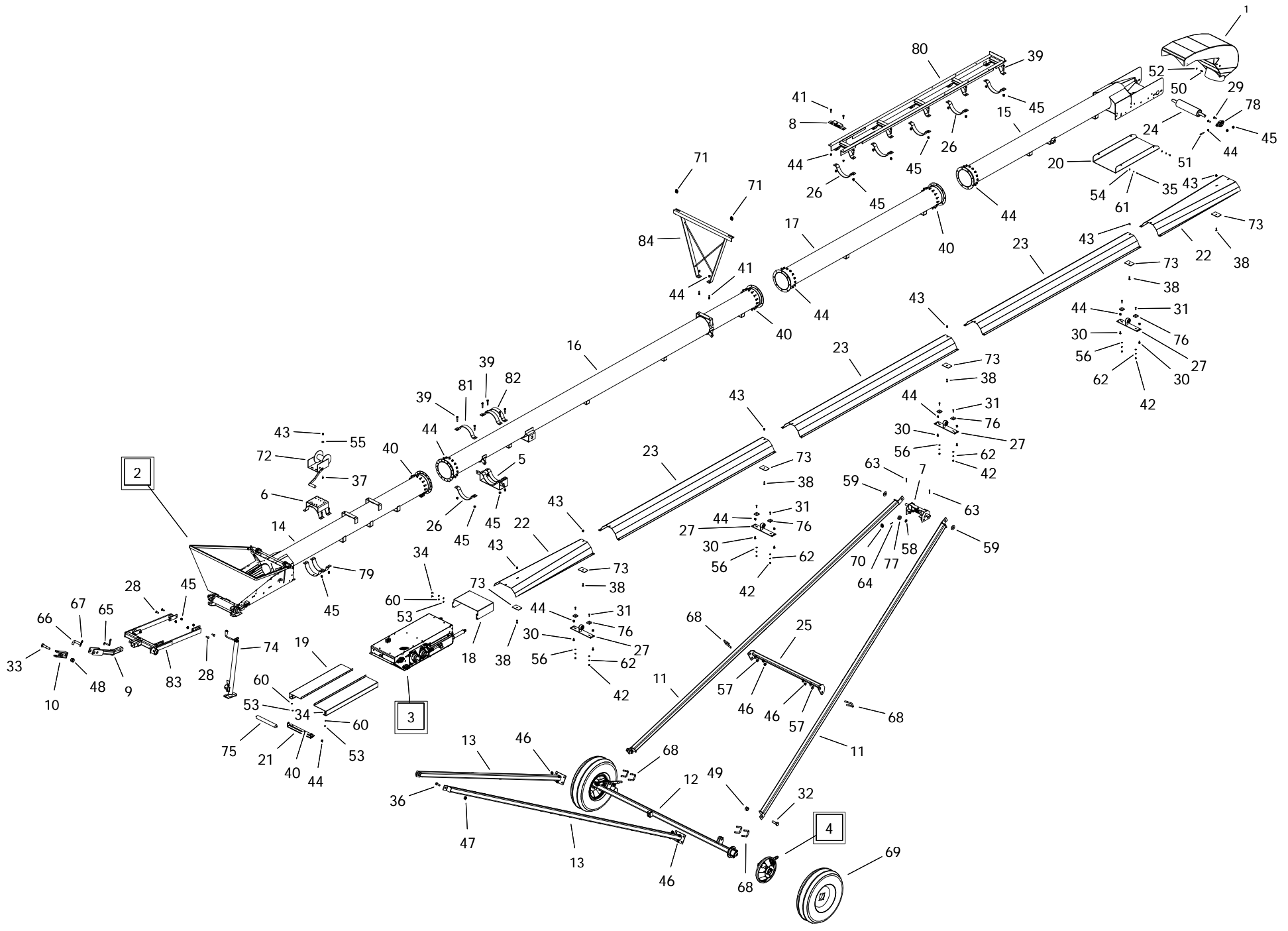
HYDRAULIC DRIVE KIT FOR 1814LP & TD (18000281)

ITEM	PART NO.	DESCRIPTION
1	13041038	SHAFT GUARD(FL-206)
2	25060003	2000 SERIES PITSTOP MOUNT
3	P0118016	BOLT 1/2" X 2" GR8 PLATED
4	P0134008	LOCKNUT-NYLON-1/2"
5	P0134008	LOCKNUT-NYLON-1/2"
6	P0141002	TEK SCREW 1/4"X1"
7	P0151006	FLAT WASHER 1/4"PLATED USS
8	P0311001	ROLLER CHAIN FOR DRIVE(50-2RX14+CL)
9	P0335140	SPROCKET 5014 1.0(KEY0.25)
10	P0335141	SPROCKET 5014 1.25(KEY0.25)
11	P0391003	KEY 1/4" X 1-1/2" LONG
12	P0821112	SWIVEL-1/2" STRAIGHT
13	P0821114	SWIVEL-10ORBx1/2"FS
14	P0821133	HEX NIPPLE-1/2"
15	P0841019	HYD MOTOR-6.2-2000-1"
16	P0861035	CHECK VALVE-1/2" (NO HOLE)
17	P1210032	FL-206 SHAFT GUARD PLUG
18	P1210100	1 1/4 HYDMTR GUARD 4.5 X 6.5



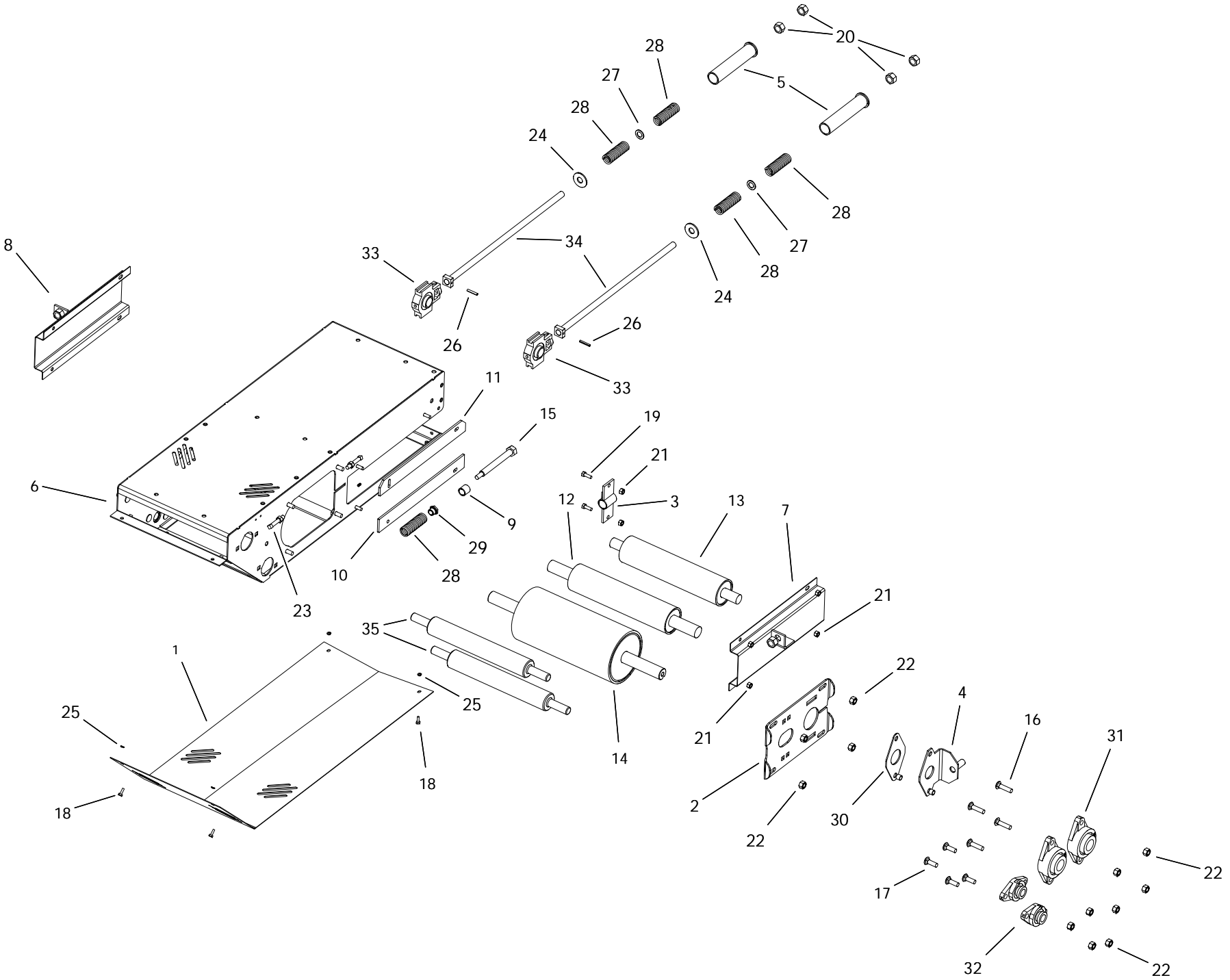
1555 SD-15505511

ITEM	PART NO.	DESCRIPTION
1	P1211501	HOOD-ROUND 15 SERIES (KANBAN)
2	15000304P	HOPPER -COLLAPSABLE STD
3	15590020	S-DRIVE ASM W/PINCH
4	13000139	MOVER WHEEL MOVE DRIVE SYS.2.5 AXLE
5	13010005	SUSPENSION BRACKET W/TABS
6	13011013	WINCH MOUNT HD
7	13030005	55 FRAME SLIDER
8	13030007	55 LARGE CABLE ATTACHMENT
9	13030016	Tongue
10	13030017	CLEVIS
11	13030026	1355 Upright Arms
12	13030103	1355 Axle (4 bolt)
13	13030104	AXLE ARM 55'-NEW
14	15020040	BT HOPPER SECTION 10' WITH SD BKTS
15	15020045	SPOUT SECTION 10' W/CABLE RTRN BKT
16	15020051	BOTTOM TUBE WITH ANCHORS
17	15020054	UPPER CENTER TUBE 10'
18	15040040	PINCH DRIVE FRONT GUARD
19	15042040	SD-HOPPER BELT GUARD
20	15042093	SPOUT BOTTOM COVER
21	15042094	HOPPER GUARD BRACKET
22	15042102	WEATHER GUARD 5' FLR - 61-1/2"
23	15042121	WEATHER GUARD 10' - 121-1/2"
24	15070009	HOPPER/SPOUT ROLLER LAGGED
25	20030350	15/20 FRAME CROSS BRACE
26	130120021	2" LOCKING U-CLAMP
27	150100811	WEATHER GUARD MOUNT BAR KIT-POLY
28	P0113004	CARRIAGE BOLT 1/2"X1-1/2"PLATED
29	P0113004	CARRIAGE BOLT 1/2"X1-1/2"PLATED
30	P0113013	CARRIAGE BOLT 7/16"X1" PLATED
31	P0113020	CARRIAGE BOLT 5/16"X1-1/2"PLATED
32	P0118004	BOLT 1" X 3" GR8 PLATED
33	0118007	BOLT 1" X 4-1/2" GR8 PLATED
34	P0118033	BOLT 1/4" X 3/4" GR8 PLATED
35	P0118033	BOLT 1/4" X 3/4" GR8 PLATED
36	P0115111	BOLT 3/4" X 2" GR8 PLATED
37	P0118046	BOLT 3/8" X 1" GR8 PLATED
38	P0115303	CAPSCREW 3/8X1-1/4FLT HD SOCKET PTD
39	P0118017	BOLT 1/2"X2-1/2"GRADE 8 PLATED
40	P0118076	BOLT 7/16"X1" GRADE 8 PLATED
41	P0118077	BOLT 7/16"X1-1/2" GRADE 8 PLATED
42	P0131017	NUT 5/16" PLATED GRADE 8
43	P0134026	LOCKNUT-NYLON-3/8" GRADE 8
44	P0134007	LOCKNUT-NYLON-7/16"
45	P0134008	LOCKNUT-NYLON-1/2"
46	P01340101	LOCKNUT-NYLON-5/8" GRADE 8



1555 SD-15505511

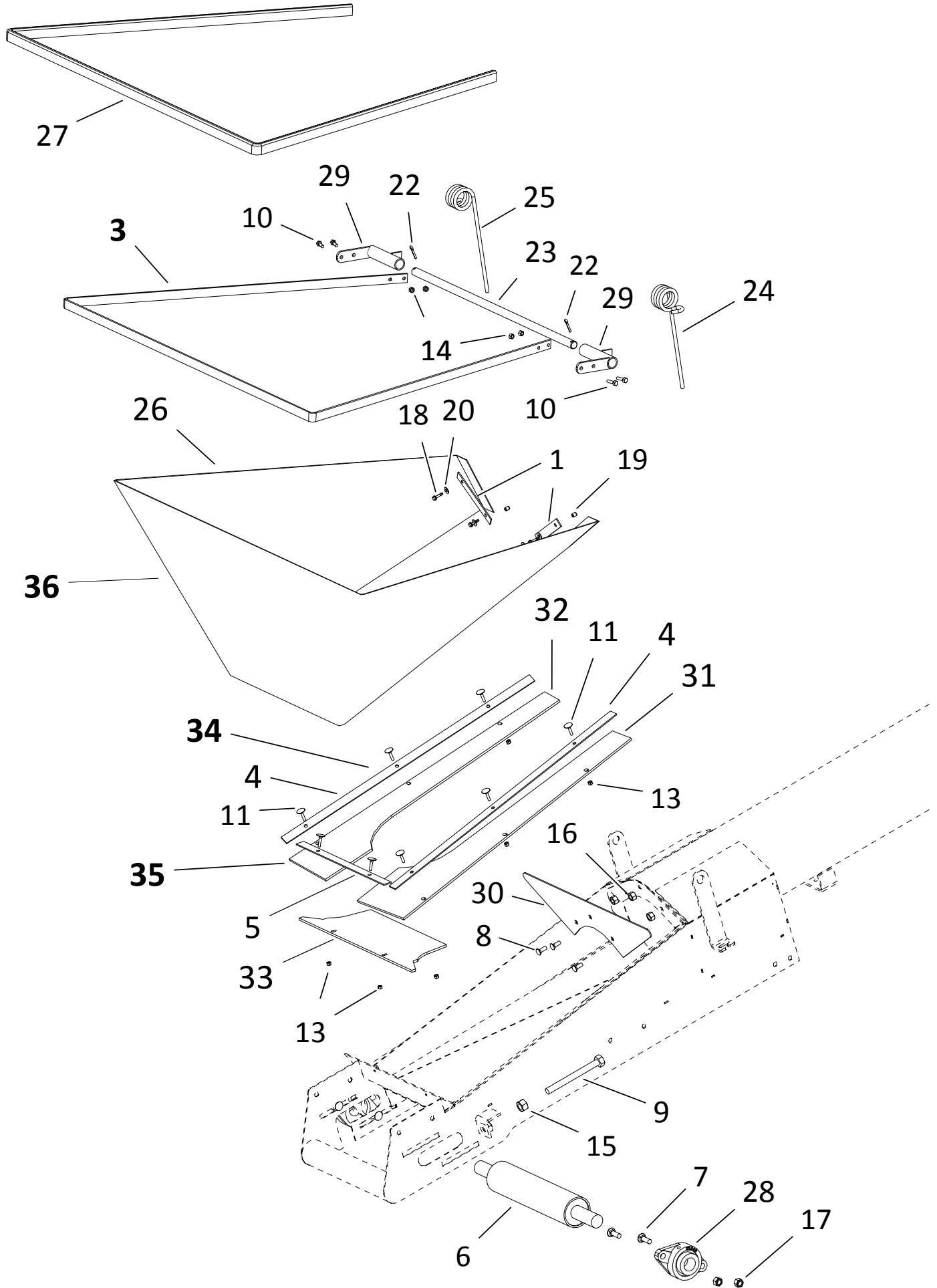
ITEM	PART NO.	DESCRIPTION
47	P0134029	LOCKNUT-NYLON-3/4" GRADE 8
48	P0134030	LOCKNUT-NYLON-1" GRADE 8
49	P0134030	LOCKNUT-NYLON-1" GRADE 8
50	P0141002	TEK SCREW 1/4"X1"
51	P0145002	SET SCREW-7/16"X2-1/2"SQ.HD.
52	P0151006	FLAT WASHER 1/4"PLATED USS
53	P0151006	FLAT WASHER 1/4"PLATED USS
54	P0151006	FLAT WASHER 1/4"PLATED USS
55	P0151009	FLAT WASHER 3/8"PLATED USS
56	P0151010	FLAT WASHER 5/16"PLATED USS
57	P0151011	FLAT WASHER 5/8"PLATED USS
58	P0151026	FLAT WASHER 3/4"SAE
59	P0151031	FLAT WASHER 1"PLATED USS
60	P0152004	LOCK WASHER 1/4"PLATED
61	P0152004	LOCK WASHER 1/4"PLATED
62	P0152010	LOCK WASHER 5/16"PLATED
63	P0161001	Cotter Pin 1/4 x 2
64	P0161002	COTTER PIN 5/32X1-1/2"PLATED
65	P0162001	HITCH PIN 1/2" X 3" PLATED
66	P0162003	HITCH PIN 1" X 3-1/2" PLATED
67	P0163001	HAIR PIN 3/16" X 3-1/4"
68	P0183003	U-BOLT 2-1/2" X 2-1/2" (5/8) PLATED
69	P0614301	TIRE ASSEMBLY-15"X4.5"X4BOLT
70	P0712105	CABLE CLAMP-5/16" GALV.
71	P0712109	CABLE CLAMP-3/8"
72	P0714103	WINCH-2500# BRAKE
73	P1010001	UNI-MOUNT PLATE CAST
74	P1012009	JACK-7000LB SQ.TUBE 25" EXT
75	P1021006	ROLLER HEX 15-7/8"
76	P1210030	BELT GUIDE BLOCK
77	P1211305	ROLLER 2" NYLON
78	P1711001	FLANGE UNIT-1-1/2"-SAFL208-24
79	P2219801P	U-CLAMP HANGER-10"X2-1/2"-BLACK
80	13031019	55 TRACK
81	P2513202P	2" U-CLAMP -PAINTED
82	P2513212P	2" LOCKING U-CLAMP PAINTED
83	15030015	15 SERIES HITCH
84	15010103	HIGH CABLE BRIDGE
85	15570551	1555 115' 6"
86	P0711109	CABLE-5/16" (75'6")
87	P0711115	CABLE-3/8" (68')
88	P0183021	3/8" EYE BOLT ASM



S-DRIVE (15590020)

ITEM	PART NO.	DESCRIPTION
1	15040001	PINCH SD BOTTOM GUARD
2	15060061	SD COVER PLATE 6-1/2" ROLLER
3	15060079	S-DRIVE TAKEUP BRACKET
4	15060082	PINCH TIGHTENER PLATE
5	15060504	PRETENSIONER 1550
6	15061045	S-DRIVE PINCH
7	15061046	SIDE GUARD LH
8	15061047	SIDE GUARD RH
9	15062010	PINCH PIPE
10	15062179	S-DRIVE SLIDER BOLT PLATE - BOTTOM
11	15062180	S-DRIVE SLIDER BOLT PLATE - TOP
12	15070019	3-1/2" TAKE-UP (PINCH)
13	15070020	3-1/2" TAKE-UP 19.5" SHAFT
14	15070030	DRIVE ROLLER-6-1/2" W/EXT SHAFT
15	P0113000	SPRING TENSION BOLT
16	P0113001	CARRIAGE BOLT 1/2" X 2" PLATED
17	P0113004	CARRIAGE BOLT 1/2" X 1-1/2" PLATED
18	P0118033	BOLT 1/4" X 3/4" GR8 PLATED
19	P0118046	BOLT 3/8" X 1" GR8 PLATED
20	P0131019	NUT 3/4" PLATED GRADE 8
21	P0134026	LOCKNUT-NYLON-3/8" GRADE 8
22	P0134008	LOCKNUT-NYLON-1/2"
23	P0145002	SET SCREW-7/16" X 2-1/2" SQ. HD.
24	P0151015	FLAT WASHER 3/4" PLATED USS
25	P0152004	LOCK WASHER 1/4" PLATED
26	P0167001	SPRING PIN 1/4" X 1-1/2"
27	P0351015	MACHINERY BUSH 3/4" X 1-1/4"-14G PTD.
28	P0511008	SPRING-LD-1300 SERIES
29	P0820129	BUSHING BRASS FLANGED
30	P1210102	BELT TIGHTENER SLIDER PLATE FL208
31	P1711001	FLANGE UNIT-1-1/2"-SAFL208-24
32	P1711004	FLANGE UNIT-1"-SAFL205-16
33	P1721001	TAKE-UP UNIT-1-1/4"-T206-20
34	P2515006	15 S-DRIVE TIGHTENER BOLT
35	P20315001	S-DRIVE RETURN-1" ROLLER

HOPPER (15000304P)

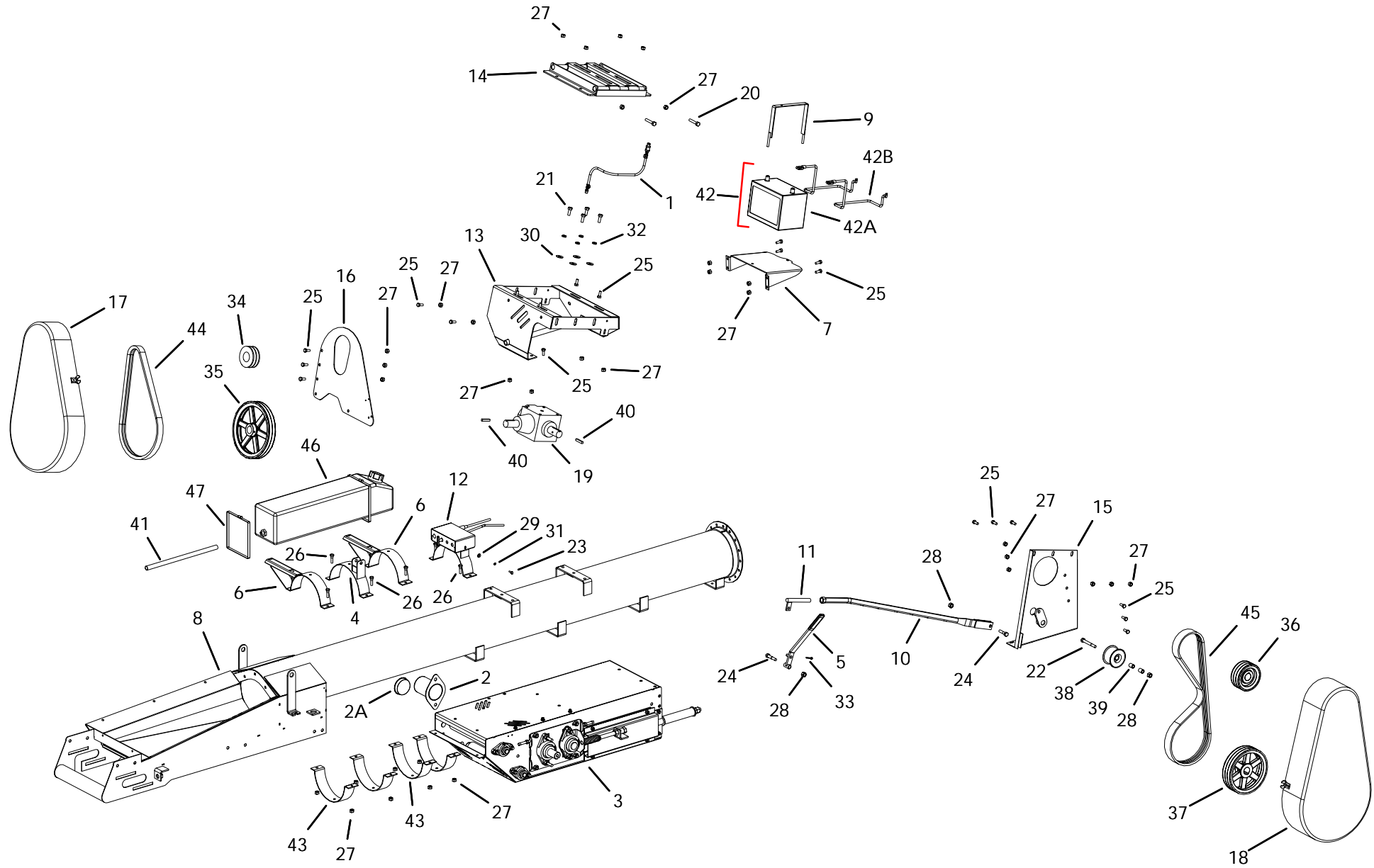


HOPPER (15000304P)

ITEM	PART NO.	DESCRIPTION
1	13052001	LOWER CLOTH FRAME STD BACK
3	15052004	UPPER CLOTH FRAME STD
4	15052101	LOWER CLOTH FRAME STD SIDE
5	15052102	LOWER CLOTH FRAME STD FRONT
6	15070009	HOPPER/SPOUT ROLLER LAGGED
7	P0113004	CARRIAGE BOLT 1/2"X1-1/2"PLATED
8	P0113015	CARRIAGE BOLT 3/8"X1" PLATED
9	P0114007	TAP BOLT 3/4 X 7 PLATED
10	P0118061	BOLT 5/16" X 1" GR8 PLATED
11	P0116001	ELEVATOR BOLT 1/4"X1-1/4"
13	P0131016	NUT 1/4" PLATED GRADE 8
14	P0131017	NUT 5/16" PLATED GRADE 8
15	P0131019	NUT 3/4" PLATED GRADE 8
16	P0134026	LOCKNUT-NYLON-3/8" GRADE 8
17	P0134008	LOCKNUT-NYLON-1/2"
18	P0141002	TEK SCREW 1/4"X1"
19	P0145001	VINYL SCREW CAP
20	P0151006	FLAT WASHER 1/4"PLATED USS
22	P0161003	COTTER PIN 3/16"X1-1/2"PLATED
23	P0162007	HOPPER PIVOT SHAFT-13/15
24	P0521001	HOPPER SPRING-L
25	P0521002	HOPPER SPRING-R
26	P1621007	HOPPER CANVAS-15 CONV.
27	P1641015	TRIM LOCK
28	P1711001	FLANGE UNIT-1-1/2"-SAFL208-24
29	P2515017	PIVOT SHAFT BRACKET
30	P11150047	HOPPER SHIELD
31	P19159000	HOPPER LEFT FLASHING STD
32	P19159001	HOPPER RIGHT FLASHING STD
33	P19159002	HOPPER FRONT FLASHING STD
34	15000314	HOPPER -LINER KIT STD
35	15000306P	HOPPER -FLASHING ONLY STD
36	15000304P	HOPPER -COLLAPSABLE STD

GAS DIRECT DRIVE KIT (15593100)

64

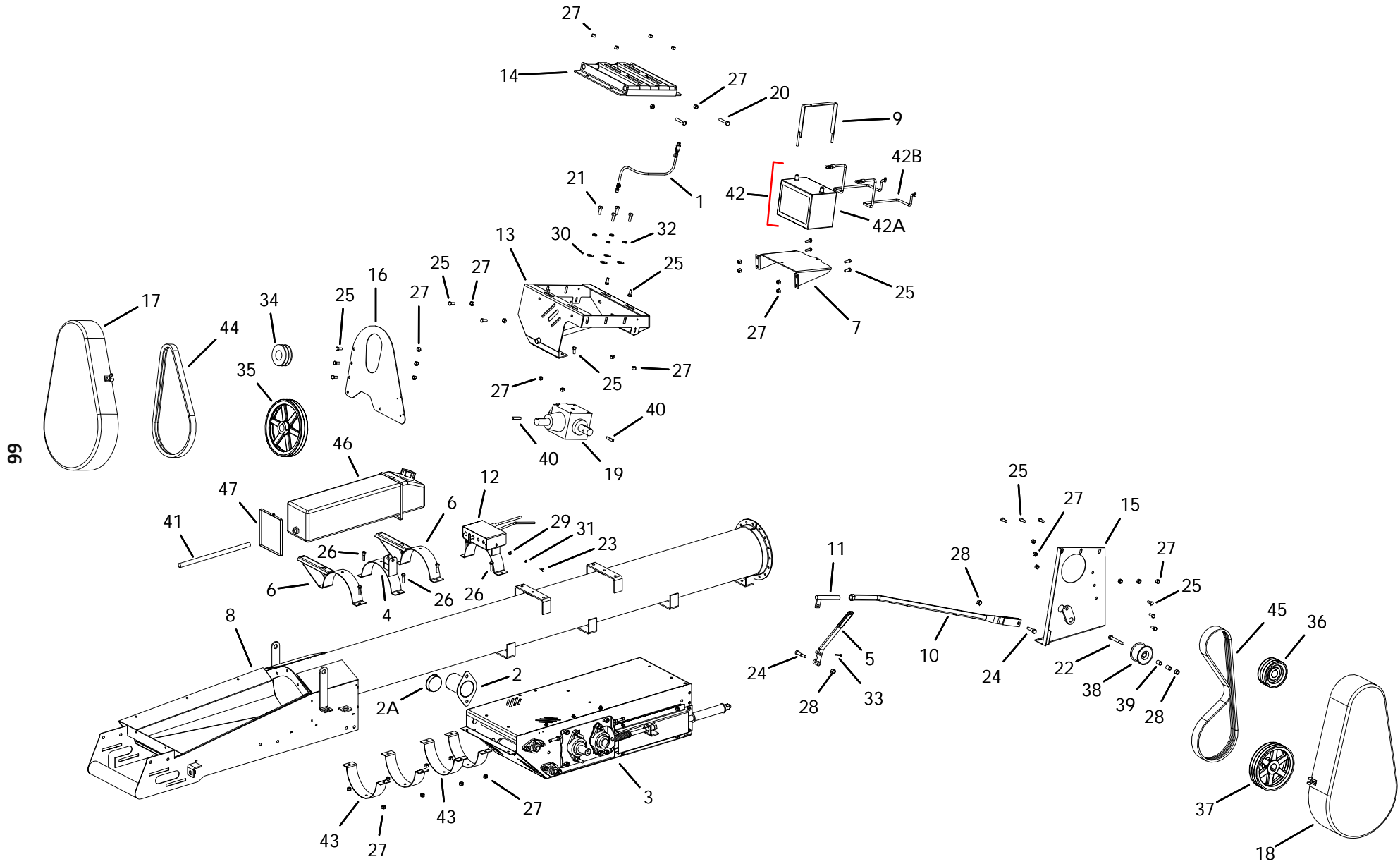


Note: Gas Drive Kit (15593100) does not include item # 8, 34 & 42.

GAS DIRECT DRIVE KIT (15593100)

ITEM	PART NO.	DESCRIPTION
1	01010003	BREATHER DIRECT DRIVE
2	24041038	SHAFT GUARD(FL-210)
3	15590020	S-DRIVE ASM W/PINCH
4	13010048	MOTOR MT OVERCENTER ANCHOR BKT
5	13010054	MOTOR MT OVERCENTER HANDLE
6	13011038	PLASTIC TANK SIDE MOUNT W 2.5" CLAM
7	13012108	MOTOR MOUNT BATTERY MOUNT
8	13020040	BT HOPPER SECTION 10' WITH SD BKTS
9	13060054	BATTERY CLAMP
10	13060068	MOTOR MT OVERCENTER PUSHROD
11	13060074	OVERCENTER ADJUSTER
12	13060080	DIRECT DRV CONTROL BOX
13	13060102	MOTOR MOUNT
14	13060103	SLIDER MOUNT
15	13060105	MOTOR MOUNT BACK PLATE
16	13060107	ENGINE GUARD BACK
17	15040055	PINCH GUARD SMALL ASSEMBLED
18	15040056	PINCH GUARD MED ASSEMBLED
19	15591001	GBOX 90 2:1 CW/CW 1-1/2 4190 W/OIL
20	P0114005	TAP BOLT 1/2 X 2-1/2 GR.8 PLATED
21	P0115020	BOLT 1/2" X 1-1/4" GR5 PLATED
22	P0118130	BOLT 1/2" X 4" GR8 PLATED
23	P0118033	BOLT 1/4" X 3/4" GR8 PLATED
24	P0118016	BOLT 1/2" X 2" GR8 PLATED
25	P0118076	BOLT 7/16"X1" GRADE 8 PLATED
26	P0118077	BOLT 7/16"X1-1/2" GRADE 8 PLATED
27	P0134007	LOCKNUT-NYLON-7/16"
28	P0134008	LOCKNUT-NYLON-1/2"
29	P0151006	FLAT WASHER 1/4"PLATED USS
30	P0151029	FLAT WASHER 1/2"PLATED USS
31	P0152004	LOCK WASHER 1/4"PLATED
32	P0152008	LOCK WASHER 1/2"PLATED
33	P0161003	COTTER PIN 3/16"X1-1/2"PLATED
34	P0328018	PULLEY-DBL-BK-4"H
35	P0328024	PULLEY-DBL-12" W/1-1/2"BORE
36	P0328050	PULLEY-TRPL-6" W/1-1/2"BORE
37	P0328079	PULLEY-TRPL-10" W/1-1/2"BORE
38	P0328910	IDLER-FLAT-4"TRPL 2-7/16"WIDE
39	P0351019	BUSHING 3/4"ODX1/2"IDX1"BRONZE
40	P0391002	KEY 3/8" X 2" LONG
41	P0831008	FUEL LINE-1/4"ID
42	P0951013	BATTERY 420CCA
43	P2219801P	U-CLAMP HANGER-10"X2-1/2"-BLACK
44	P03210531	BELT 2B53 BANDED
45	P03210652	BELT 3B65 BANDED
46	P021200051	GAS TANK W/CAP W/FITTING-22L

GAS DIRECT DRIVE KIT (15593100)



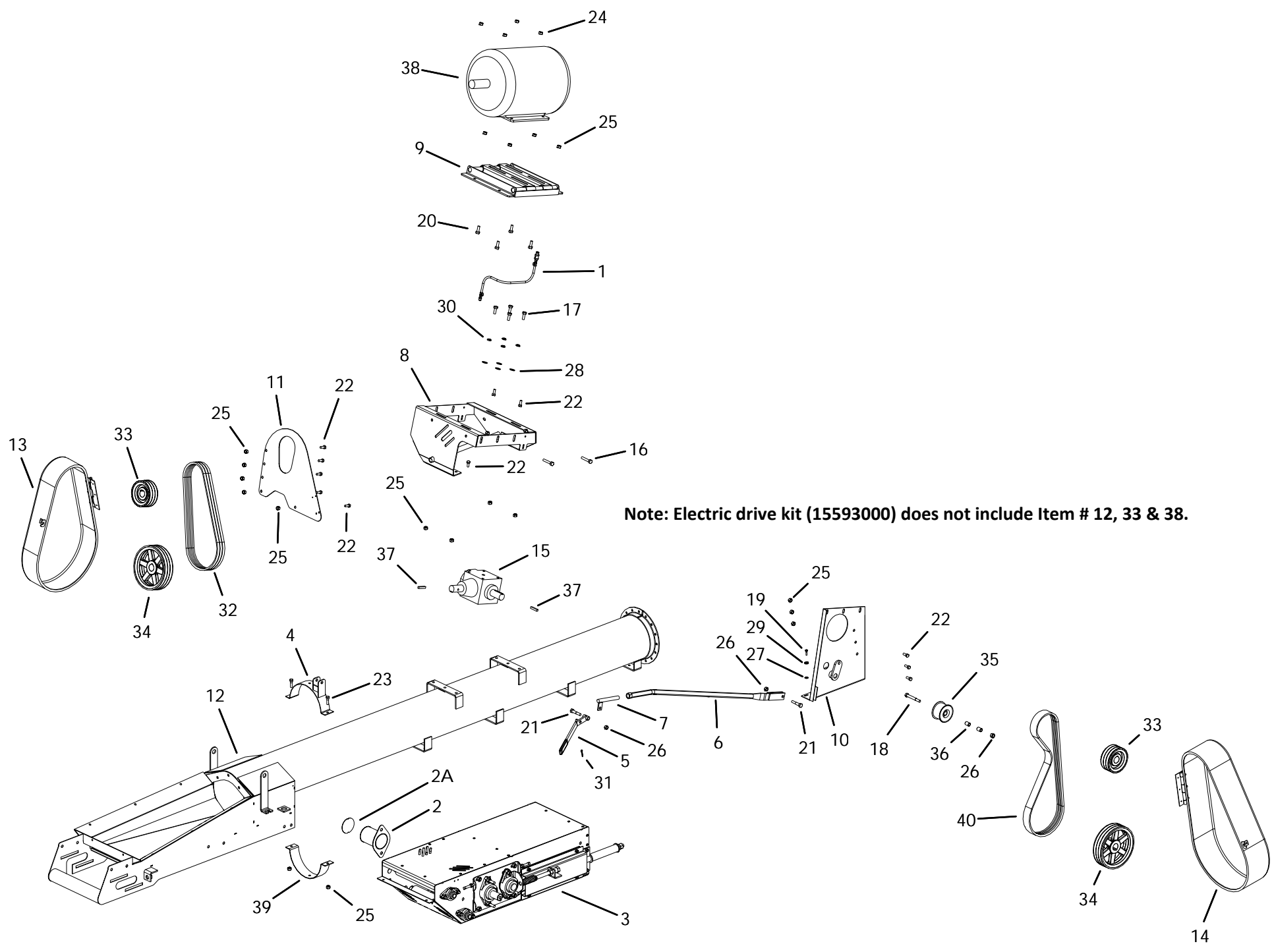
Note: Gas Drive Kit (15593100) does not include item # 8, 34 & 42.

GAS DIRECT DRIVE KIT (15593100)

ITEM	PART NO.	DESCRIPTION
47	P029900216	GEAR CLAMP 32"

ELECTRIC DRIVE KIT (15593000)

68

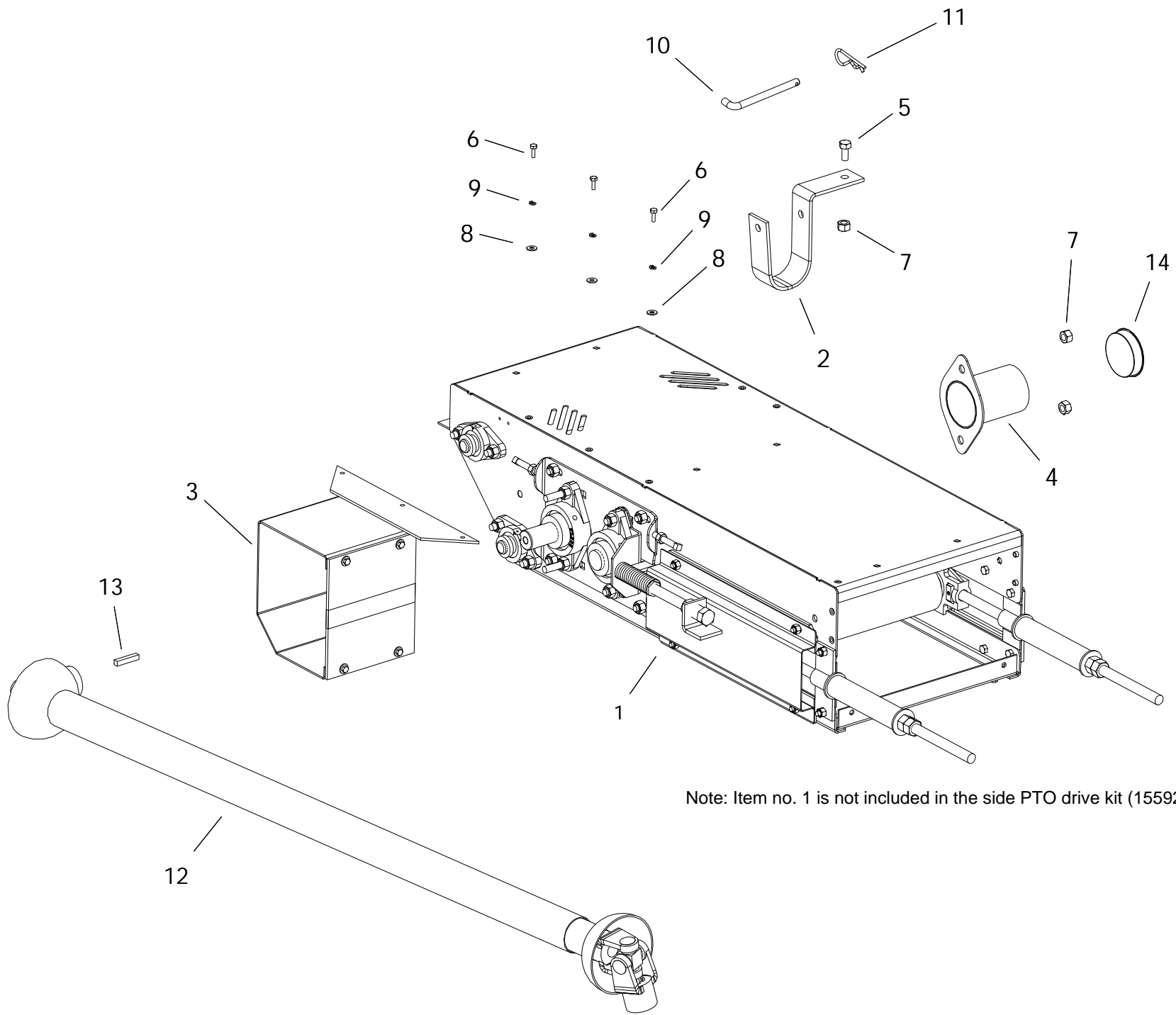


Note: Electric drive kit (15593000) does not include Item # 12, 33 & 38.

ELECTRIC DRIVE KIT (15593000)

ITEM	PART NO.	DESCRIPTION
1	01010003	BREATHER DIRECT DRIVE
2	24041038	SHAFT GUARD(FL-210)
3	15590020	S-DRIVE ASM W/PINCH
4	13010048	MOTOR MT OVERCENTER ANCHOR BKT
5	13010054	MOTOR MT OVERCENTER HANDLE
6	13060068	MOTOR MT OVERCENTER PUSHROD
7	13060074	OVERCENTER ADJUSTER
8	13060102	MOTOR MOUNT
9	13060103	SLIDER MOUNT
10	13060105	MOTOR MOUNT BACK PLATE
11	13060107	ENGINE GUARD BACK
12	15020040	BT HOPPER SECTION 10' WITH SD BKTS
13	15040055	PINCH GUARD SMALL ASSEMBLED
14	15040056	PINCH GUARD MED ASSEMBLED
15	15591000	GBOX 90 1:1 CW/CW 1-1/2 4190 W/OIL
16	P0114005	TAP BOLT 1/2 X 2-1/2 GR.8 PLATED
17	P0115020	BOLT 1/2" X 1-1/4" GR5 PLATED
18	P0118130	BOLT 1/2" X 4" GR8 PLATED
19	P0118131	BOLT 1/4" X 1" GR8 PLATED
20	P0118061	BOLT 5/16" X 1" GR8 PLATED
21	P0118016	BOLT 1/2" X 2" GR8 PLATED
22	P0118076	BOLT 7/16"X1" GRADE 8 PLATED
23	P0118077	BOLT 7/16"X1-1/2" GRADE 8 PLATED
24	P0134027	LOCKNUT-NYLON-5/16" GRADE 8
25	P0134007	LOCKNUT-NYLON-7/16"
26	P0134008	LOCKNUT-NYLON-1/2"
27	P0151006	FLAT WASHER 1/4"PLATED USS
28	P0151029	FLAT WASHER 1/2"PLATED USS
29	P0152004	LOCK WASHER 1/4"PLATED
30	P0152008	LOCK WASHER 1/2"PLATED
31	P0161003	COTTER PIN 3/16"X1-1/2"PLATED
32	P0321052	BELT B52
33	P0328050	PULLEY-TRPL-6" W/1-1/2"BORE
34	P0328079	PULLEY-TRPL-10" W/1-1/2"BORE
35	P0328910	IDLER-FLAT-4"TRPL 2-7/16"WIDE
36	P0351019	BUSHING 3/4"ODX1/2"IDX1"BRONZE
37	P0391002	KEY 3/8" X 2" LONG
38	P0931004	ELECTRIC MOTOR 10HP
39	P2219801P	U-CLAMP HANGER-10"X2-1/2"-BLACK
40	P03210652	BELT 3B65 BANDED

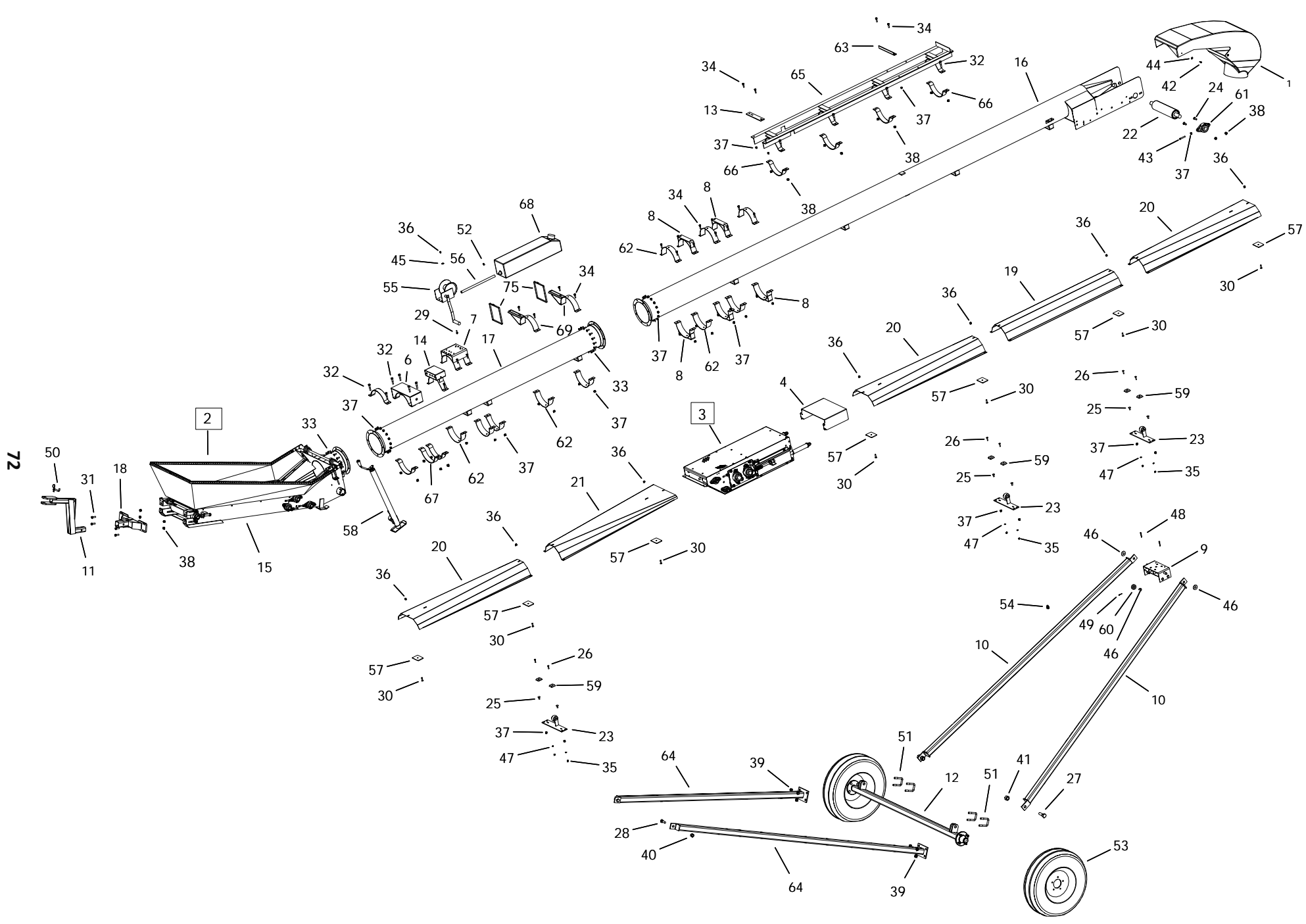
SIDE P.T.O. DRIVE KIT 15 SERIES (15592200)



Note: Item no. 1 is not included in the side PTO drive kit (15592200)

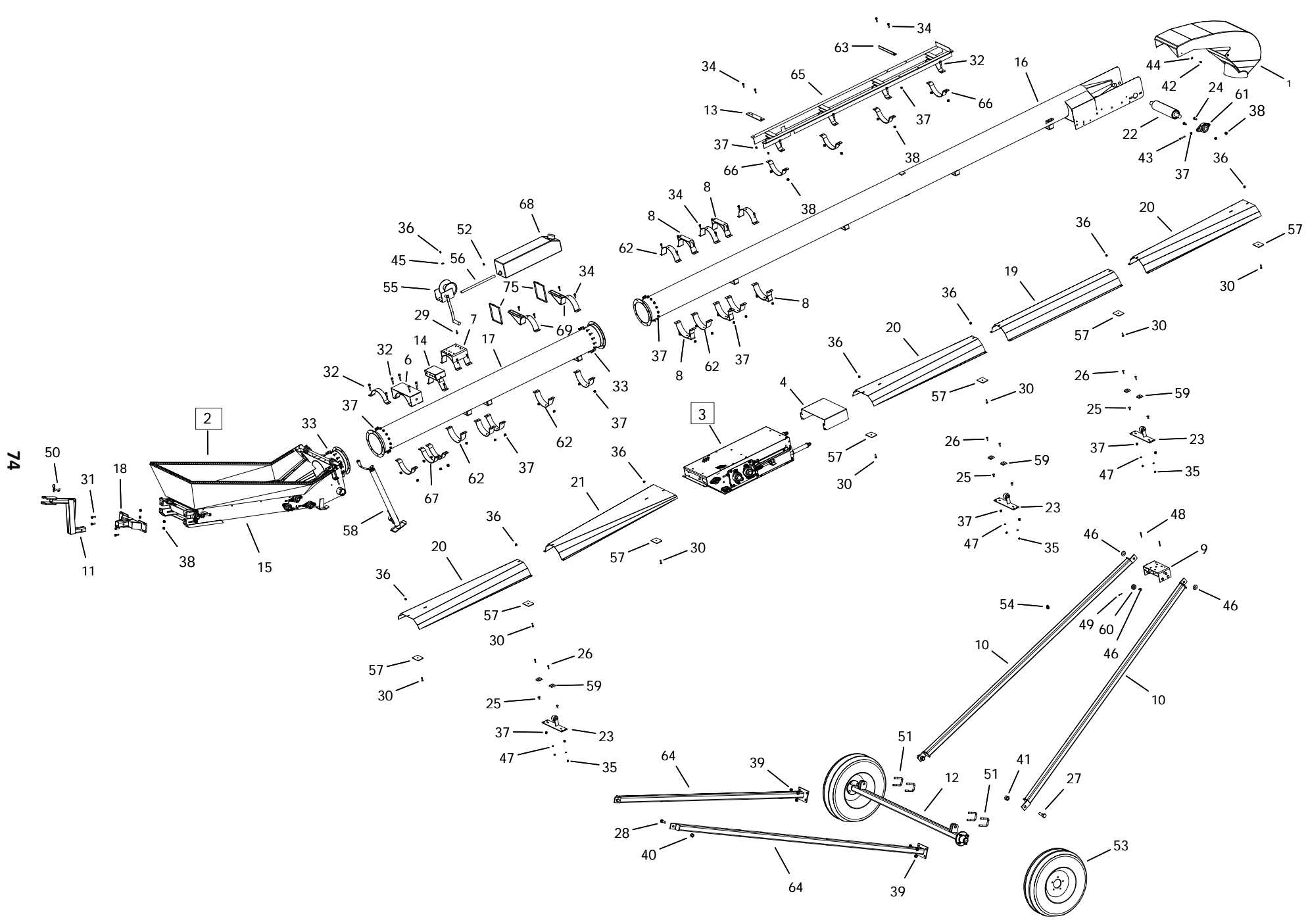
SIDE P.T.O. DRIVE KIT 15 SERIES (15592200)

ITEM	PART NO.	DESCRIPTION
1	15590020	S-DRIVE ASM W/PINCH
2	13042018	PTO CRADLE
3	15040002	PTO GUARD
4	15041038	SHAFT GUARD(FL-208)
5	P0118012	BOLT 1/2" X 1" GR8 PLATED
6	P0118033	BOLT 1/4" X 3/4" GR8 PLATED
7	P0134008	LOCKNUT-NYLON-1/2"
8	P0151006	FLAT WASHER 1/4"PLATED USS
9	P0152004	LOCK WASHER 1/4"PLATED
10	P0162004	HITCH PIN 1/2" X 5" PLATED
11	P0163001	HAIR PIN 3/16" X 3-1/4"
12	P0381014	PTO SHAFT 1-1/2"X75"
13	P0391002	KEY 3/8" X 2" LONG
14	P1210033	501 SHAFT GUARD PLUG



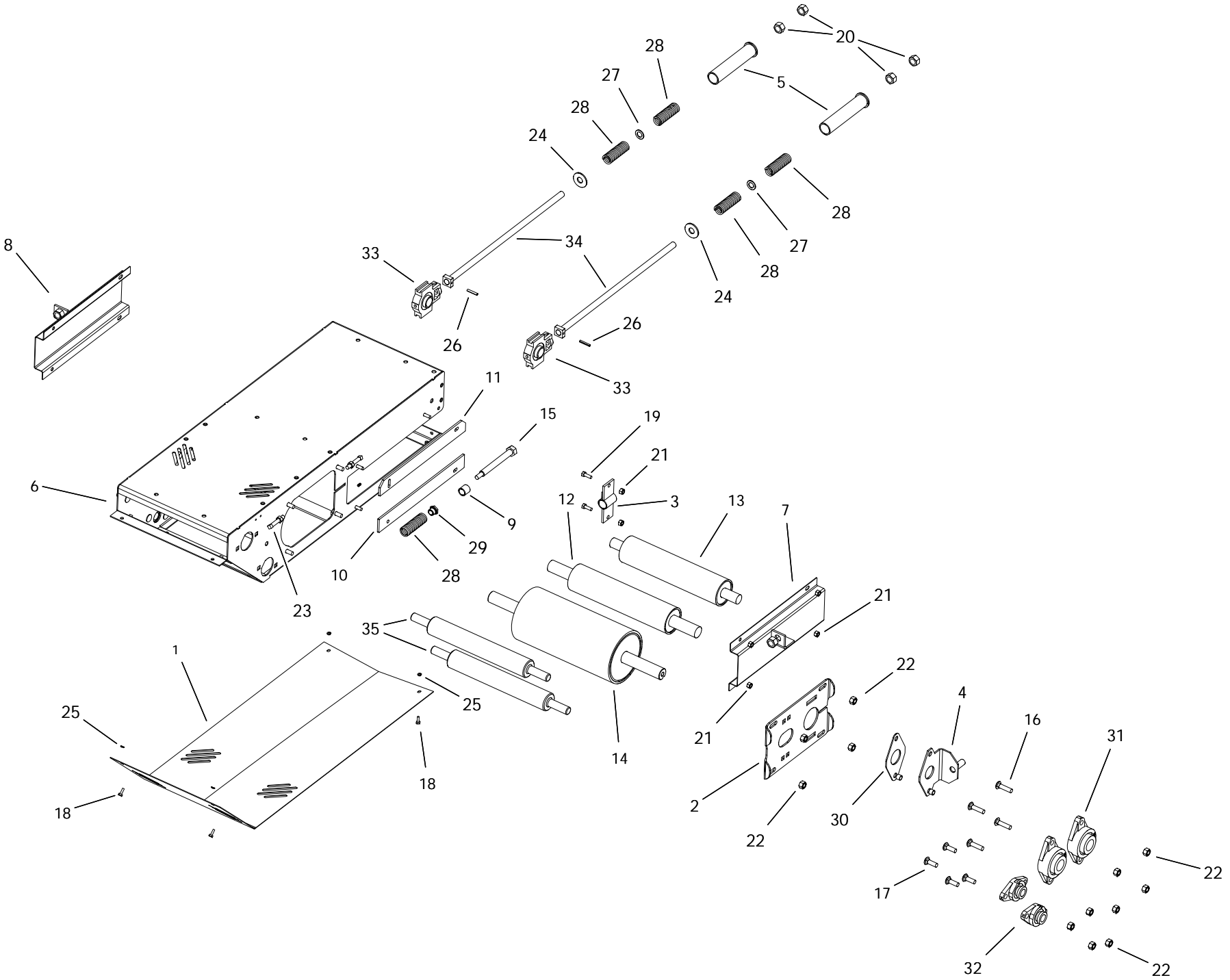
1535 FL-15503522

ITEM	PART NO.	DESCRIPTION
1	P1211501	HOOD-ROUND 15 SERIES (KANBAN)
2	15000303P	HOPPER -COLLAPSABLE 1515
3	15590020	S-DRIVE ASM W/PINCH
4	15040040	PINCH DRIVE FRONT GUARD
6	13010008	SUSPENSION BRACKET-NO TABS
7	13011013	WINCH MOUNT HD
8	13011043	PINCH S-DRIVE MOUNT BRACKET
9	13030042	13/15 TRACK SLIDER
10	13030053	1330TD/1335FL Upright Arms
11	13030096	FL Z-DROP TONGUE
12	13030100	AXLE 30-45-2-1/2" (WITH 8 LUGS)
13	13032094	35/45 SMALL CABLE ATTACH
14	13060080	DIRECT DRV CONTROL BOX
15	15000320	HOPPER TYPE -TRANSFER
16	15020047	SPOUT SECTION 20' W/RTRN MOUNTS
17	15020054	UPPER CENTER TUBE 10'
18	15030007	HITCH FL (ONE PC)
19	15042101	WEATHER GUARD 5' - 61-1/2"
20	15042102	WEATHER GUARD 5' FLR - 61-1/2"
21	15042103	WEATHER GUARD 5' FLAT - 61-1/2"
22	15070009	HOPPER/SPOUT ROLLER LAGGED
23	150100811	WEATHER GUARD MOUNT BAR KIT-POLY
24	P0113004	CARRIAGE BOLT 1/2"X1-1/2"PLATED
25	P0113013	CARRIAGE BOLT 7/16"X1" PLATED
26	P0113020	CARRIAGE BOLT 5/16"X1-1/2"PLATED
27	P0118004	BOLT 1" X 3" GR8 PLATED
28	P0115111	BOLT 3/4" X 2" GR8 PLATED
29	P0118046	BOLT 3/8" X 1" GR8 PLATED
30	P0115303	CAPSCREW 3/8X1-1/4FLT HD SOCKET PTD
31	P0118013	BOLT 1/2"X1 1/2" GR.8 PLATED
32	P0118017	BOLT 1/2"X2-1/2"GRADE 8 PLATED
33	P0118076	BOLT 7/16"X1" GRADE 8 PLATED
34	P0118077	BOLT 7/16"X1-1/2" GRADE 8 PLATED
35	P0134027	LOCKNUT-NYLON-5/16" GRADE 8
36	P0134026	LOCKNUT-NYLON-3/8" GRADE 8
37	P0134007	LOCKNUT-NYLON-7/16"
38	P0134008	LOCKNUT-NYLON-1/2"
39	P01340101	LOCKNUT-NYLON-5/8" GRADE 8
40	P0134029	LOCKNUT-NYLON-3/4" GRADE 8
41	P0134030	LOCKNUT-NYLON-1" GRADE 8
42	P0141002	TEK SCREW 1/4"X1"
43	P0145002	SET SCREW-7/16"X2-1/2"SQ.HD.
44	P0151006	FLAT WASHER 1/4"PLATED USS
45	P0151009	FLAT WASHER 3/8"PLATED USS
46	P0151031	FLAT WASHER 1"PLATED USS
47	P0152010	LOCK WASHER 5/16"PLATED



1535 FL-15503522

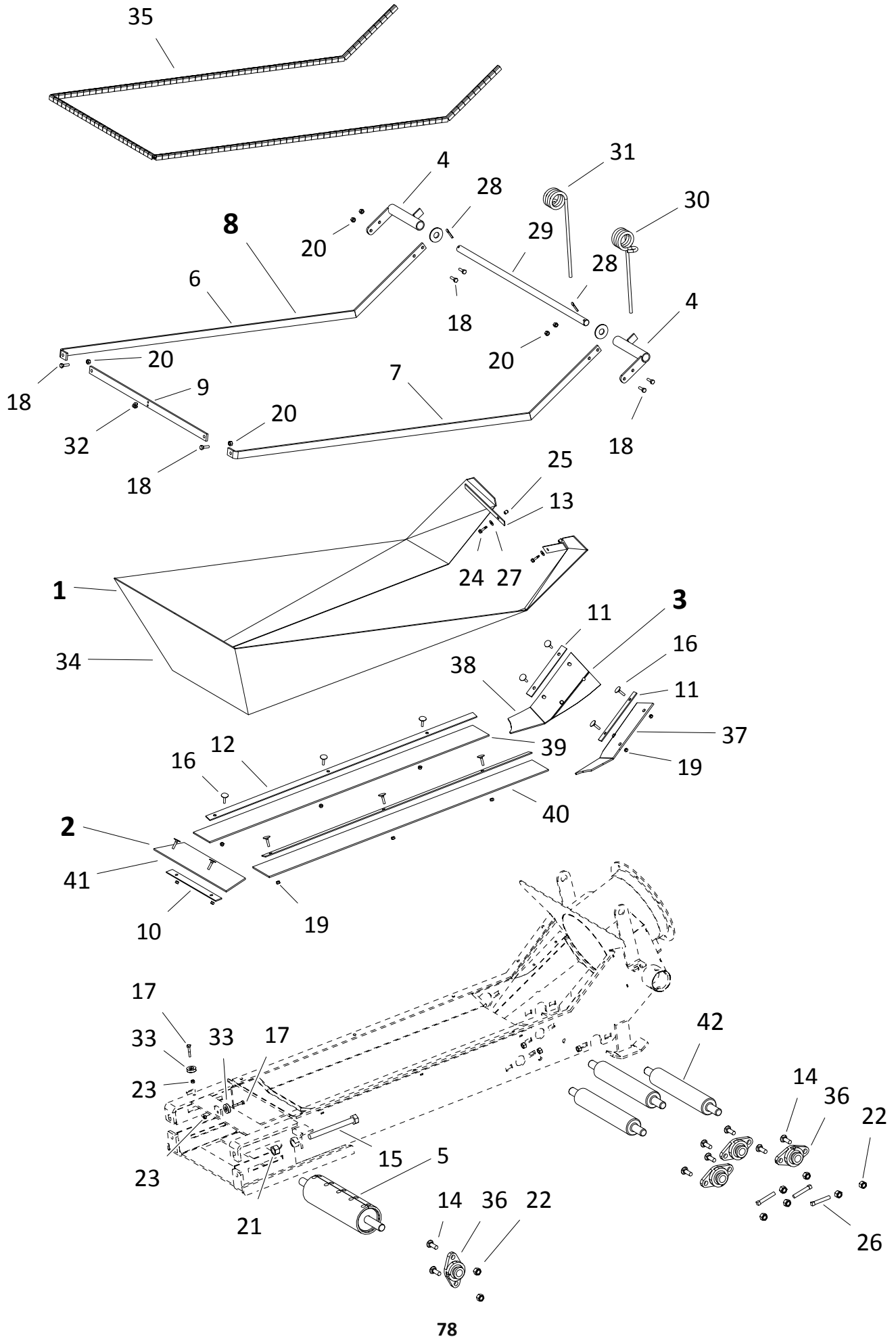
ITEM	PART NO.	DESCRIPTION
48	P0161001	Cotter Pin 1/4 x 2
49	P0161002	COTTER PIN 5/32X1-1/2" PLATED
50	P0162001	HITCH PIN 1/2" X 3" PLATED
51	P0183003	U-BOLT 2-1/2" X 2-1/2" (5/8) PLATED
52	P0184033	WIRE HOSE CLAMP .500"
53	P0615301	5 Bolt Tire Assembly
54	P0712105	CABLE CLAMP-5/16" GALV.
55	P0714102	WINCH-1500# BRAKE
56	P0831008	FUEL LINE-1/4"ID
57	P1010001	UNI-MOUNT PLATE CAST
58	P1012010	JACK-1000LB ROUND JACK (15" EXT)
59	P1210030	BELT GUIDE BLOCK
60	P1211305	ROLLER 2" NYLON
61	P1711001	FLANGE UNIT-1-1/2"-SAFL208-24
62	P2219801P	U-CLAMP HANGER-10"X2-1/2"-BLACK
63	13032125	BOLT ON ANGLE
64	13030102	AXLE ARM 30/35TD/45-2-1/2"
65	13031020	13/15 4 BAND TRACK
66	P2513202P	2" U-CLAMP -PAINTED
67	P2513212P	2" LOCKING U-CLAMP PAINTED
68	P021200051	GAS TANK W/CAP W/FITTING-22L
69	13011038	PLASTIC TANK SIDE MOUNT W 2.5" CLAM
70	P2227989	MANUAL HOLDER AND LID
71	P1243001	CABLE TIE 14" 120 LB
73	P0711108	CABLE-5/16" (44') (50740)
74	15570352	1535FL 85'
75	P029900216	GEAR CLAMP 32"
76	P0712114	THROTTLE CONTROL 15'
77	P0712102	CHOKE CABLE-15' LOCKING
78	15555300	CASTOR TONGUE WHEEL (NOT SHOWN)



S-DRIVE (15590020)

ITEM	PART NO.	DESCRIPTION
1	15040001	PINCH SD BOTTOM GUARD
2	15060061	SD COVER PLATE 6-1/2"ROLLER
3	15060079	S-DRIVE TAKEUP BRACKET
4	15060082	PINCH TIGHTENER PLATE
5	15060504	PRETENSIONER 1550
6	15061045	S-DRIVE PINCH
7	15061046	SIDE GUARD LH
8	15061047	SIDE GUARD RH
9	15062010	PINCH PIPE
10	15062179	S-DRIVE SLIDER BOLT PLATE - BOTTOM
11	15062180	S-DRIVE SLIDER BOLT PLATE - TOP
12	15070019	3-1/2"TAKE-UP (PINCH)
13	15070020	3-1/2"TAKE-UP 19.5"SHAFT
14	15070030	DRIVE ROLLER-6-1/2" W/EXT SHAFT
15	P0113000	SPRING TENSION BOLT
16	P0113001	CARRIAGE BOLT 1/2"X2" PLATED
17	P0113004	CARRIAGE BOLT 1/2"X1-1/2"PLATED
18	P0118033	BOLT 1/4" X 3/4" GR8 PLATED
19	P0118046	BOLT 3/8" X 1" GR8 PLATED
20	P0131019	NUT 3/4" PLATED GRADE 8
21	P0134026	LOCKNUT-NYLON-3/8" GRADE 8
22	P0134008	LOCKNUT-NYLON-1/2"
23	P0145002	SET SCREW-7/16"X2-1/2"SQ.HD.
24	P0151015	FLAT WASHER 3/4"PLATED USS
25	P0152004	LOCK WASHER 1/4"PLATED
26	P0167001	SPRING PIN 1/4" X 1-1/2"
27	P0351015	MACHINERY BUSH 3/4"X1-1/4"-14G PTD.
28	P0511008	SPRING-LD-1300 SERIES
29	P0820129	BUSHING BRASS FLANGED
30	P1210102	BELT TIGHTENER SLIDER PLATE FL208
31	P1711001	FLANGE UNIT-1-1/2"-SAFL208-24
32	P1711004	FLANGE UNIT-1"-SAFL205-16
33	P1721001	TAKE-UP UNIT-1-1/4"-T206-20
34	P2515006	15 S-DRIVE TIGHTENER BOLT
35	P20315001	S-DRIVE RETURN-1" ROLLER

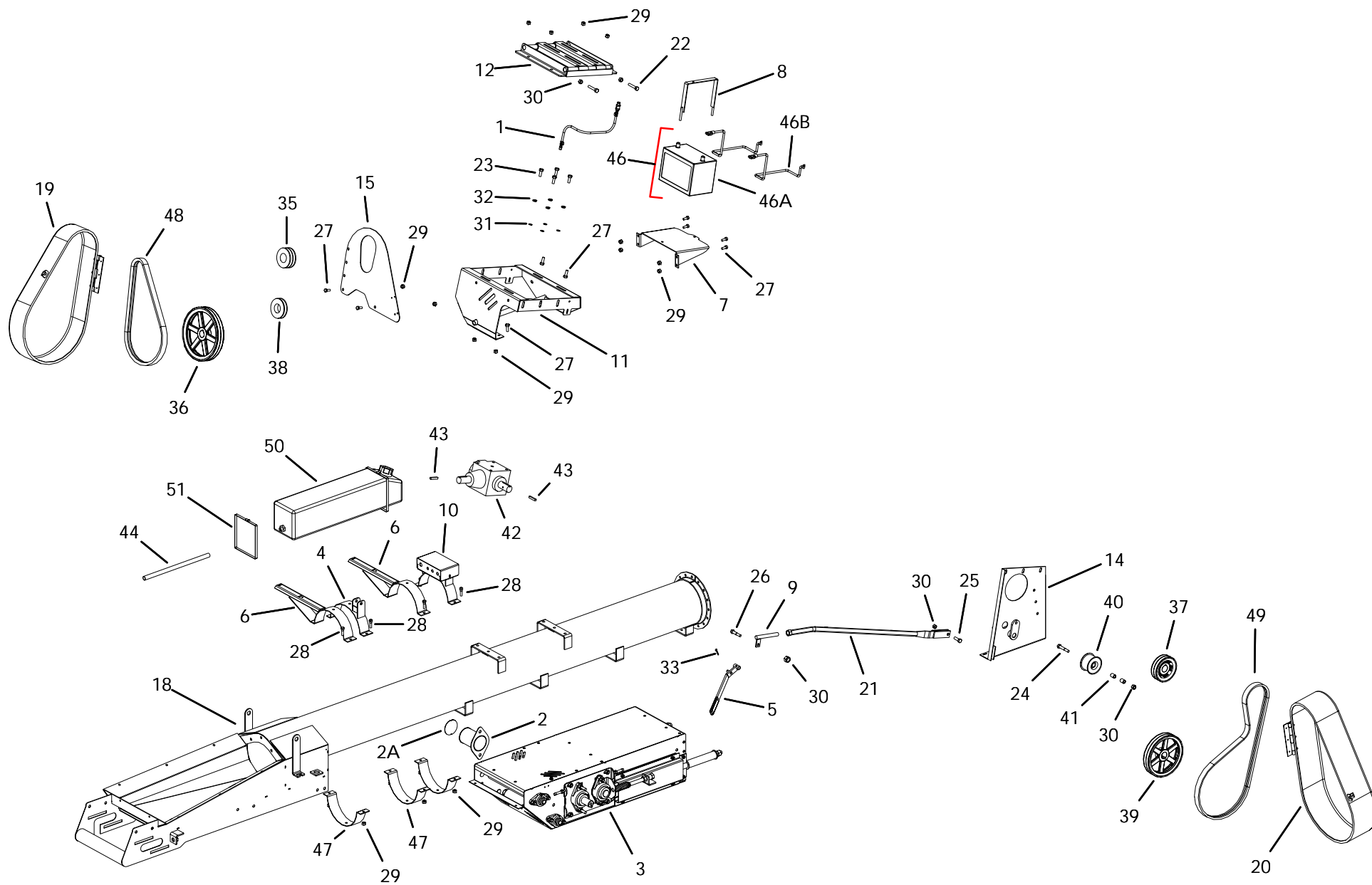
HOPPER (15000303P)



HOPPER (15000303P)

ITEM	PART NO.	DESCRIPTION
1	15000303P	HOPPER -COLLAPSABLE 1515
2	15000307P	HOPPER LINER KIT 1515LP
3	15000308P	HOPPER -FLASHING ONLY 1515LP
4	15050010	PIVOT SHAFT RIGHT
5	15070012	TAKE-UP ROLLER-1-1/4" LAGGED
6	15100001	UPPER CLOTH FRAME TR RIGHT
7	15100002	UPPER CLOTH FRAME TR LEFT
8	15100021	HOPPER CLOTH FRAME-UPPER 1515LP
9	15102052	UPPER CLOTH FRAME TR FRONT
10	15102058	LOWER CLOTH FRAME TR FRONT
11	15102059	LOWER CLOTH FRAME TR TRANSITION
12	15102060	LOWER CLOTH FRAME TR SIDE
13	15102061	LOWER CLOTH FRAME TR BACK
14	P0113004	CARRIAGE BOLT 1/2"X1-1/2"PLATED
15	P0114007	TAP BOLT 3/4 X 7 PLATED
16	P0116001	ELEVATOR BOLT 1/4"X1-1/4"
17	P0118026	BOLT 1/4" X 1-1/2" GR8 PLATED
18	P0118061	BOLT 5/16" X 1" GR8 PLATED
19	P0131016	NUT 1/4" PLATED GRADE 8
20	P0131017	NUT 5/16" PLATED GRADE 8
21	P0131112	NUT 3/4"PLATED
22	P0134008	LOCKNUT-NYLON-1/2"
23	P0134023	LOCKNUT-NYLON-1/4" GR8
24	P0141002	TEK SCREW 1/4"X1"
25	P0145001	VINYL SCREW CAP
26	P0145002	SET SCREW-7/16"X2-1/2"SQ.HD.
27	P0151006	FLAT WASHER 1/4"PLATED USS
28	P0161003	COTTER PIN 3/16"X1-1/2"PLATED
29	P0162007	HOPPER PIVOT SHAFT-13/15
30	P0521001	HOPPER SPRING-L
31	P0521002	HOPPER SPRING-R
32	P0712104	CABLE CLAMP-1/8" GALV.
33	P0713104	CABLE SHEAVE-1-1/4" W/BEARING
34	P1621010	HOPPER CANVAS 1515LP
35	P1641015	TRIM LOCK
36	P1711002	FLANGE UNIT-1-1/4"-SAFL206-20
37	P11139006	HOPPER FLASHING TRANSITION LEFT FL
38	P11139007	HOPPER FLASHING TRANSITION RIGHT FL
39	P19159008	FL HOPPER FLASHING LH
40	P19159009	FL HOPPER FLASHING RH
41	P19159012	FRONT HOPPER FLASHING
42	P20315002	TRANSITION ROLLER

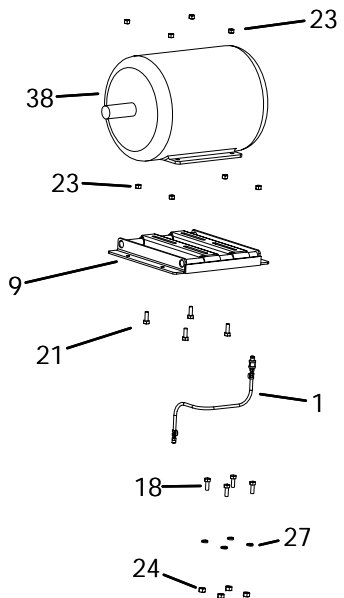
1535FL GAS DIRECT DRIVE KIT (15593120)



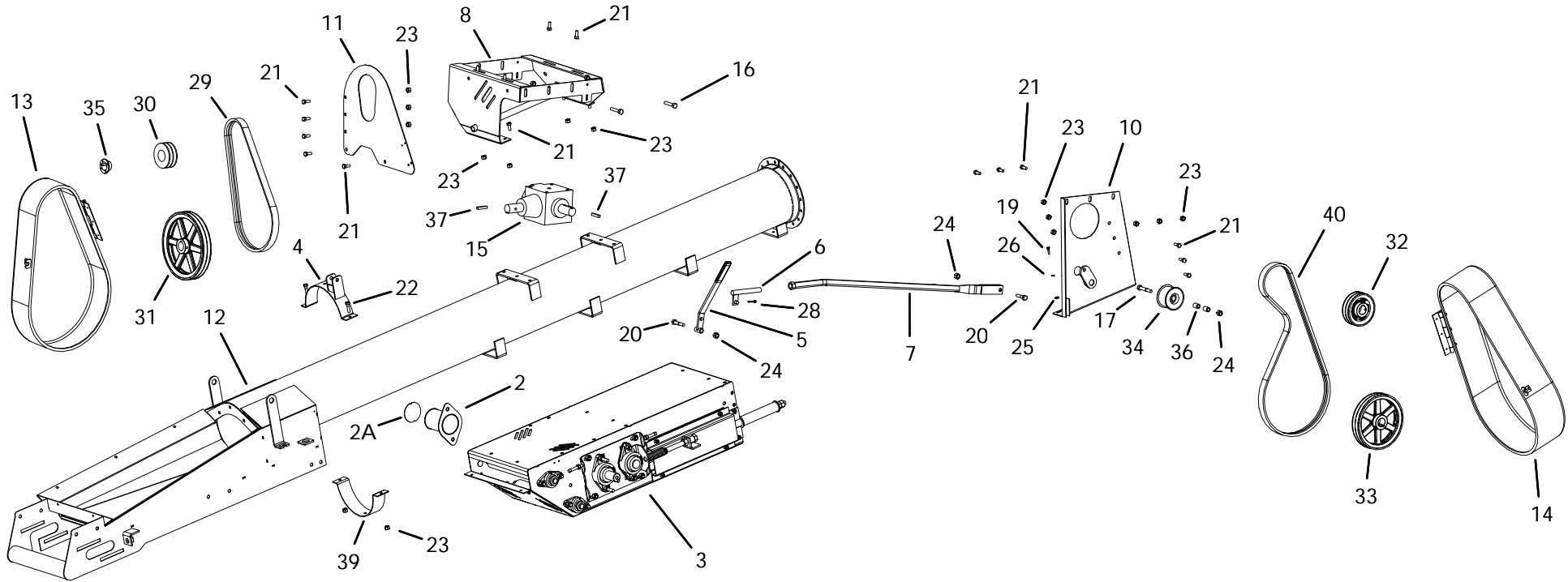
Note: Gas direct drive Kit (15593120) does not include item # 18, 35 & 46.

1535FL GAS DIRECT DRIVE KIT (15593120)

ITEM	PART NO.	DESCRIPTION
1	01010003	BREATHER DIRECT DRIVE
2	24041038	SHAFT GUARD(FL-210)
3	15590020	S-DRIVE ASM W/PINCH
4	13010048	MOTOR MT OVERCENTER ANCHOR BKT
5	13010054	MOTOR MT OVERCENTER HANDLE
6	13011039	EXT. PLASTIC TANK SIDE MOUNT
7	13012108	MOTOR MOUNT BATTERY MOUNT
8	13060054	BATTERY CLAMP
9	13060074	OVERCENTER ADJUSTER
10	13060080	DIRECT DRV CONTROL BOX
11	13060102	MOTOR MOUNT
12	13060103	SLIDER MOUNT
14	13060105	MOTOR MOUNT BACK PLATE
15	13060107	ENGINE GUARD BACK
18	15020040	BT HOPPER SECTION 10' WITH SD BKTS
19	15040055	PINCH GUARD SMALL ASSEMBLED
20	15040056	PINCH GUARD MED ASSEMBLED
21	24060084	24 MOTOR MT OVERCENTER PUSHROD
22	P0114005	TAP BOLT 1/2 X 2-1/2 GR.8 PLATED
23	P0115020	BOLT 1/2" X 1-1/4" GR5 PLATED
24	P0118130	BOLT 1/2" X 4" GR8 PLATED
25	P0118013	BOLT 1/2"X1 1/2" GR.8 PLATED
26	P0118017	BOLT 1/2"X2-1/2"GRADE 8 PLATED
27	P0118076	BOLT 7/16"X1" GRADE 8 PLATED
28	P0118077	BOLT 7/16"X1-1/2" GRADE 8 PLATED
29	P0134007	LOCKNUT-NYLON-7/16"
30	P0134008	LOCKNUT-NYLON-1/2"
31	P0151029	FLAT WASHER 1/2"PLATED USS
32	P0152008	LOCK WASHER 1/2"PLATED
33	P0161003	COTTER PIN 3/16"X1-1/2"PLATED
35	P0328018	PULLEY-DBL-BK-4"H
36	P0328024	PULLEY-DBL-12" W/1-1/2"BORE
37	P0328025	PULLEY-DBL-6" W/1-1/2"BORE
39	P0328062	PULLEY-DBL-10" W/1-1/2"BORE
40	P0328910	IDLER-FLAT-4"TRPL 2-7/16"WIDE
41	P0351019	BUSHING 3/4"ODX1/2"IDX1"BRONZE
42	15591001	GBOX 90 2:1 CW/CW 1-1/2 4190 W/OIL
43	P0391002	KEY 3/8" X 2" LONG
44	P0831008	FUEL LINE-1/4"ID
46	P0951013	BATTERY 420CCA
47	P2219801P	U-CLAMP HANGER-10"X2-1/2"-BLACK
48	P03210531	BELT 2B53 BANDED
49	P03210652	BELT 3B65 BANDED
50	P021200051	GAS TANK W/CAP W/FITTING-22L
51	P029900216	GEAR CLAMP 32"

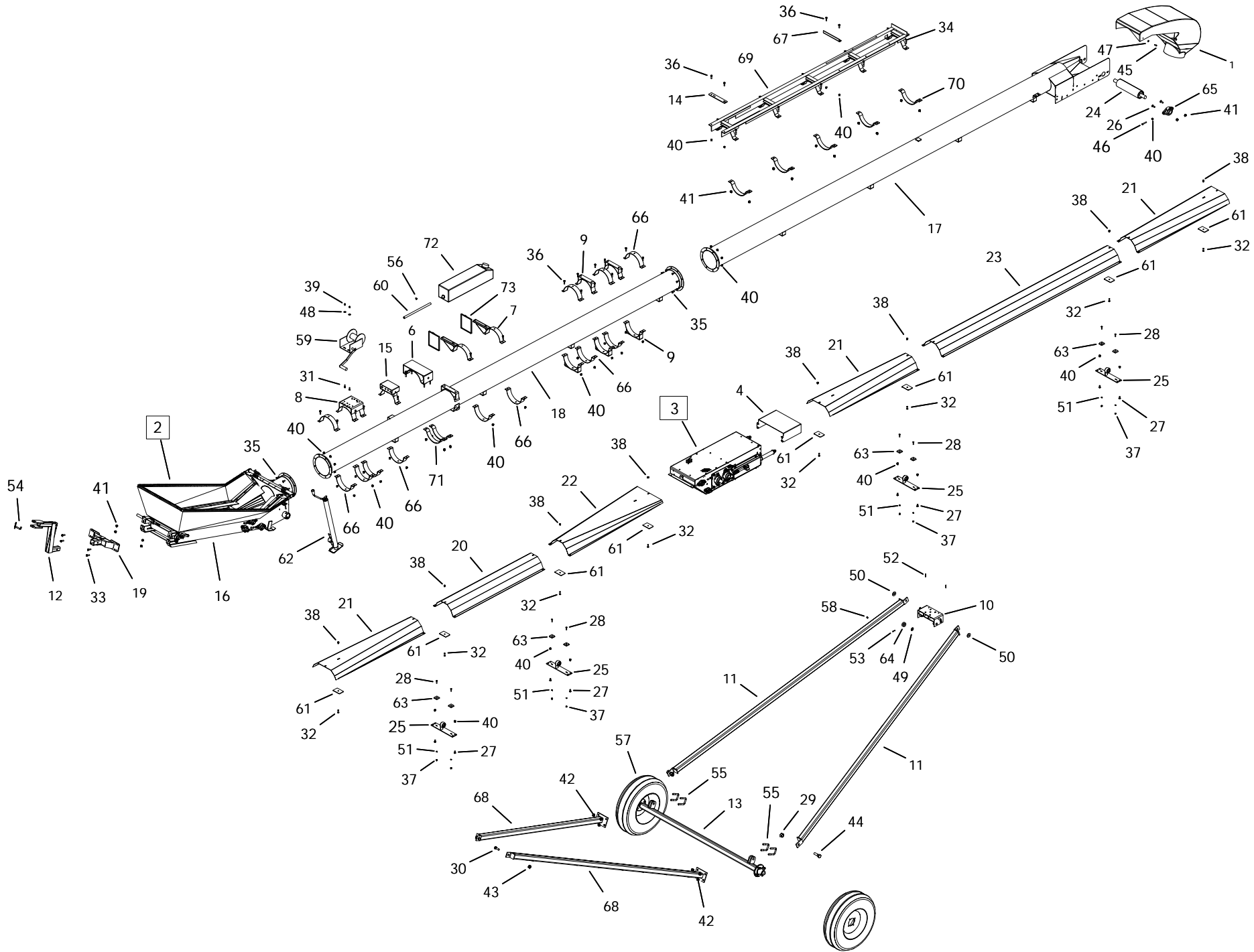


Note: Electric drive kit (15593010) does not include Item # 30, 38.



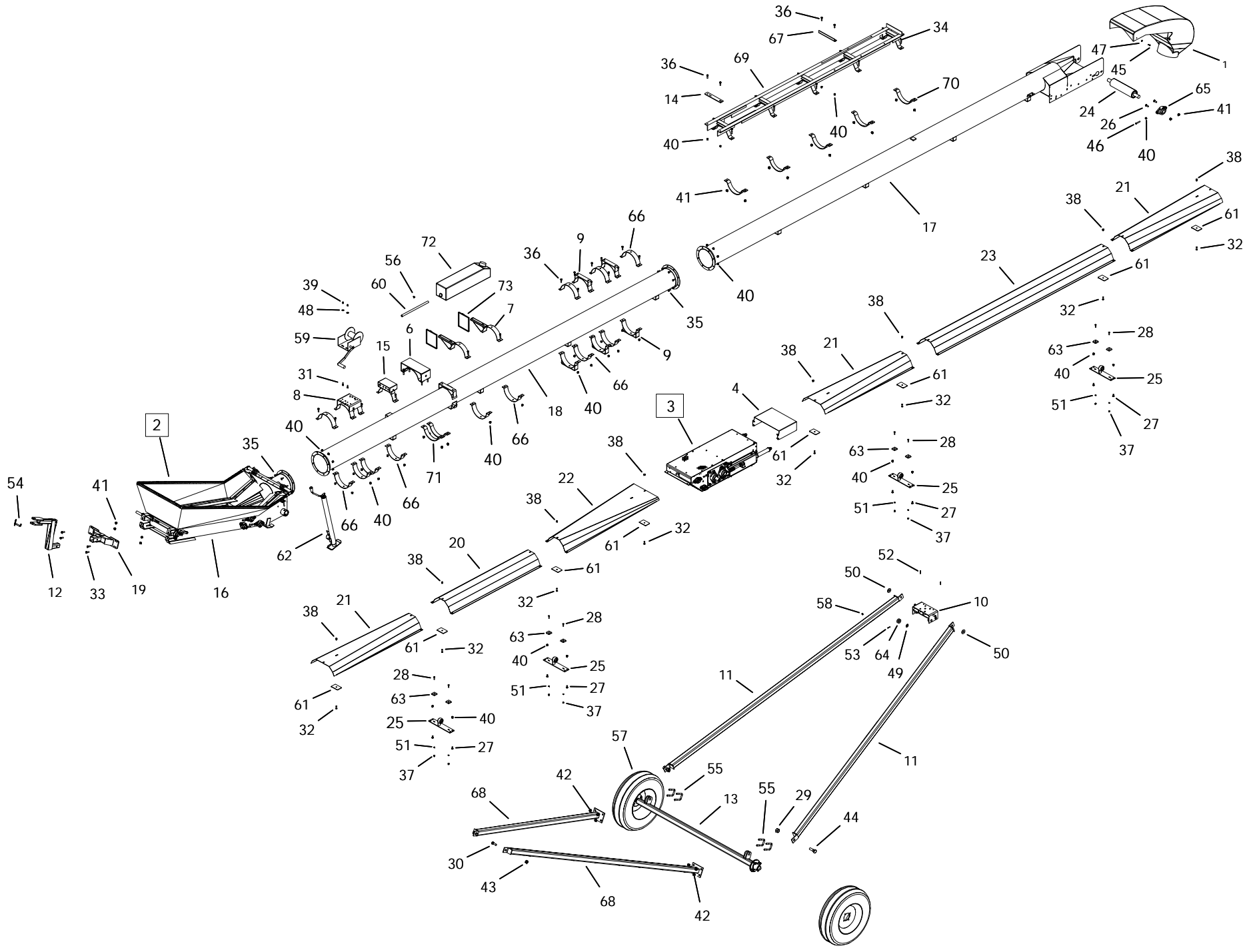
ELECTRIC DRIVE KIT (15593010)

ITEM	PART NO.	DESCRIPTION
1	01010003	BREATHER DIRECT DRIVE
2	24041038	SHAFT GUARD(FL-210)
3	15590020	S-DRIVE ASM W/PINCH
4	13010048	MOTOR MT OVERCENTER ANCHOR BKT
5	13010054	MOTOR MT OVERCENTER HANDLE
6	13060074	OVERCENTER ADJUSTER
7	13060084	A-FRAME OVERCENTER PULLROD
8	13060102	MOTOR MOUNT
9	13060103	SLIDER MOUNT
10	13060105	MOTOR MOUNT BACK PLATE
11	13060107	ENGINE GUARD BACK
12	15020040	BT HOPPER SECTION 10' WITH SD BKTS
13	15040055	PINCH GUARD SMALL ASSEMBLED
14	15040056	PINCH GUARD MED ASSEMBLED
15	15591000	GBOX 90 1:1 CW/CW 1-1/2 4190 W/OIL
16	P0114005	TAP BOLT 1/2 X 2-1/2 GR.8 PLATED
17	P0118018	BOLT 1/2" X 3" GR8 PLATED
18	P0115020	BOLT 1/2" X 1-1/4" GR5 PLATED
19	P0118131	BOLT 1/4" X 1" GR8 PLATED
20	P0118017	BOLT 1/2"X2-1/2"GRADE 8 PLATED
21	P0118076	BOLT 7/16"X1" GRADE 8 PLATED
22	P0118077	BOLT 7/16"X1-1/2" GRADE 8 PLATED
23	P0134007	LOCKNUT-NYLON-7/16"
24	P0134008	LOCKNUT-NYLON-1/2"
25	P0151006	FLAT WASHER 1/4"PLATED USS
26	P0152004	LOCK WASHER 1/4"PLATED
27	P0152008	LOCK WASHER 1/2"PLATED
28	P0161003	COTTER PIN 3/16"X1-1/2"PLATED
29	P0321052	BELT B52
30	P0328018	PULLEY-DBL-BK-4"H
31	P0328024	PULLEY-DBL-12" W/1-1/2"BORE
32	P0328025	PULLEY-DBL-6" W/1-1/2"BORE
33	P0328062	PULLEY-DBL-10" W/1-1/2"BORE
34	P0328910	IDLER-FLAT-4"TRPL 2-7/16"WIDE
35	P0340324	HUB-H 1-1/2"
36	P0351019	BUSHING 3/4"ODX1/2"IDX1"BRONZE
37	P0391002	KEY 3/8" X 2" LONG
38	P0931004	ELECTRIC MOTOR 10HP
39	P2219801P	U-CLAMP HANGER-10"X2-1/2"-BLACK
40	P03210651	BELT 2B65 BANDED



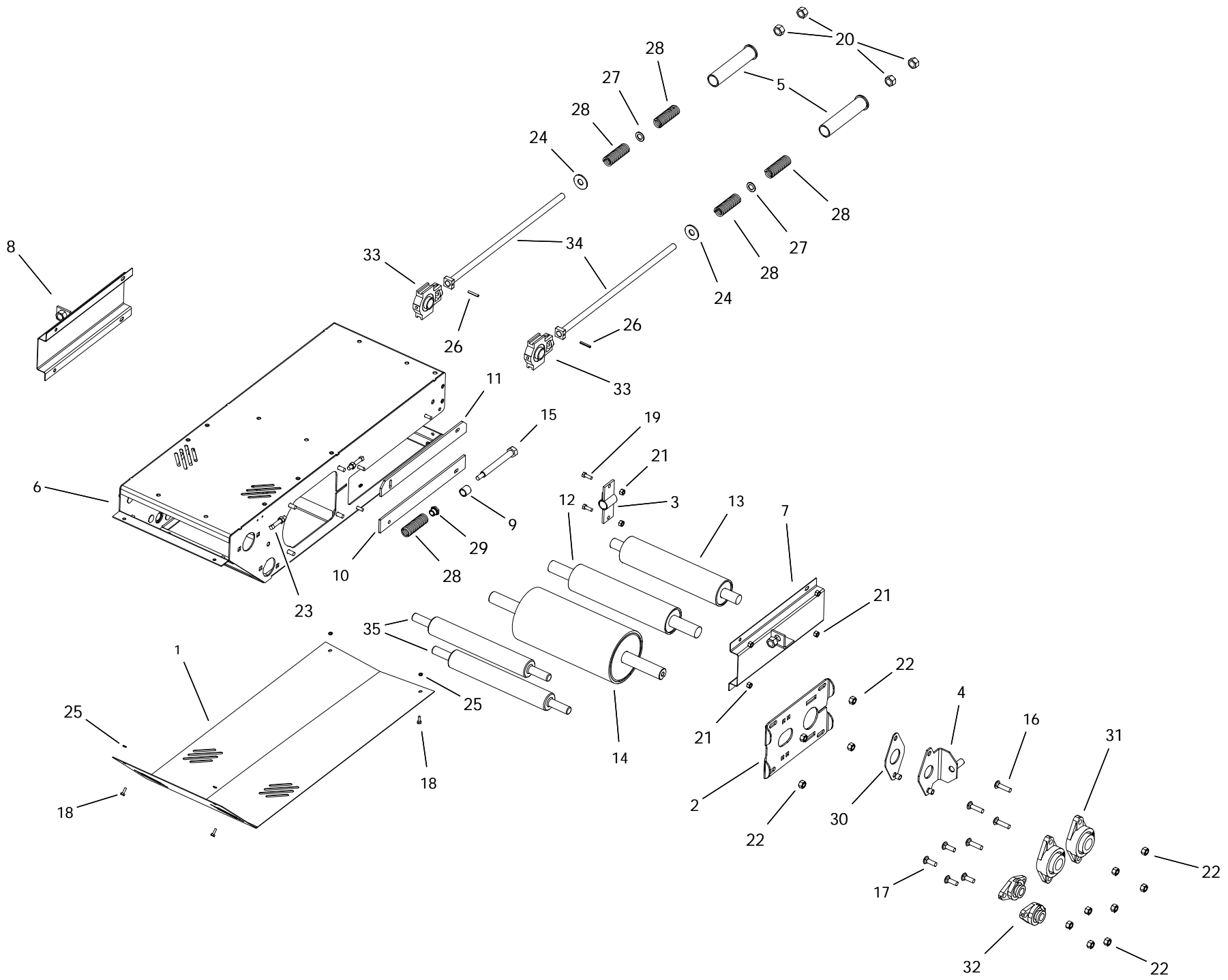
1545 FL-15504522

ITEM	PART NO.	DESCRIPTION
1	P1211501	HOOD-ROUND 15 SERIES (KANBAN)
2	15000303P	HOPPER -COLLAPSABLE 1515
3	15590020	S-DRIVE ASM W/PINCH
4	15040040	PINCH DRIVE FRONT GUARD
5	13000139	MOVER WHEEL MOVE DRIVE SYS.2.5 AXLE
6	13010008	SUSPENSION BRACKET-NO TABS
7	13011038	PLASTIC TANK SIDE MOUNT W 2.5" CLAM
8	13011013	WINCH MOUNT HD
9	13011043	PINCH S-DRIVE MOUNT BRACKET
10	13030042	13/15 TRACK SLIDER
11	13030048	UPRIGHT ARM 45FL
12	13030096	FL Z-DROP TONGUE
13	13030100	AXLE 30-45-2-1/2" (WITH 8 LUGS)
14	13032094	35/45 SMALL CABLE ATTACH
15	13060080	DIRECT DRV CONTROL BOX
16	15000320	HOPPER TYPE -TRANSFER
17	15020047	SPOUT SECTION 20' W/RTRN MOUNTS
18	15020053	UPPER CENTER 20' TUBE
19	15030007	HITCH FL (ONE PC)
20	15042101	WEATHER GUARD 5' - 61-1/2"
21	15042102	WEATHER GUARD 5' FLR - 61-1/2"
22	15042103	WEATHER GUARD 5' FLAT - 61-1/2"
23	15042121	WEATHER GUARD 10' - 121-1/2"
24	15070009	HOPPER/SPOUT ROLLER LAGGED
25	150100811	WEATHER GUARD MOUNT BAR KIT-POLY
26	P0113004	CARRIAGE BOLT 1/2"X1-1/2"PLATED
27	P0113013	CARRIAGE BOLT 7/16"X1" PLATED
28	P0113020	CARRIAGE BOLT 5/16"X1-1/2"PLATED
29	P0118004	BOLT 1" X 3" GR8 PLATED
30	P0115111	BOLT 3/4" X 2" GR8 PLATED
31	P0118046	BOLT 3/8" X 1" GR8 PLATED
32	P0115303	CAPSCREW 3/8X1-1/4FLT HD SOCKET PTD
33	P0118013	BOLT 1/2"X1 1/2" GR.8 PLATED
34	P0118017	BOLT 1/2"X2-1/2"GRADE 8 PLATED
35	P0118076	BOLT 7/16"X1" GRADE 8 PLATED
36	P0118077	BOLT 7/16"X1-1/2" GRADE 8 PLATED
37	P0131017	NUT 5/16" PLATED GRADE 8
38	P0134026	LOCKNUT-NYLON-3/8" GRADE 8
39	P0134026	LOCKNUT-NYLON-3/8" GRADE 8
40	P0134007	LOCKNUT-NYLON-7/16"
41	P0134008	LOCKNUT-NYLON-1/2"
42	P01340101	LOCKNUT-NYLON-5/8" GRADE 8
43	P0134029	LOCKNUT-NYLON-3/4" GRADE 8
44	P0134030	LOCKNUT-NYLON-1" GRADE 8
45	P0141002	TEK SCREW 1/4"X1"
46	P0145002	SET SCREW-7/16"X2-1/2"SQ.HD.



1545 FL-15504522

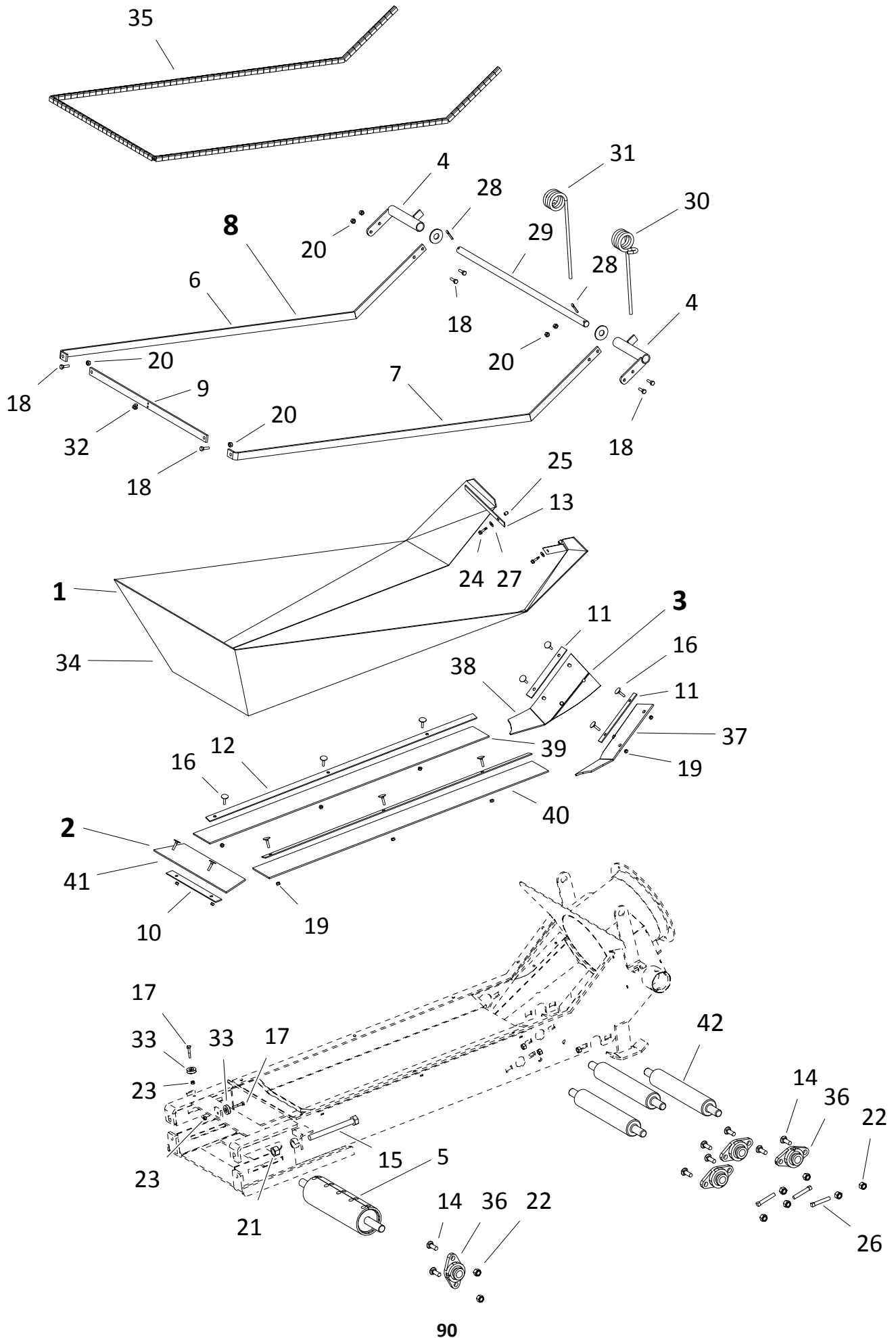
ITEM	PART NO.	DESCRIPTION
47	P0151006	FLAT WASHER 1/4"PLATED USS
48	P0151009	FLAT WASHER 3/8"PLATED USS
49	P0151026	FLAT WASHER 3/4"SAE
50	P0151031	FLAT WASHER 1"PLATED USS
51	P0152010	LOCK WASHER 5/16"PLATED
52	P0161001	Cotter Pin 1/4 x 2
53	P0161002	COTTER PIN 5/32X1-1/2"PLATED
54	P0162001	HITCH PIN 1/2" X 3" PLATED
55	P0183003	U-BOLT 2-1/2" X 2-1/2" (5/8) PLATED
56	P0184033	WIRE HOSE CLAMP .500"
57	P0614301	TIRE ASSEMBLY-15"X4.5"X4BOLT
58	P0712105	CABLE CLAMP-5/16" GALV.
59	P0714103	WINCH-2500# BRAKE
60	P0831008	FUEL LINE-1/4"ID
61	P1010001	UNI-MOUNT PLATE CAST
62	P1012010	JACK-1000LB ROUND JACK (15" EXT)
63	P1210030	BELT GUIDE BLOCK
64	P1211305	ROLLER 2" NYLON
65	P1711001	FLANGE UNIT-1-1/2"-SAFL208-24
66	P2219801P	U-CLAMP HANGER-10"X2-1/2"-BLACK
67	13032125	BOLT ON ANGLE
68	13030102	AXLE ARM 30/35TD/45-2-1/2"
69	13031019	55 TRACK
70	P2513202P	2" U-CLAMP -PAINTED
71	P2513212P	2" LOCKING U-CLAMP PAINTED
72	P021200051	GAS TANK W/CAP W/FITTING-22L
73	P029900216	GEAR CLAMP 32"
74	P1243001	CABLE TIE 14" 120 LB
75	P2227989	MANUAL HOLDER AND LID
77	P0711108	CABLE-5/16" (44') (50740)
78	15570452	1545FL 105'
79	P0712114	THROTTLE CONTROL 15'
80	P0712102	CHOKE CABLE-15' LOCKING
81	15555300	CASTOR TONGUE WHEEL (NOT SHOWN)



S-DRIVE (15590020)

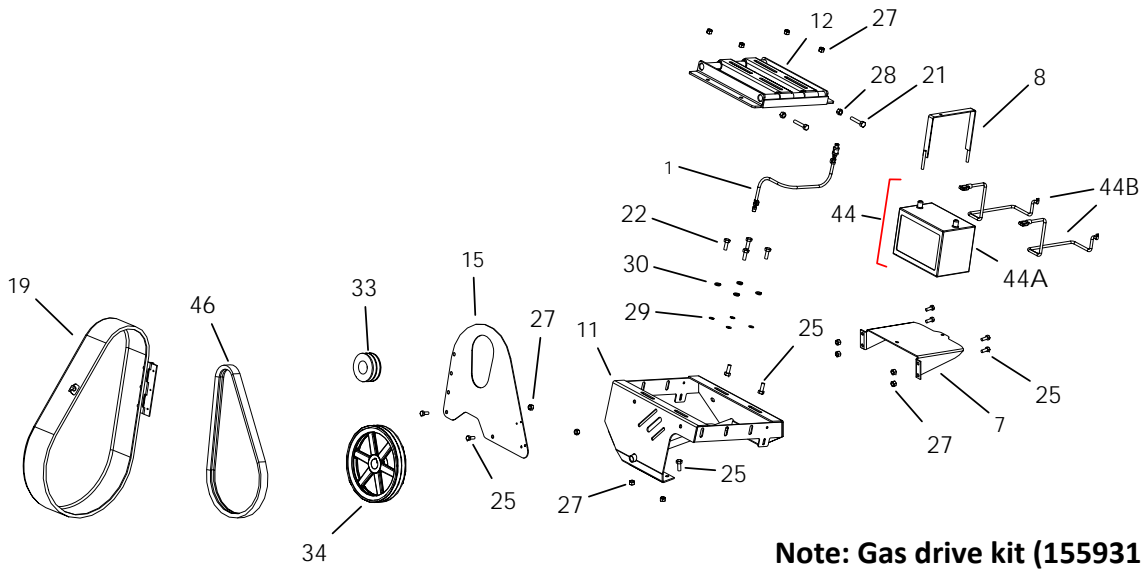
ITEM	PART NO.	DESCRIPTION
1	15040001	PINCH SD BOTTOM GUARD
2	15060061	SD COVER PLATE 6-1/2"ROLLER
3	15060079	S-DRIVE TAKEUP BRACKET
4	15060082	PINCH TIGHTENER PLATE
5	15060504	PRETENSIONER 1550
6	15061045	S-DRIVE PINCH
7	15061046	SIDE GUARD LH
8	15061047	SIDE GUARD RH
9	15062010	PINCH PIPE
10	15062179	S-DRIVE SLIDER BOLT PLATE - BOTTOM
11	15062180	S-DRIVE SLIDER BOLT PLATE - TOP
12	15070019	3-1/2"TAKE-UP (PINCH)
13	15070020	3-1/2"TAKE-UP 19.5"SHAFT
14	15070030	DRIVE ROLLER-6-1/2" W/EXT SHAFT
15	P0113000	SPRING TENSION BOLT
16	P0113001	CARRIAGE BOLT 1/2"X2" PLATED
17	P0113004	CARRIAGE BOLT 1/2"X1-1/2"PLATED
18	P0118033	BOLT 1/4" X 3/4" GR8 PLATED
19	P0118046	BOLT 3/8" X 1" GR8 PLATED
20	P0131019	NUT 3/4" PLATED GRADE 8
21	P0134026	LOCKNUT-NYLON-3/8" GRADE 8
22	P0134008	LOCKNUT-NYLON-1/2"
23	P0145002	SET SCREW-7/16"X2-1/2"SQ.HD.
24	P0151015	FLAT WASHER 3/4"PLATED USS
25	P0152004	LOCK WASHER 1/4"PLATED
26	P0167001	SPRING PIN 1/4" X 1-1/2"
27	P0351015	MACHINERY BUSH 3/4"X1-1/4"-14G PTD.
28	P0511008	SPRING-LD-1300 SERIES
29	P0820129	BUSHING BRASS FLANGED
30	P1210102	BELT TIGHTENER SLIDER PLATE FL208
31	P1711001	FLANGE UNIT-1-1/2"-SAFL208-24
32	P1711004	FLANGE UNIT-1"-SAFL205-16
33	P1721001	TAKE-UP UNIT-1-1/4"-T206-20
34	P2515006	15 S-DRIVE TIGHTENER BOLT
35	P20315001	S-DRIVE RETURN-1" ROLLER

HOPPER (15000303P)

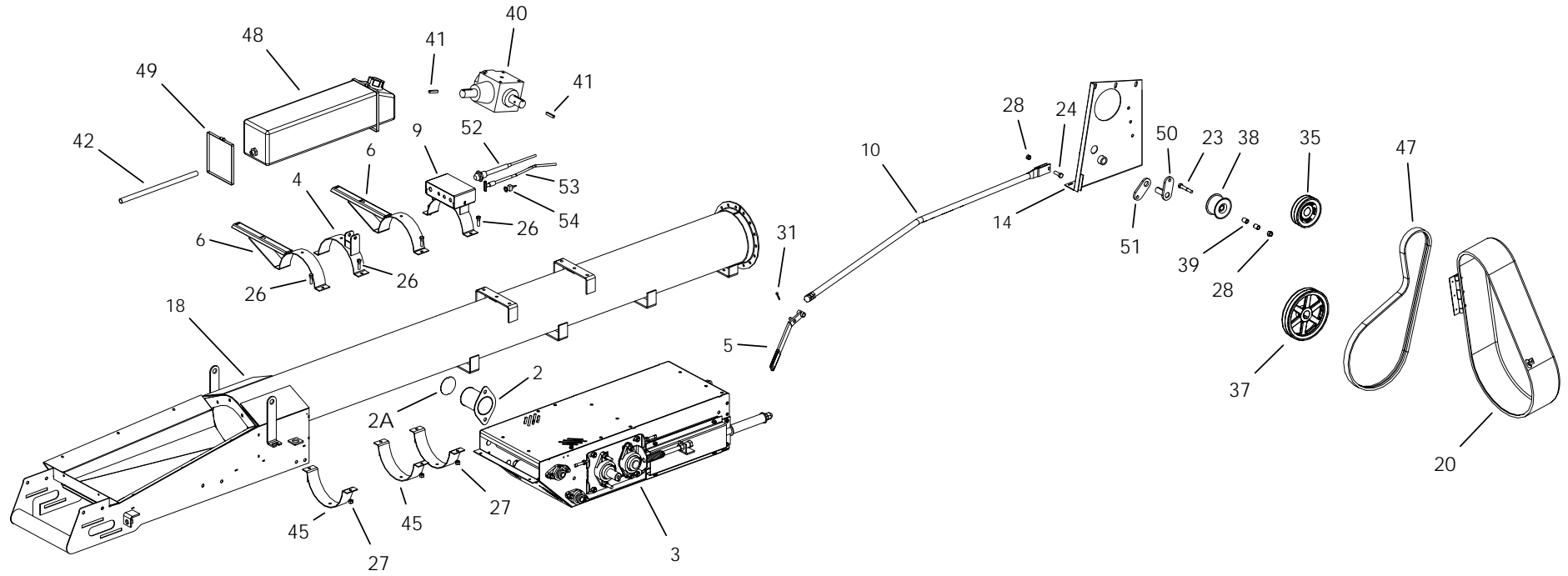


HOPPER (15000303P)

ITEM	PART NO.	DESCRIPTION
1	15000303P	HOPPER -COLLAPSABLE 1515
2	15000307P	HOPPER LINER KIT 1515LP
3	15000308P	HOPPER -FLASHING ONLY 1515LP
4	15050010	PIVOT SHAFT RIGHT
5	15070012	TAKE-UP ROLLER-1-1/4" LAGGED
6	15100001	UPPER CLOTH FRAME TR RIGHT
7	15100002	UPPER CLOTH FRAME TR LEFT
8	15100021	HOPPER CLOTH FRAME-UPPER 1515LP
9	15102052	UPPER CLOTH FRAME TR FRONT
10	15102058	LOWER CLOTH FRAME TR FRONT
11	15102059	LOWER CLOTH FRAME TR TRANSITION
12	15102060	LOWER CLOTH FRAME TR SIDE
13	15102061	LOWER CLOTH FRAME TR BACK
14	P0113004	CARRIAGE BOLT 1/2"X1-1/2"PLATED
15	P0114007	TAP BOLT 3/4 X 7 PLATED
16	P0116001	ELEVATOR BOLT 1/4"X1-1/4"
17	P0118026	BOLT 1/4" X 1-1/2" GR8 PLATED
18	P0118061	BOLT 5/16" X 1" GR8 PLATED
19	P0131016	NUT 1/4" PLATED GRADE 8
20	P0131017	NUT 5/16" PLATED GRADE 8
21	P0131112	NUT 3/4"PLATED
22	P0134008	LOCKNUT-NYLON-1/2"
23	P0134023	LOCKNUT-NYLON-1/4" GR8
24	P0141002	TEK SCREW 1/4"X1"
25	P0145001	VINYL SCREW CAP
26	P0145002	SET SCREW-7/16"X2-1/2"SQ.HD.
27	P0151006	FLAT WASHER 1/4"PLATED USS
28	P0161003	COTTER PIN 3/16"X1-1/2"PLATED
29	P0162007	HOPPER PIVOT SHAFT-13/15
30	P0521001	HOPPER SPRING-L
31	P0521002	HOPPER SPRING-R
32	P0712104	CABLE CLAMP-1/8" GALV.
33	P0713104	CABLE SHEAVE-1-1/4" W/BEARING
34	P1621010	HOPPER CANVAS 1515LP
35	P1641015	TRIM LOCK
36	P1711002	FLANGE UNIT-1-1/4"-SAFL206-20
37	P11139006	HOPPER FLASHING TRANSITION LEFT FL
38	P11139007	HOPPER FLASHING TRANSITION RIGHT FL
39	P19159008	FL HOPPER FLASHING LH
40	P19159009	FL HOPPER FLASHING RH
41	P19159012	FRONT HOPPER FLASHING
42	P20315002	TRANSITION ROLLER

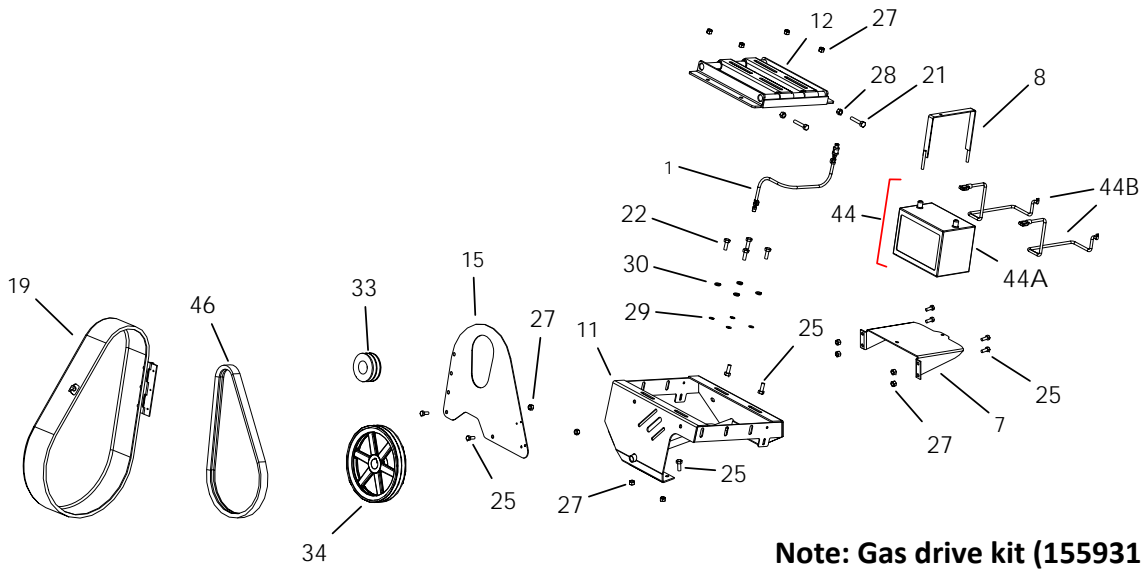


Note: Gas drive kit (15593130) does not include item # 33, 44, 52, 53 & 54.

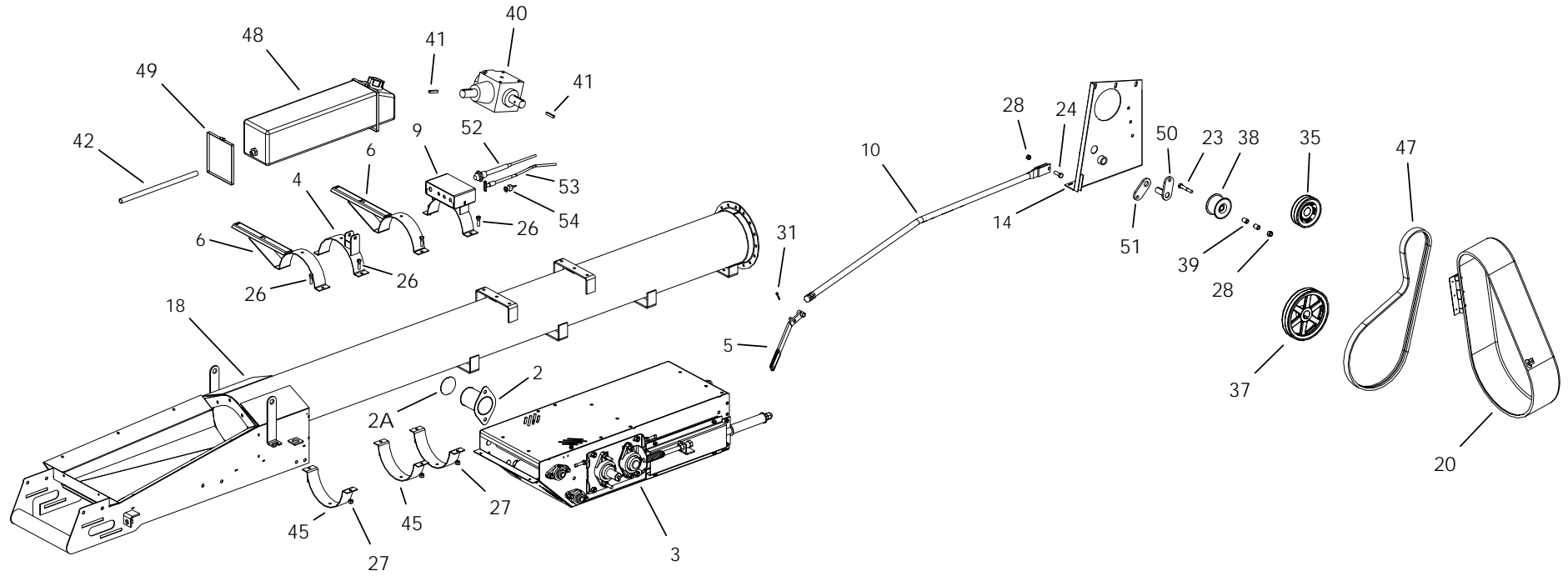


1545FL GAS DIRECT DRIVE KIT (15593130)

ITEM	PART NO.	DESCRIPTION
1	01010003	BREATHER DIRECT DRIVE
2	24041038	SHAFT GUARD(FL-210)
3	15590020	S-DRIVE ASM W/PINCH
4	13010048	MOTOR MT OVERCENTER ANCHOR BKT
5	13010054	MOTOR MT OVERCENTER HANDLE
6	13011038	PLASTIC TANK SIDE MOUNT W 2.5" CLAM
7	13012108	MOTOR MOUNT BATTERY MOUNT
8	13060054	BATTERY CLAMP
9	13060080	DIRECT DRV CONTROL BOX
10	13060084	A-FRAME OVERCENTER PULLROD
11	13060102	MOTOR MOUNT
12	13060103	SLIDER MOUNT
14	13060105	MOTOR MOUNT BACK PLATE
15	13060107	ENGINE GUARD BACK
18	15020040	BT HOPPER SECTION 10' WITH SD BKTS
19	15040055	PINCH GUARD SMALL ASSEMBLED
20	15040056	PINCH GUARD MED ASSEMBLED
21	P0114005	TAP BOLT 1/2 X 2-1/2 GR.8 PLATED
22	P0115020	BOLT 1/2" X 1-1/4" GR5 PLATED
23	P0118130	BOLT 1/2" X 4" GR8 PLATED
24	P0118013	BOLT 1/2"X1 1/2" GR.8 PLATED
25	P0118076	BOLT 7/16"X1" GRADE 8 PLATED
26	P0118077	BOLT 7/16"X1-1/2" GRADE 8 PLATED
27	P0134007	LOCKNUT-NYLON-7/16"
28	P0134008	LOCKNUT-NYLON-1/2"
29	P0151029	FLAT WASHER 1/2"PLATED USS
30	P0152008	LOCK WASHER 1/2"PLATED
31	P0161003	COTTER PIN 3/16"X1-1/2"PLATED
32	P0321035	BELT B35
33	P0328018	PULLEY-DBL-BK-4"H
34	P0328024	PULLEY-DBL-12" W/1-1/2"BORE
35	P0328025	PULLEY-DBL-6" W/1-1/2"BORE
37	P0328062	PULLEY-DBL-10" W/1-1/2"BORE
38	P0328910	IDLER-FLAT-4"TRPL 2-7/16"WIDE
39	P0351019	BUSHING 3/4"ODX1/2"IDX1"BRONZE
40	15591001	GBOX 90 2:1 CW/CW 1-1/2 4190 W/OIL
41	P0391002	KEY 3/8" X 2" LONG
42	P0831008	FUEL LINE-1/4"ID
44	P0951013	BATTERY 420CCA
45	P2219801P	U-CLAMP HANGER-10"X2-1/2"-BLACK
46	P03210531	BELT 2B53 BANDED
47	P03210651	BELT 2B65 BANDED
48	P021200051	GAS TANK W/CAP W/FITTING-22L
49	P029900216	GEAR CLAMP 32"
50	P0712114	THROTTLE CONTROL 15'
51	P0712102	CHOKE CABLE-15' LOCKING



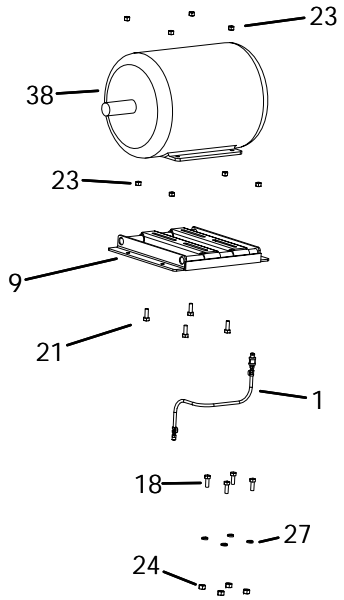
Note: Gas drive kit (15593130) does not include item # 33, 44, 52, 53 & 54.



1545FL GAS DIRECT DRIVE KIT (15593130)

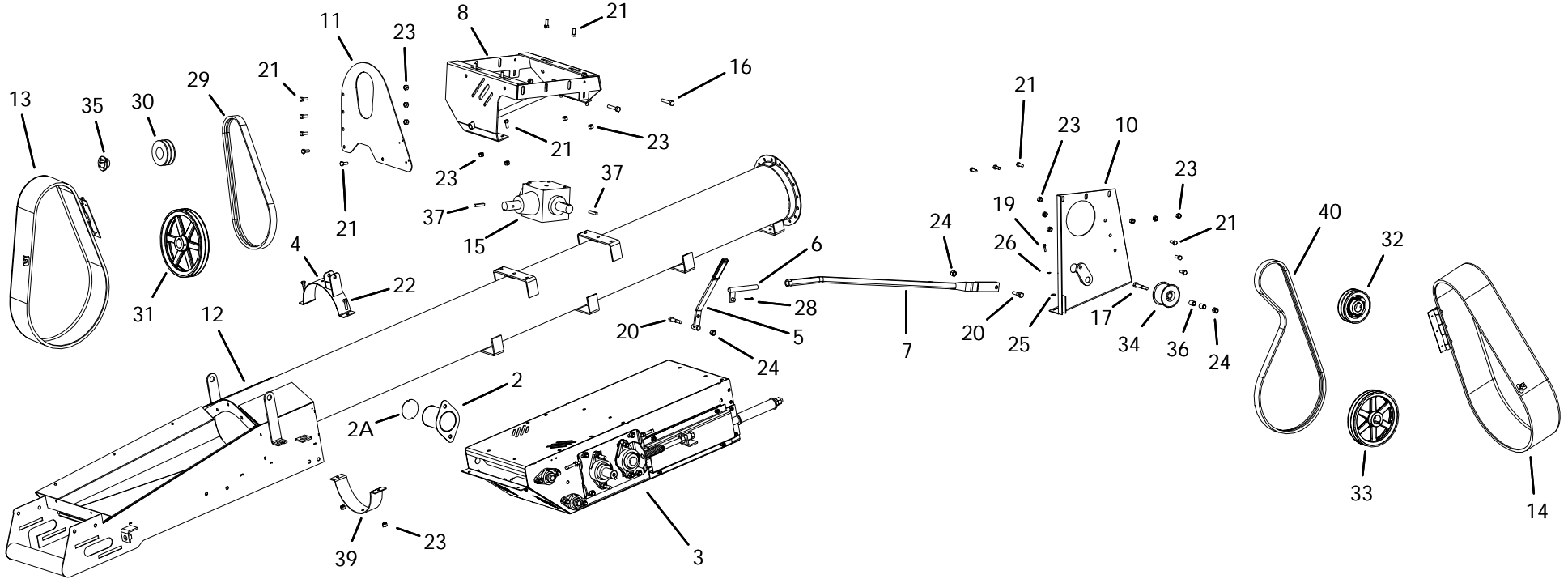
ITEM	PART NO.	DESCRIPTION
52	P0712114	THROTTLE CONTROL 15'
53	P0712102	CHOKE CABLE-15' LOCKING
54	P1031113	ENGINE 26.5HP KOHLER IGNITION SWITCH

ELECTRIC DRIVE KIT (15593010)



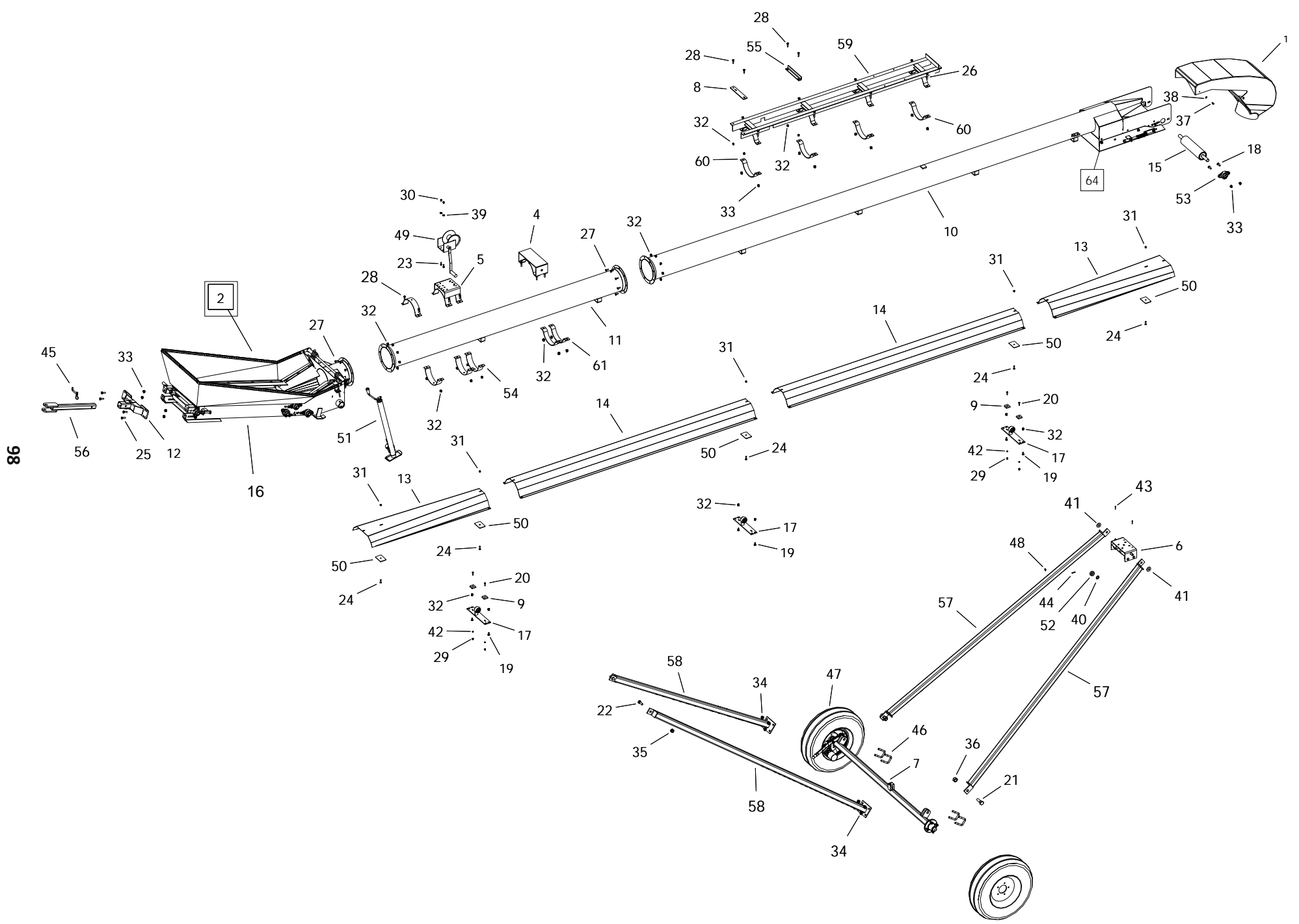
Note: Electric drive kit (15593010) does not include Item # 30, 38.

96



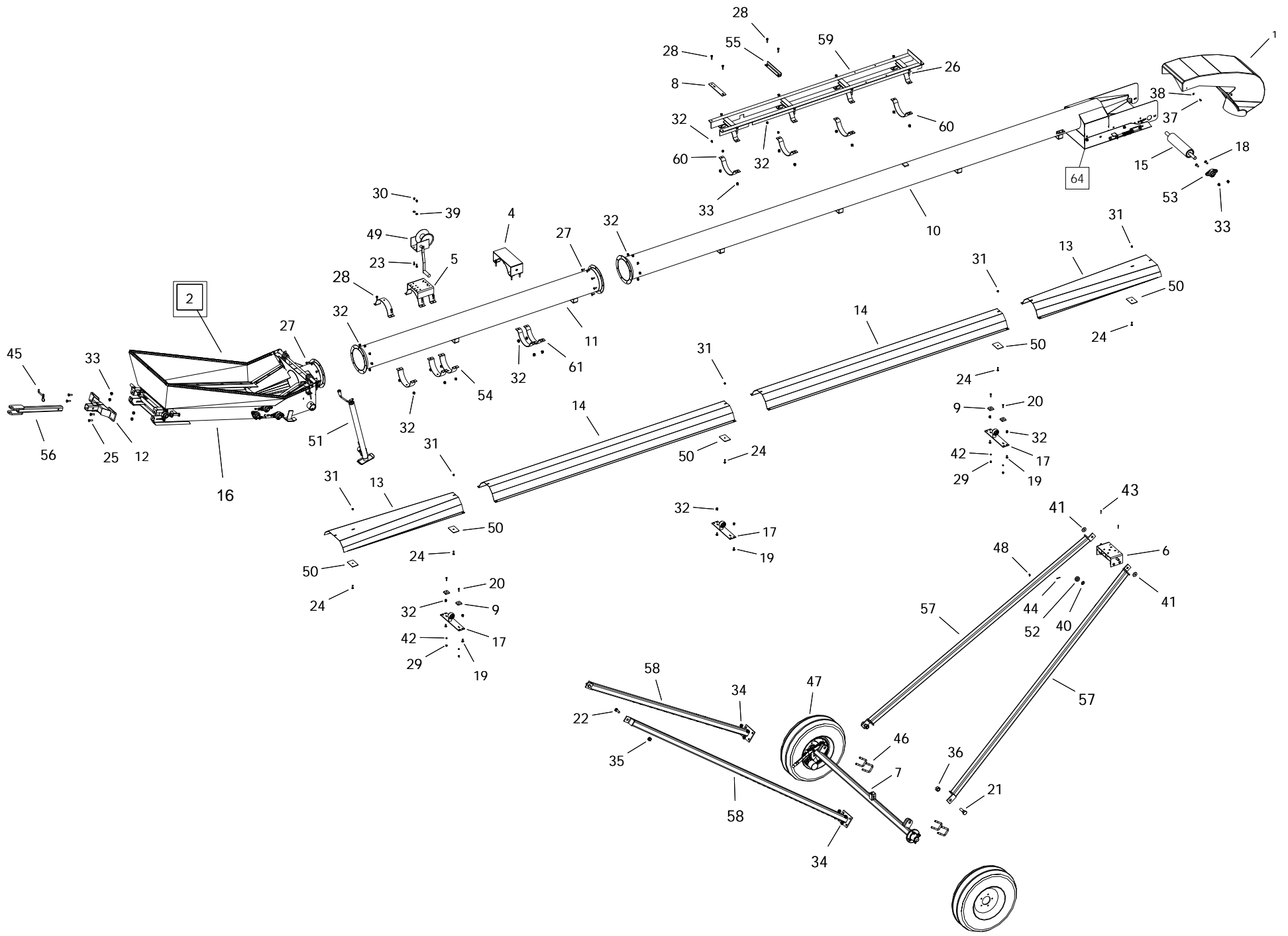
ELECTRIC DRIVE KIT (15593010)

ITEM	PART NO.	DESCRIPTION
1	01010003	BREATHER DIRECT DRIVE
2	24041038	SHAFT GUARD(FL-210)
3	15590020	S-DRIVE ASM W/PINCH
4	13010048	MOTOR MT OVERCENTER ANCHOR BKT
5	13010054	MOTOR MT OVERCENTER HANDLE
6	13060074	OVERCENTER ADJUSTER
7	13060084	A-FRAME OVERCENTER PULLROD
8	13060102	MOTOR MOUNT
9	13060103	SLIDER MOUNT
10	13060105	MOTOR MOUNT BACK PLATE
11	13060107	ENGINE GUARD BACK
12	15020040	BT HOPPER SECTION 10' WITH SD BKTS
13	15040055	PINCH GUARD SMALL ASSEMBLED
14	15040056	PINCH GUARD MED ASSEMBLED
15	15591000	GBOX 90 1:1 CW/CW 1-1/2 4190 W/OIL
16	P0114005	TAP BOLT 1/2 X 2-1/2 GR.8 PLATED
17	P0118018	BOLT 1/2" X 3" GR8 PLATED
18	P0115020	BOLT 1/2" X 1-1/4" GR5 PLATED
19	P0118131	BOLT 1/4" X 1" GR8 PLATED
20	P0118017	BOLT 1/2"X2-1/2"GRADE 8 PLATED
21	P0118076	BOLT 7/16"X1" GRADE 8 PLATED
22	P0118077	BOLT 7/16"X1-1/2" GRADE 8 PLATED
23	P0134007	LOCKNUT-NYLON-7/16"
24	P0134008	LOCKNUT-NYLON-1/2"
25	P0151006	FLAT WASHER 1/4"PLATED USS
26	P0152004	LOCK WASHER 1/4"PLATED
27	P0152008	LOCK WASHER 1/2"PLATED
28	P0161003	COTTER PIN 3/16"X1-1/2"PLATED
29	P0321052	BELT B52
30	P0328018	PULLEY-DBL-BK-4"H
31	P0328024	PULLEY-DBL-12" W/1-1/2"BORE
32	P0328025	PULLEY-DBL-6" W/1-1/2"BORE
33	P0328062	PULLEY-DBL-10" W/1-1/2"BORE
34	P0328910	IDLER-FLAT-4"TRPL 2-7/16"WIDE
35	P0340324	HUB-H 1-1/2"
36	P0351019	BUSHING 3/4"ODX1/2"IDX1"BRONZE
37	P0391002	KEY 3/8" X 2" LONG
38	P0931004	ELECTRIC MOTOR 10HP
39	P2219801P	U-CLAMP HANGER-10"X2-1/2"-BLACK
40	P03210651	BELT 2B65 BANDED



1535 FL TD-15503541

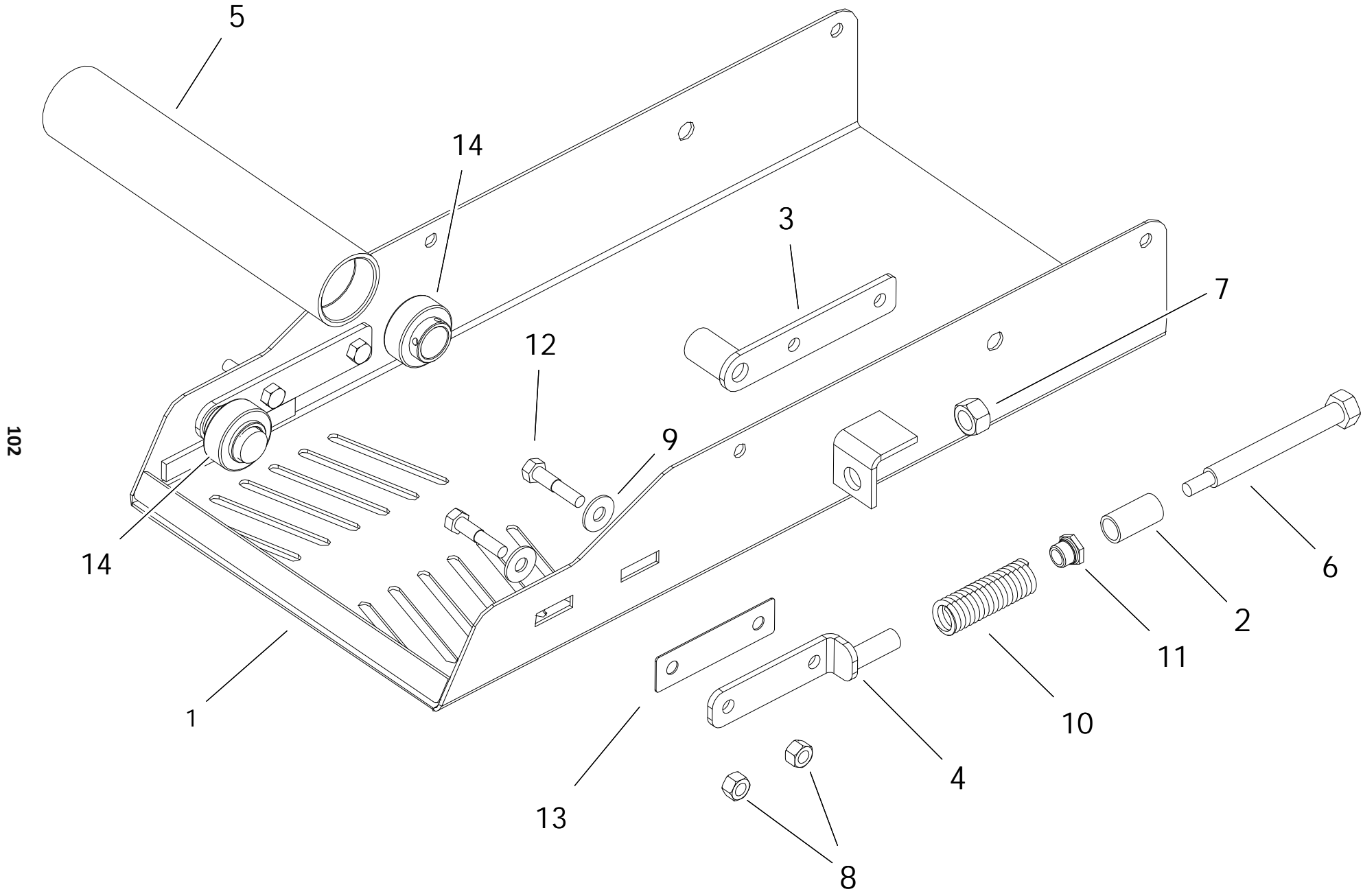
ITEM	PART NO.	DESCRIPTION
1	P1211501	HOOD-ROUND 15 SERIES (KANBAN)
2	15000303P	HOPPER -COLLAPSABLE 1515
3	13000139	MOVER WHEEL MOVE DRIVE SYS.2.5 AXLE
4	13010008	SUSPENSION BRACKET-NO TABS
5	13011013	WINCH MOUNT HD
6	13030042	13/15 TRACK SLIDER
7	13030100	AXLE 30-45-2-1/2" (WITH 8 LUGS)
8	13032094	35/45 SMALL CABLE ATTACH
9	P1210030	BELT GUIDE BLOCK
10	15020047	SPOUT SECTION 20' W/RTRN MOUNTS
11	15020054	UPPER CENTER TUBE 10'
12	15030007	HITCH FL (ONE PC)
13	15042102	WEATHER GUARD 5' FLR - 61-1/2"
14	15042121	WEATHER GUARD 10' - 121-1/2"
15	15070013	SPOUT DRIVE ROLLER-1-1/4" LAGGED
16	15100031	1500 FL Bottom
17	150100811	WEATHER GUARD MOUNT BAR KIT-POLY
18	P0113001	CARRIAGE BOLT 1/2"X2" PLATED
19	P0113013	CARRIAGE BOLT 7/16"X1" PLATED
20	P0113020	CARRIAGE BOLT 5/16"X1-1/2"PLATED
21	P0118004	BOLT 1" X 3" GR8 PLATED
22	P0115111	BOLT 3/4" X 2" GR8 PLATED
23	P0118046	BOLT 3/8" X 1" GR8 PLATED
24	P0115303	CAPSCREW 3/8X1-1/4FLT HD SOCKET PTD
25	P0118013	BOLT 1/2"X1 1/2" GR.8 PLATED
26	P0118017	BOLT 1/2"X2-1/2"GRADE 8 PLATED
27	P0118076	BOLT 7/16"X1" GRADE 8 PLATED
28	P0118077	BOLT 7/16"X1-1/2" GRADE 8 PLATED
29	P0131017	NUT 5/16" PLATED GRADE 8
30	P0134026	LOCKNUT-NYLON-3/8" GRADE 8
31	P0134026	LOCKNUT-NYLON-3/8" GRADE 8
32	P0134007	LOCKNUT-NYLON-7/16"
33	P0134008	LOCKNUT-NYLON-1/2"
34	P01340101	LOCKNUT-NYLON-5/8" GRADE 8
35	P0134029	LOCKNUT-NYLON-3/4" GRADE 8
36	P0134030	LOCKNUT-NYLON-1" GRADE 8
37	P0141002	TEK SCREW 1/4"X1"
38	P0151006	FLAT WASHER 1/4"PLATED USS
39	P0151009	FLAT WASHER 3/8"PLATED USS
40	P0151026	FLAT WASHER 3/4"SAE
41	P0151031	FLAT WASHER 1"PLATED USS
42	P0152010	LOCK WASHER 5/16"PLATED
43	P0161001	Cotter Pin 1/4 x 2
44	P0161002	COTTER PIN 5/32X1-1/2"PLATED
45	P0162001	HITCH PIN 1/2" X 3" PLATED
46	P0183003	U-BOLT 2-1/2" X 2-1/2" (5/8) PLATED



1535 FL TD-15503541

ITEM	PART NO.	DESCRIPTION
47	P0614301	TIRE ASSEMBLY-15"X4.5"X4BOLT
48	P0712105	CABLE CLAMP-5/16" GALV.
49	P0714102	WINCH-1500# BRAKE
50	P1010001	UNI-MOUNT PLATE CAST
51	P1012010	JACK-1000LB ROUND JACK (15" EXT)
52	P1211305	ROLLER 2" NYLON
53	P1711002	FLANGE UNIT-1-1/4"-SAFL206-20
54	P2219801P	U-CLAMP HANGER-10"X2-1/2"-BLACK
55	13032125	BOLT ON ANGLE
56	13030001	STRAIGHT TONGUE
57	13030053	1330TD/1335FL Upright Arms
58	13030102	AXLE ARM 30/35TD/45-2-1/2"
59	13031020	13/15 4 BAND TRACK
60	P2513202P	2" U-CLAMP -PAINTED
61	P2513212P	2" LOCKING U-CLAMP PAINTED
62	P1243001	CABLE TIE 14" 120 LB
63	P2227989	MANUAL HOLDER AND LID
64	15597000	SPOUT PINCH RLLR KIT
65	P0711108	CABLE-5/16" (44') (50740)
66	15570353	1535FLTD 80' 5"
67	15570350	BELT ASM 35TD (70'2") INC PINS/CLI

SPOUT PINCH ROLLER KIT (15597000)

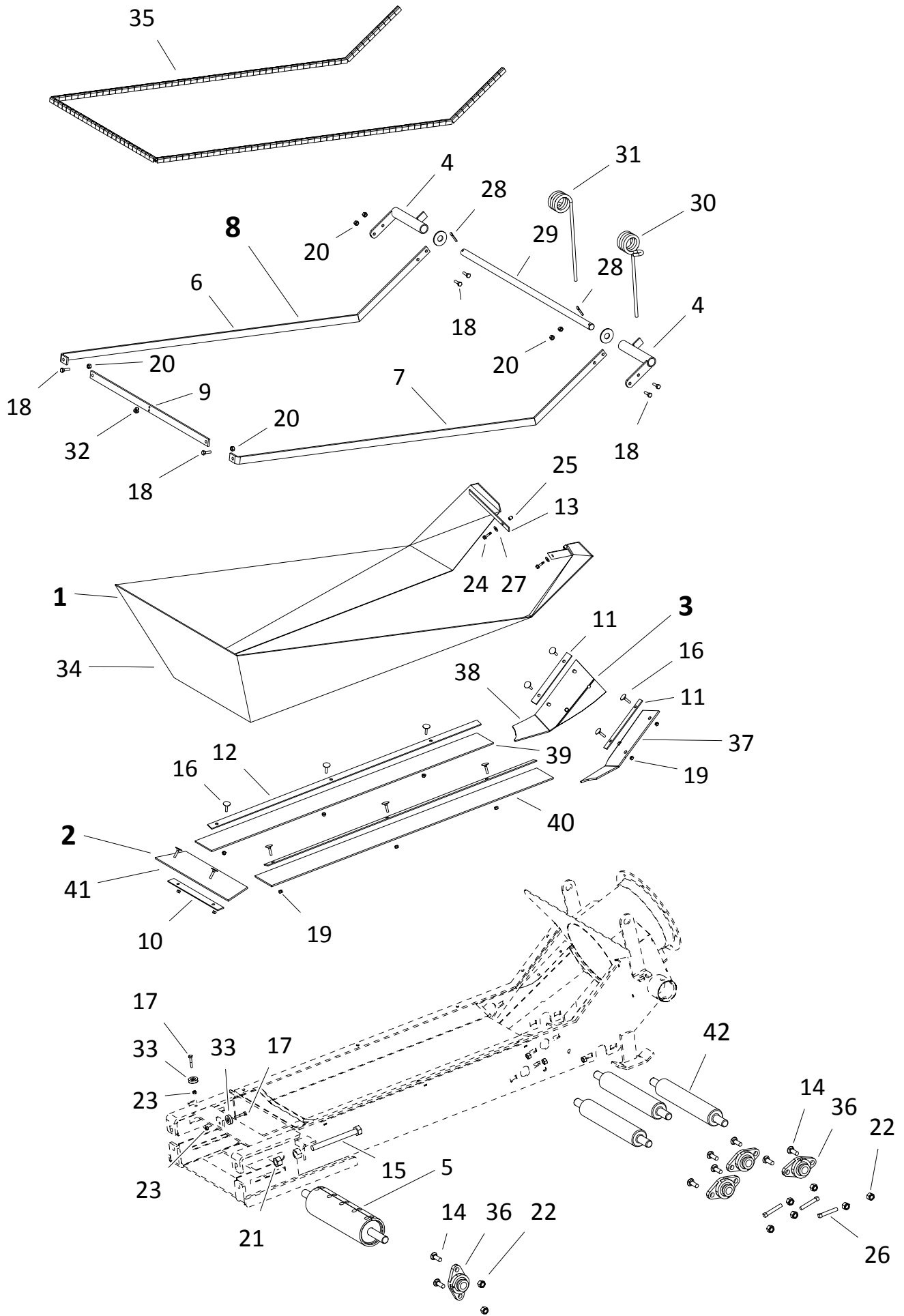


102

SPOUT PINCH ROLLER KIT (15597000)

ITEM	PART NO.	DESCRIPTION
1	15061020	TD PINCH MOUNT
2	15062110	TD PINCH PIPE
3	15070026	ROLLER MOUNT
4	15070027	PUSH BAR
5	15072025	SPOUT PINCH PIPE
6	P0113000	SPRING TENSION BOLT
7	P0131019	NUT 3/4" PLATED GRADE 8
8	P0134008	LOCKNUT-NYLON-1/2"
9	P0151025	FLAT WASHER 1/2" PLATED USS
10	P0511008	SPRING-LD-1300 SERIES
11	P0820129	BUSHING BRASS FLANGED
12	P01180161	BOLT 1/2" X 2-1/4" GR8 PLATED
13	P1211023	TD PINCH SLIDER PLATE
14	P1742005	BEARING-1-1/4" W/SET SCREWS-FLAT
15	P0351010	MACHINERY BUSHING 7/8" MEDIUM (NOT SHOWN)

HOPPER (15000303P)

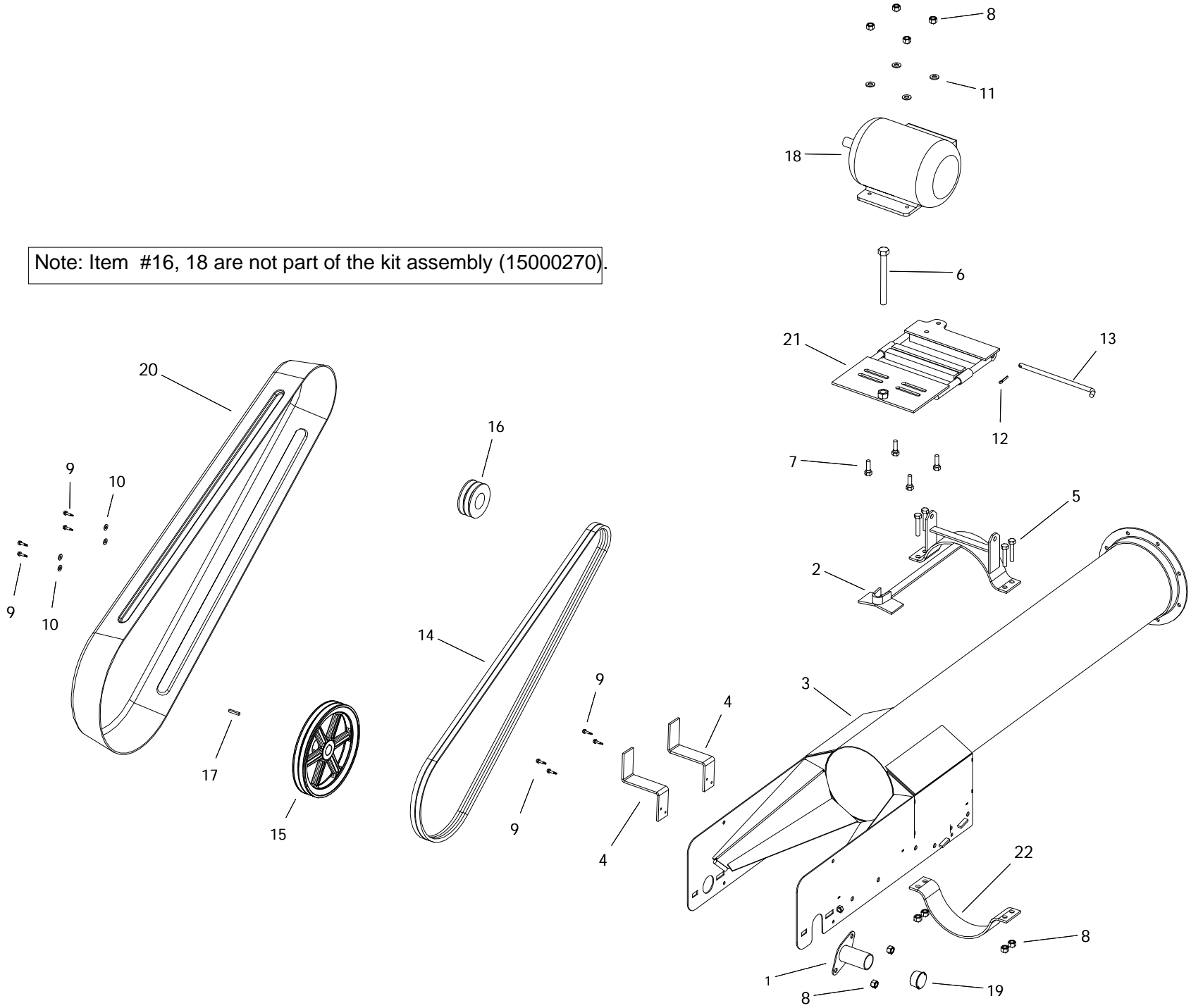


HOPPER (15000303P)

ITEM	PART NO.	DESCRIPTION
1	15000303P	HOPPER -COLLAPSABLE 1515
2	15000307P	HOPPER LINER KIT 1515LP
3	15000308P	HOPPER -FLASHING ONLY 1515LP
4	15050010	PIVOT SHAFT RIGHT
5	15070012	TAKE-UP ROLLER-1-1/4" LAGGED
6	15100001	UPPER CLOTH FRAME TR RIGHT
7	15100002	UPPER CLOTH FRAME TR LEFT
8	15100021	HOPPER CLOTH FRAME-UPPER 1515LP
9	15102052	UPPER CLOTH FRAME TR FRONT
10	15102058	LOWER CLOTH FRAME TR FRONT
11	15102059	LOWER CLOTH FRAME TR TRANSITION
12	15102060	LOWER CLOTH FRAME TR SIDE
13	15102061	LOWER CLOTH FRAME TR BACK
14	P0113004	CARRIAGE BOLT 1/2"X1-1/2"PLATED
15	P0114007	TAP BOLT 3/4 X 7 PLATED
16	P0116001	ELEVATOR BOLT 1/4"X1-1/4"
17	P0118026	BOLT 1/4" X 1-1/2" GR8 PLATED
18	P0118061	BOLT 5/16" X 1" GR8 PLATED
19	P0131016	NUT 1/4" PLATED GRADE 8
20	P0131017	NUT 5/16" PLATED GRADE 8
21	P0131112	NUT 3/4"PLATED
22	P0134008	LOCKNUT-NYLON-1/2"
23	P0134023	LOCKNUT-NYLON-1/4" GR8
24	P0141002	TEK SCREW 1/4"X1"
25	P0145001	VINYL SCREW CAP
26	P0145002	SET SCREW-7/16"X2-1/2"SQ.HD.
27	P0151006	FLAT WASHER 1/4"PLATED USS
28	P0161003	COTTER PIN 3/16"X1-1/2"PLATED
29	P0162007	HOPPER PIVOT SHAFT-13/15
30	P0521001	HOPPER SPRING-L
31	P0521002	HOPPER SPRING-R
32	P0712104	CABLE CLAMP-1/8" GALV.
33	P0713104	CABLE SHEAVE-1-1/4" W/BEARING
34	P1621010	HOPPER CANVAS 1515LP
35	P1641015	TRIM LOCK
36	P1711002	FLANGE UNIT-1-1/4"-SAFL206-20
37	P11139006	HOPPER FLASHING TRANSITION LEFT FL
38	P11139007	HOPPER FLASHING TRANSITION RIGHT FL
39	P19159008	FL HOPPER FLASHING LH
40	P19159009	FL HOPPER FLASHING RH
41	P19159012	FRONT HOPPER FLASHING
42	P20315002	TRANSITION ROLLER

ELECTRIC DRIVE KIT (15000270)

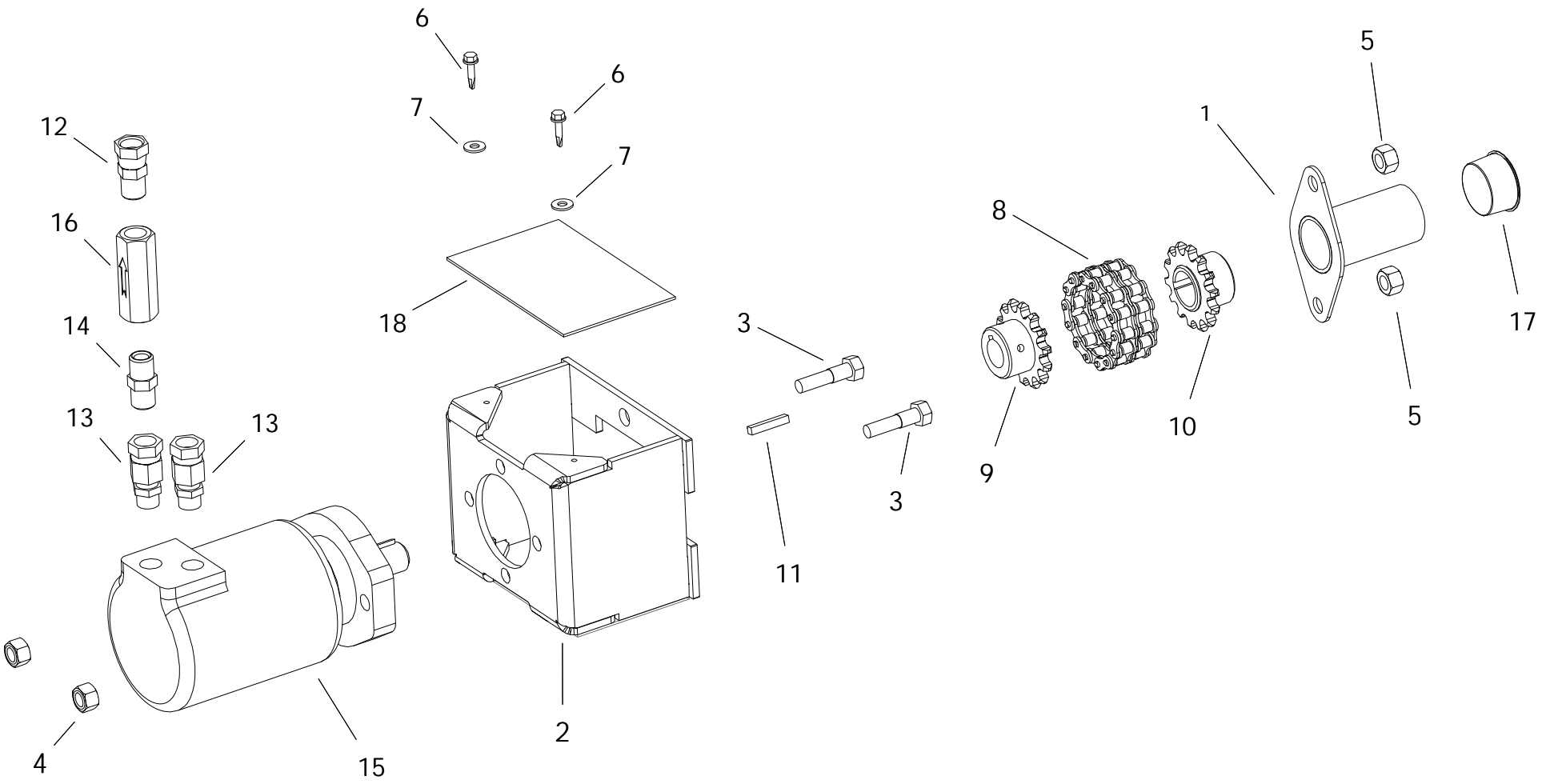
Note: Item #16, 18 are not part of the kit assembly (15000270).



ELECTRIC DRIVE KIT (15000270)

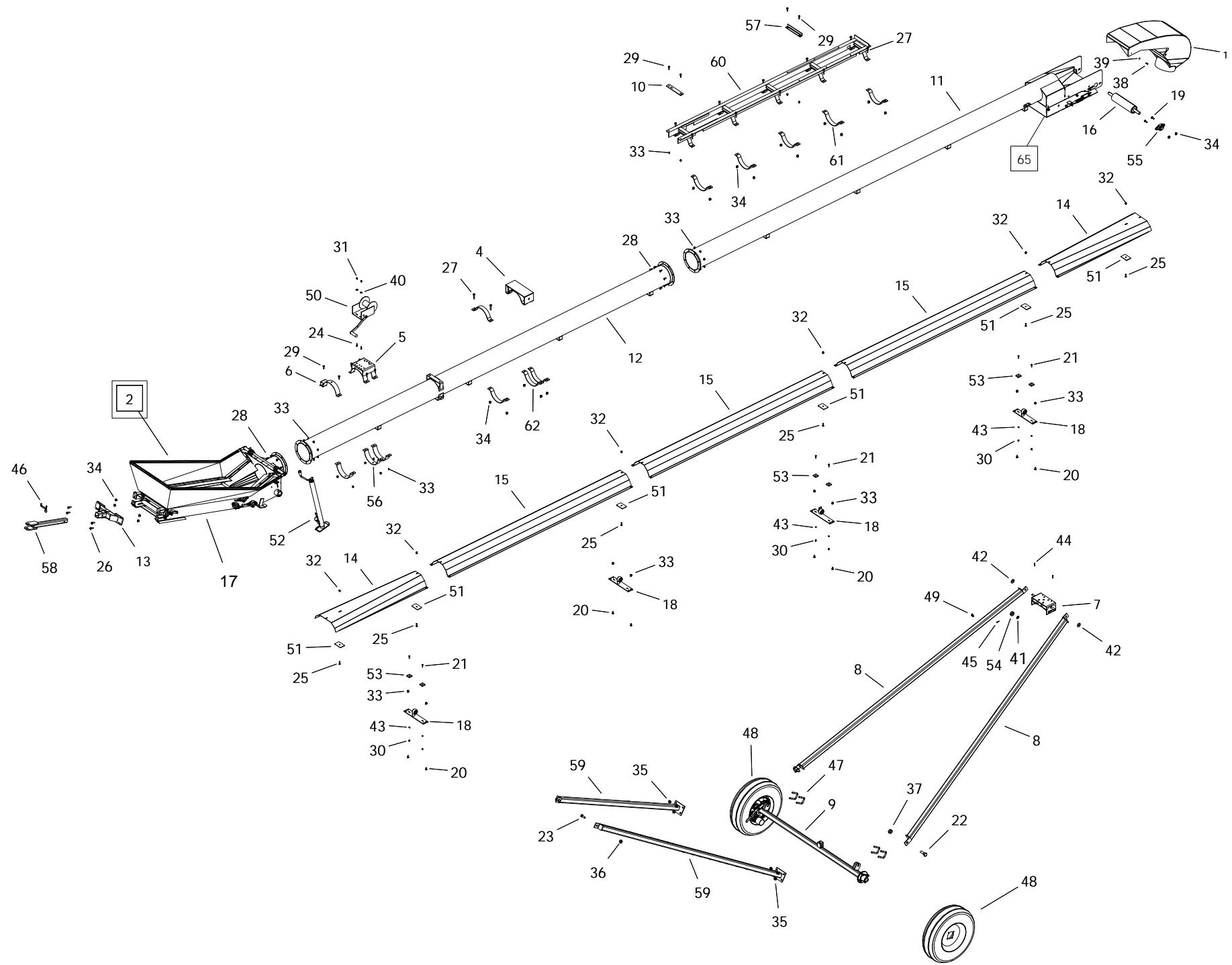
ITEM	PART NO.	DESCRIPTION
1	13041038	SHAFT GUARD(FL-206)
2	13060004	ELECTRIC MOTOR CLAMP
3	15020006	TRANSFER SPOUT 60"
4	25013011	PIT GUARD MOUNT
5	P0114005	TAP BOLT 1/2 X 2-1/2 GR.8 PLATED
6	P0114007	TAP BOLT 3/4 X 7 PLATED
7	P0118017	BOLT 1/2"X2-1/2"GRADE 8 PLATED
8	P0134008	LOCKNUT-NYLON-1/2"
9	P0141002	TEK SCREW 1/4"X1"
10	P0151006	FLAT WASHER 1/4"PLATED USS
11	P0151025	FLAT WASHER 1/2" PLATED USS
12	P0161003	COTTER PIN 3/16"X1-1/2"PLATED
13	P0162005	PIN-ELECT.MTR.MNT-SHORT
14	P0321103	BELT B103
15	P0328007	PULLEY-DBL-B-12" W/1-1/4"BORE
16	P0328018	PULLEY-DBL-BK-4"H
17	P0391003	KEY 1/4" X 1-1/2" LONG
18	P0931020	MOTOR 5HP
19	P1210032	FL-206 SHAFT GUARD PLUG
20	P1211803	PIT GUARD
21	13060037	ELECTRIC MOTOR MOUNT BASE
22	P2513203P	3" U-CLAMP PAINTED

HYDRAULIC DRIVE KIT FOR 1814LP & TD (18000281)



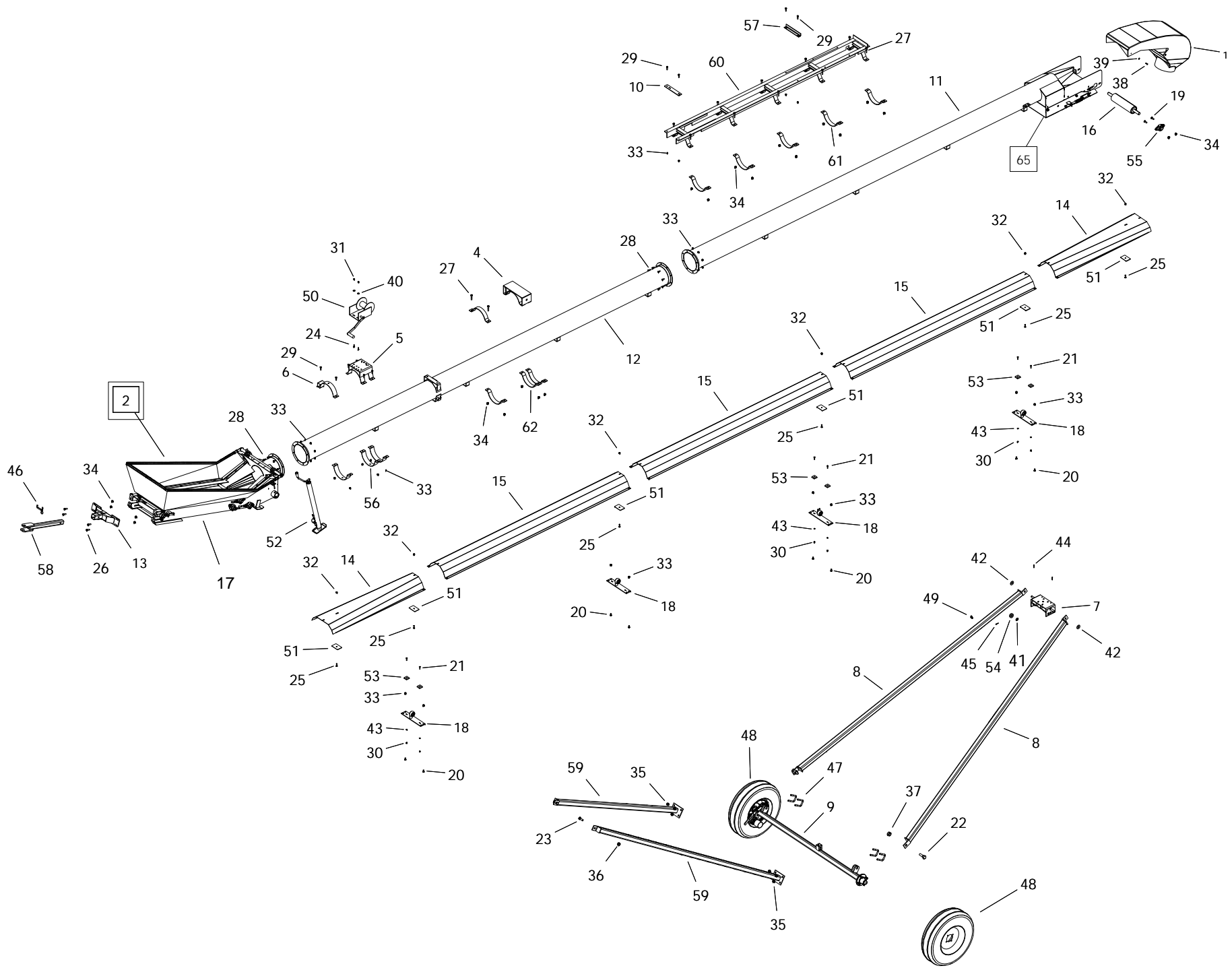
HYDRAULIC DRIVE KIT FOR 1814LP & TD (18000281)

ITEM	PART NO.	DESCRIPTION
1	13041038	SHAFT GUARD(FL-206)
2	25060003	2000 SERIES PITSTOP MOUNT
3	P0118016	BOLT 1/2" X 2" GR8 PLATED
4	P0134008	LOCKNUT-NYLON-1/2"
5	P0134008	LOCKNUT-NYLON-1/2"
6	P0141002	TEK SCREW 1/4"X1"
7	P0151006	FLAT WASHER 1/4"PLATED USS
8	P0311001	ROLLER CHAIN FOR DRIVE(50-2RX14+CL)
9	P0335140	SPROCKET 5014 1.0(KEY0.25)
10	P0335141	SPROCKET 5014 1.25(KEY0.25)
11	P0391003	KEY 1/4" X 1-1/2" LONG
12	P0821112	SWIVEL-1/2" STRAIGHT
13	P0821114	SWIVEL-10ORBx1/2"FS
14	P0821133	HEX NIPPLE-1/2"
15	P0841019	HYD MOTOR-6.2-2000-1"
16	P0861035	CHECK VALVE-1/2" (NO HOLE)
17	P1210032	FL-206 SHAFT GUARD PLUG
18	P1210100	1 1/4 HYDMTR GUARD 4.5 X 6.5



1545 FL TD-15504541

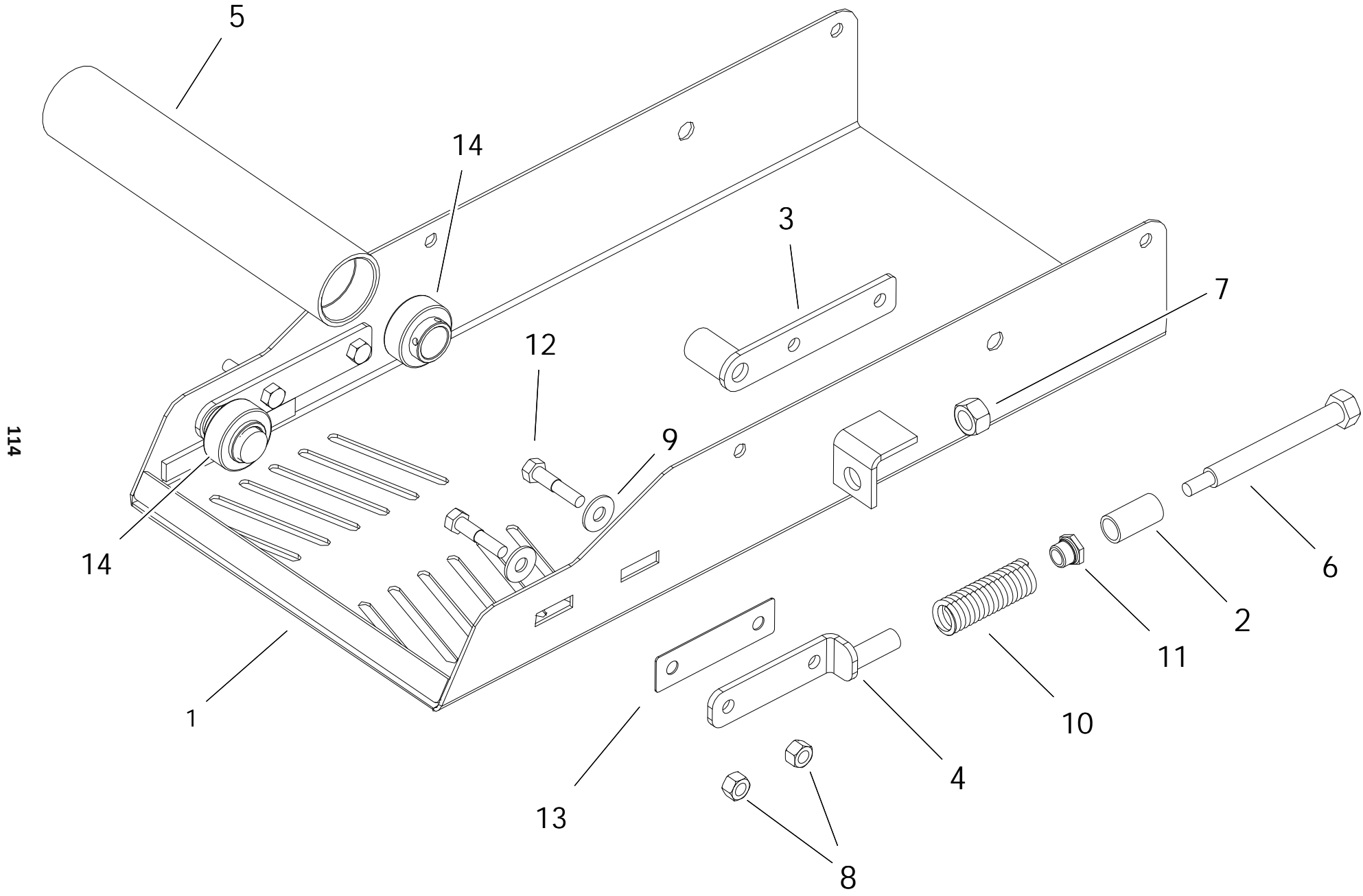
ITEM	PART NO.	DESCRIPTION
1	P1211501	HOOD-ROUND 15 SERIES (KANBAN)
2	15000303P	HOPPER -COLLAPSABLE 1515
3	13000139	MOVER WHEEL MOVE DRIVE SYS.2.5 AXLE
4	13010008	SUSPENSION BRACKET-NO TABS
5	13011013	WINCH MOUNT HD
6	13011029	FIELD LOADER HANDLE BRACKET
7	13030042	13/15 TRACK SLIDER
8	13030048	UPRIGHT ARM 45FL
9	13030100	AXLE 30-45-2-1/2" (WITH 8 LUGS)
10	13032094	35/45 SMALL CABLE ATTACH
11	15020047	SPOUT SECTION 20' W/RTRN MOUNTS
12	15020053	UPPER CENTER 20' TUBE
13	15030007	HITCH FL (ONE PC)
14	15042102	WEATHER GUARD 5' FLR - 61-1/2"
15	15042121	WEATHER GUARD 10' - 121-1/2"
16	15070013	SPOUT DRIVE ROLLER-1-1/4" LAGGED
17	15100031	1500 FL Bottom
18	150100811	WEATHER GUARD MOUNT BAR KIT-POLY
19	P0113001	CARRIAGE BOLT 1/2"X2" PLATED
20	P0113013	CARRIAGE BOLT 7/16"X1" PLATED
21	P0113020	CARRIAGE BOLT 5/16"X1-1/2"PLATED
22	P0118004	BOLT 1" X 3" GR8 PLATED
23	P0115111	BOLT 3/4" X 2" GR8 PLATED
24	P0118046	BOLT 3/8" X 1" GR8 PLATED
25	P0115303	CAPSCREW 3/8X1-1/4FLT HD SOCKET PTD
26	P0118013	BOLT 1/2"X1 1/2" GR.8 PLATED
27	P0118017	BOLT 1/2"X2-1/2"GRADE 8 PLATED
28	P0118076	BOLT 7/16"X1" GRADE 8 PLATED
29	P0118077	BOLT 7/16"X1-1/2" GRADE 8 PLATED
30	P0131017	NUT 5/16" PLATED GRADE 8
31	P0134026	LOCKNUT-NYLON-3/8" GRADE 8
32	P0134026	LOCKNUT-NYLON-3/8" GRADE 8
33	P0134007	LOCKNUT-NYLON-7/16"
34	P0134008	LOCKNUT-NYLON-1/2"
35	P01340101	LOCKNUT-NYLON-5/8" GRADE 8
36	P0134029	LOCKNUT-NYLON-3/4" GRADE 8
37	P0134030	LOCKNUT-NYLON-1" GRADE 8
38	P0141002	TEK SCREW 1/4"X1"
39	P0151006	FLAT WASHER 1/4"PLATED USS
40	P0151009	FLAT WASHER 3/8"PLATED USS
41	P0151026	FLAT WASHER 3/4"SAE
42	P0151031	FLAT WASHER 1"PLATED USS
43	P0152010	LOCK WASHER 5/16"PLATED
44	P0161001	Cotter Pin 1/4 x 2
45	P0161002	COTTER PIN 5/32X1-1/2"PLATED
46	P0162001	HITCH PIN 1/2" X 3" PLATED



1545 FL TD-15504541

ITEM	PART NO.	DESCRIPTION
47	P0183003	U-BOLT 2-1/2" X 2-1/2" (5/8) PLATED
48	P0614301	TIRE ASSEMBLY-15"X4.5"X4BOLT
49	P0712105	CABLE CLAMP-5/16" GALV.
50	P0714102	WINCH-1500# BRAKE
51	P1010001	UNI-MOUNT PLATE CAST
52	P1012010	JACK-1000LB ROUND JACK (15" EXT)
53	P1210030	BELT GUIDE BLOCK
54	P1211305	ROLLER 2" NYLON
55	P1711002	FLANGE UNIT-1-1/4"-SAFL206-20
56	P2219801P	U-CLAMP HANGER-10"X2-1/2"-BLACK
57	13032125	BOLT ON ANGLE
58	13030001	STRAIGHT TONGUE
59	13030102	AXLE ARM 30/35TD/45-2-1/2"
60	13031019	55 TRACK
61	P2513212P	2" LOCKING U-CLAMP PAINTED
62	P2513202P	2" U-CLAMP -PAINTED
63	P1243001	CABLE TIE 14" 120 LB
64	P2227989	MANUAL HOLDER AND LID
65	15597000	SPOUT PINCH RLLR KIT
66	P0711108	CABLE-5/16" (44') (50740)
67	15570453	1545FLTD 100' 5"

SPOUT PINCH ROLLER KIT (15597000)

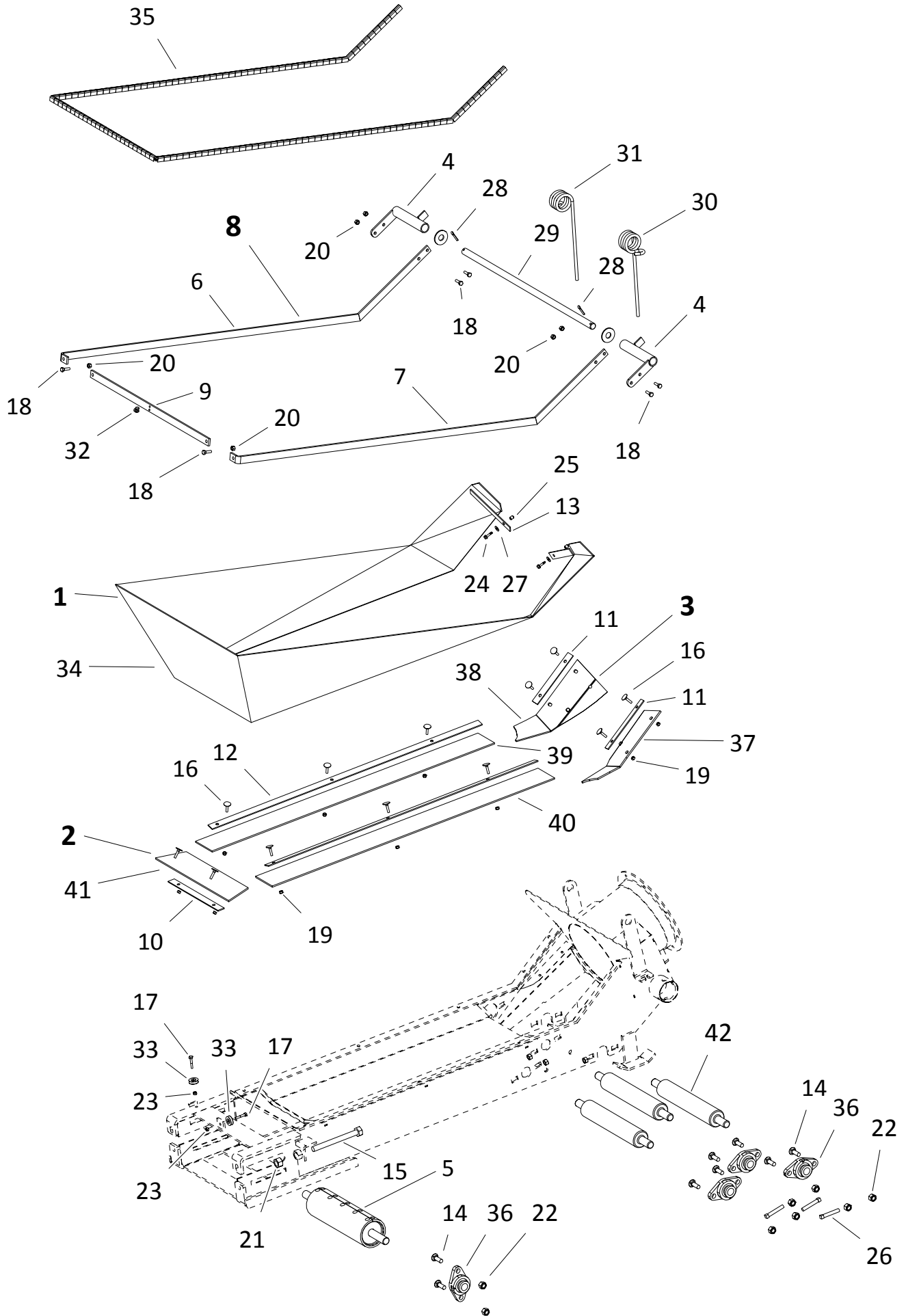


114

SPOUT PINCH ROLLER KIT (15597000)

ITEM	PART NO.	DESCRIPTION
1	15061020	TD PINCH MOUNT
2	15062110	TD PINCH PIPE
3	15070026	ROLLER MOUNT
4	15070027	PUSH BAR
5	15072025	SPOUT PINCH PIPE
6	P0113000	SPRING TENSION BOLT
7	P0131019	NUT 3/4" PLATED GRADE 8
8	P0134008	LOCKNUT-NYLON-1/2"
9	P0151025	FLAT WASHER 1/2" PLATED USS
10	P0511008	SPRING-LD-1300 SERIES
11	P0820129	BUSHING BRASS FLANGED
12	P01180161	BOLT 1/2" X 2-1/4" GR8 PLATED
13	P1211023	TD PINCH SLIDER PLATE
14	P1742005	BEARING-1-1/4" W/SET SCREWS-FLAT
15	P0351010	MACHINERY BUSHING 7/8" MEDIUM (NOT SHOWN)

HOPPER (15000303P)

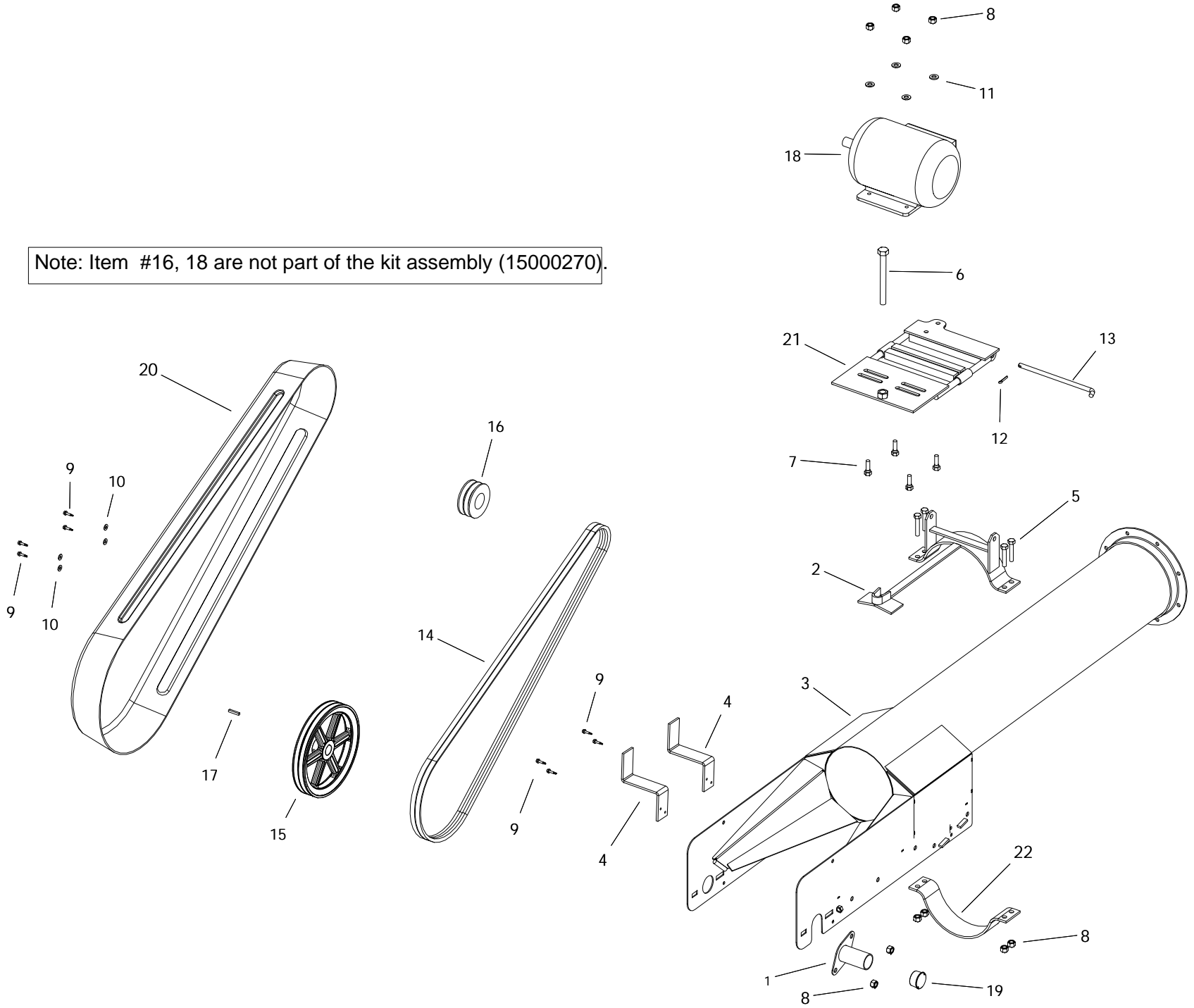


HOPPER (15000303P)

ITEM	PART NO.	DESCRIPTION
1	15000303P	HOPPER -COLLAPSABLE 1515
2	15000307P	HOPPER LINER KIT 1515LP
3	15000308P	HOPPER -FLASHING ONLY 1515LP
4	15050010	PIVOT SHAFT RIGHT
5	15070012	TAKE-UP ROLLER-1-1/4" LAGGED
6	15100001	UPPER CLOTH FRAME TR RIGHT
7	15100002	UPPER CLOTH FRAME TR LEFT
8	15100021	HOPPER CLOTH FRAME-UPPER 1515LP
9	15102052	UPPER CLOTH FRAME TR FRONT
10	15102058	LOWER CLOTH FRAME TR FRONT
11	15102059	LOWER CLOTH FRAME TR TRANSITION
12	15102060	LOWER CLOTH FRAME TR SIDE
13	15102061	LOWER CLOTH FRAME TR BACK
14	P0113004	CARRIAGE BOLT 1/2"X1-1/2"PLATED
15	P0114007	TAP BOLT 3/4 X 7 PLATED
16	P0116001	ELEVATOR BOLT 1/4"X1-1/4"
17	P0118026	BOLT 1/4" X 1-1/2" GR8 PLATED
18	P0118061	BOLT 5/16" X 1" GR8 PLATED
19	P0131016	NUT 1/4" PLATED GRADE 8
20	P0131017	NUT 5/16" PLATED GRADE 8
21	P0131112	NUT 3/4"PLATED
22	P0134008	LOCKNUT-NYLON-1/2"
23	P0134023	LOCKNUT-NYLON-1/4" GR8
24	P0141002	TEK SCREW 1/4"X1"
25	P0145001	VINYL SCREW CAP
26	P0145002	SET SCREW-7/16"X2-1/2"SQ.HD.
27	P0151006	FLAT WASHER 1/4"PLATED USS
28	P0161003	COTTER PIN 3/16"X1-1/2"PLATED
29	P0162007	HOPPER PIVOT SHAFT-13/15
30	P0521001	HOPPER SPRING-L
31	P0521002	HOPPER SPRING-R
32	P0712104	CABLE CLAMP-1/8" GALV.
33	P0713104	CABLE SHEAVE-1-1/4" W/BEARING
34	P1621010	HOPPER CANVAS 1515LP
35	P1641015	TRIM LOCK
36	P1711002	FLANGE UNIT-1-1/4"-SAFL206-20
37	P11139006	HOPPER FLASHING TRANSITION LEFT FL
38	P11139007	HOPPER FLASHING TRANSITION RIGHT FL
39	P19159008	FL HOPPER FLASHING LH
40	P19159009	FL HOPPER FLASHING RH
41	P19159012	FRONT HOPPER FLASHING
42	P20315002	TRANSITION ROLLER

ELECTRIC DRIVE KIT (15000270)

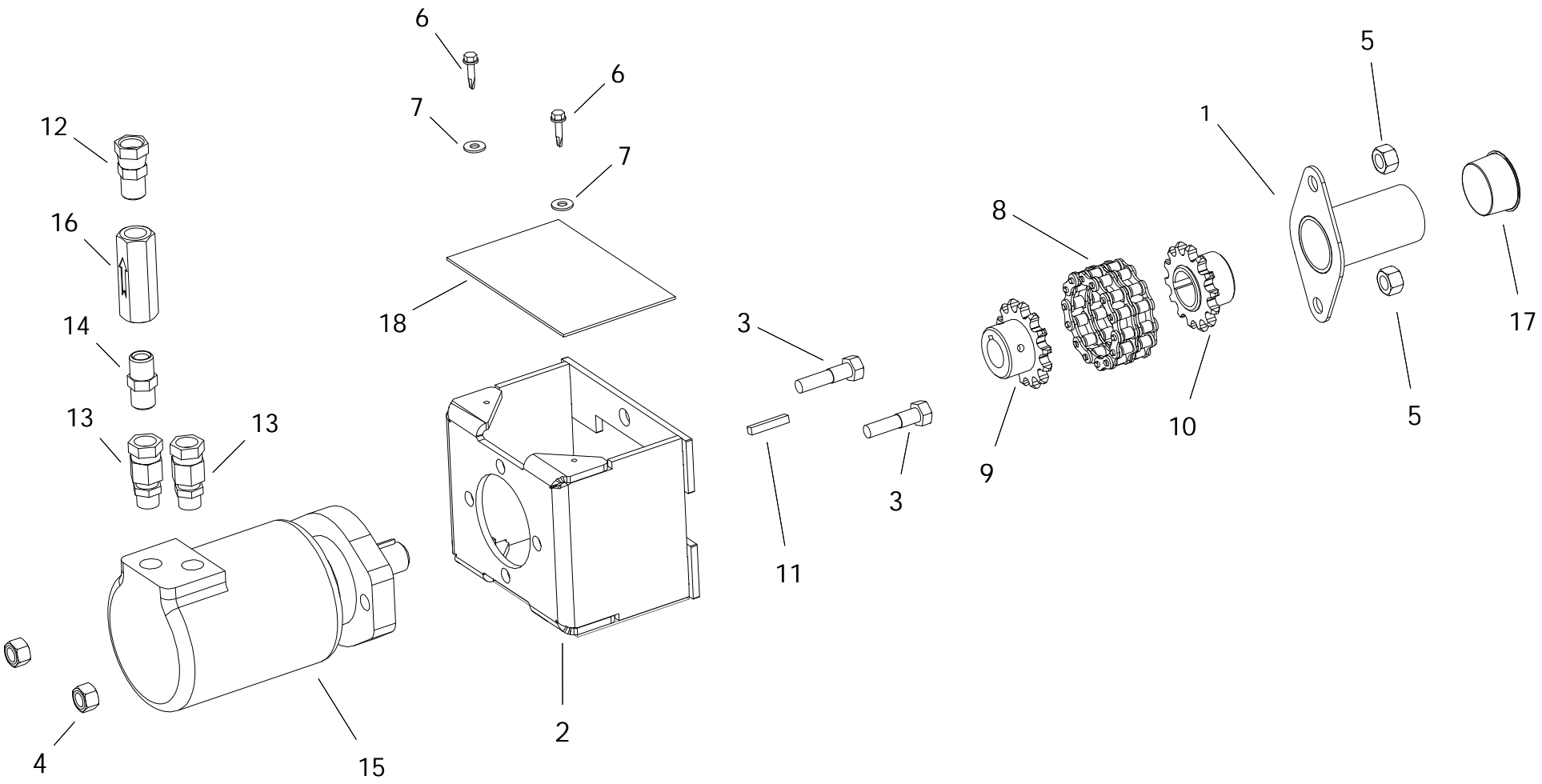
Note: Item #16, 18 are not part of the kit assembly (15000270).



ELECTRIC DRIVE KIT (15000270)

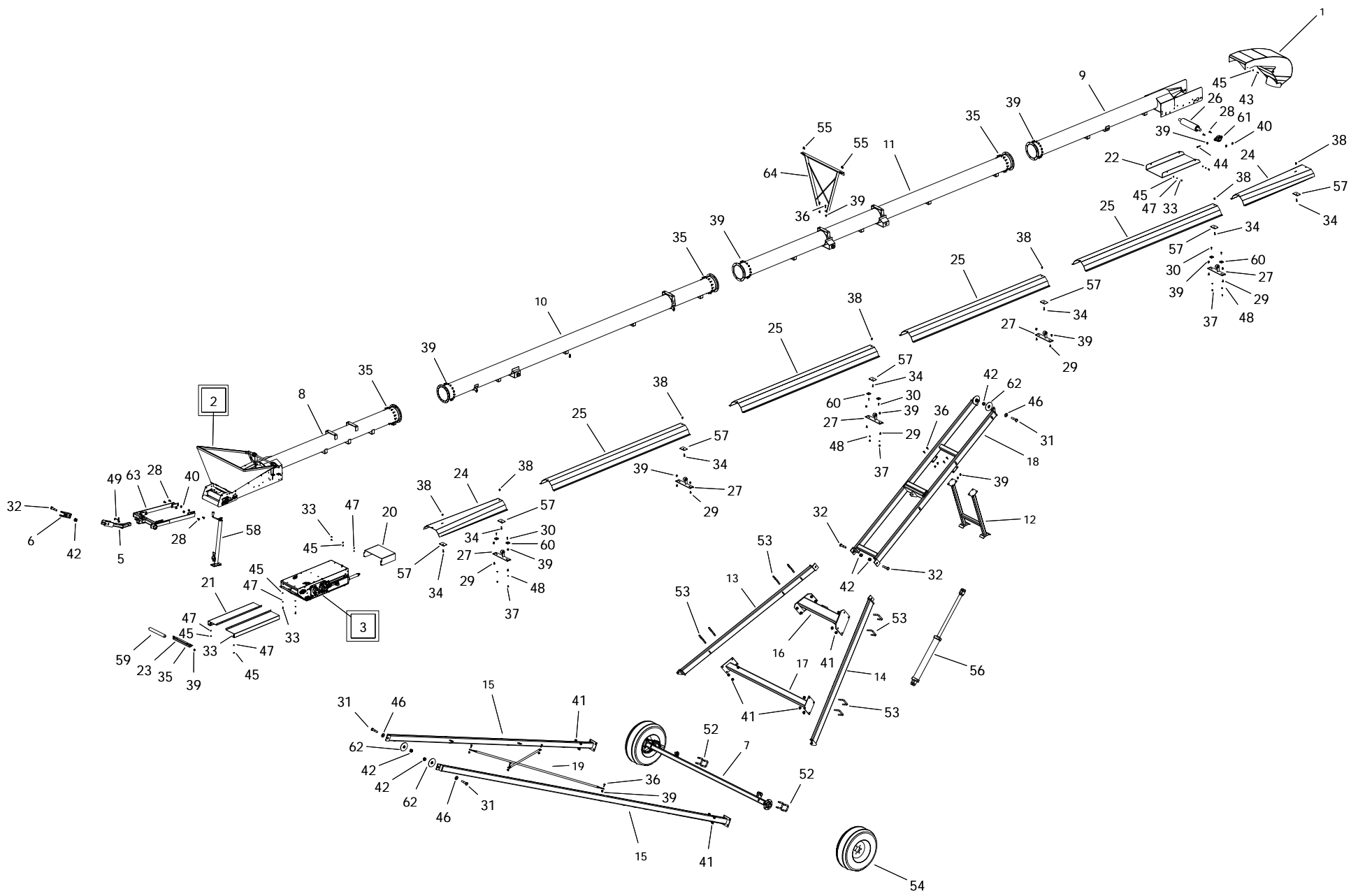
ITEM	PART NO.	DESCRIPTION
1	13041038	SHAFT GUARD(FL-206)
2	13060004	ELECTRIC MOTOR CLAMP
3	15020006	TRANSFER SPOUT 60"
4	25013011	PIT GUARD MOUNT
5	P0114005	TAP BOLT 1/2 X 2-1/2 GR.8 PLATED
6	P0114007	TAP BOLT 3/4 X 7 PLATED
7	P0118017	BOLT 1/2"X2-1/2"GRADE 8 PLATED
8	P0134008	LOCKNUT-NYLON-1/2"
9	P0141002	TEK SCREW 1/4"X1"
10	P0151006	FLAT WASHER 1/4"PLATED USS
11	P0151025	FLAT WASHER 1/2" PLATED USS
12	P0161003	COTTER PIN 3/16"X1-1/2"PLATED
13	P0162005	PIN-ELECT.MTR.MNT-SHORT
14	P0321103	BELT B103
15	P0328007	PULLEY-DBL-B-12" W/1-1/4"BORE
16	P0328018	PULLEY-DBL-BK-4"H
17	P0391003	KEY 1/4" X 1-1/2" LONG
18	P0931020	MOTOR 5HP
19	P1210032	FL-206 SHAFT GUARD PLUG
20	P1211803	PIT GUARD
21	13060037	ELECTRIC MOTOR MOUNT BASE
22	P2513203P	3" U-CLAMP PAINTED

HYDRAULIC DRIVE KIT FOR 1814LP & TD (18000281)



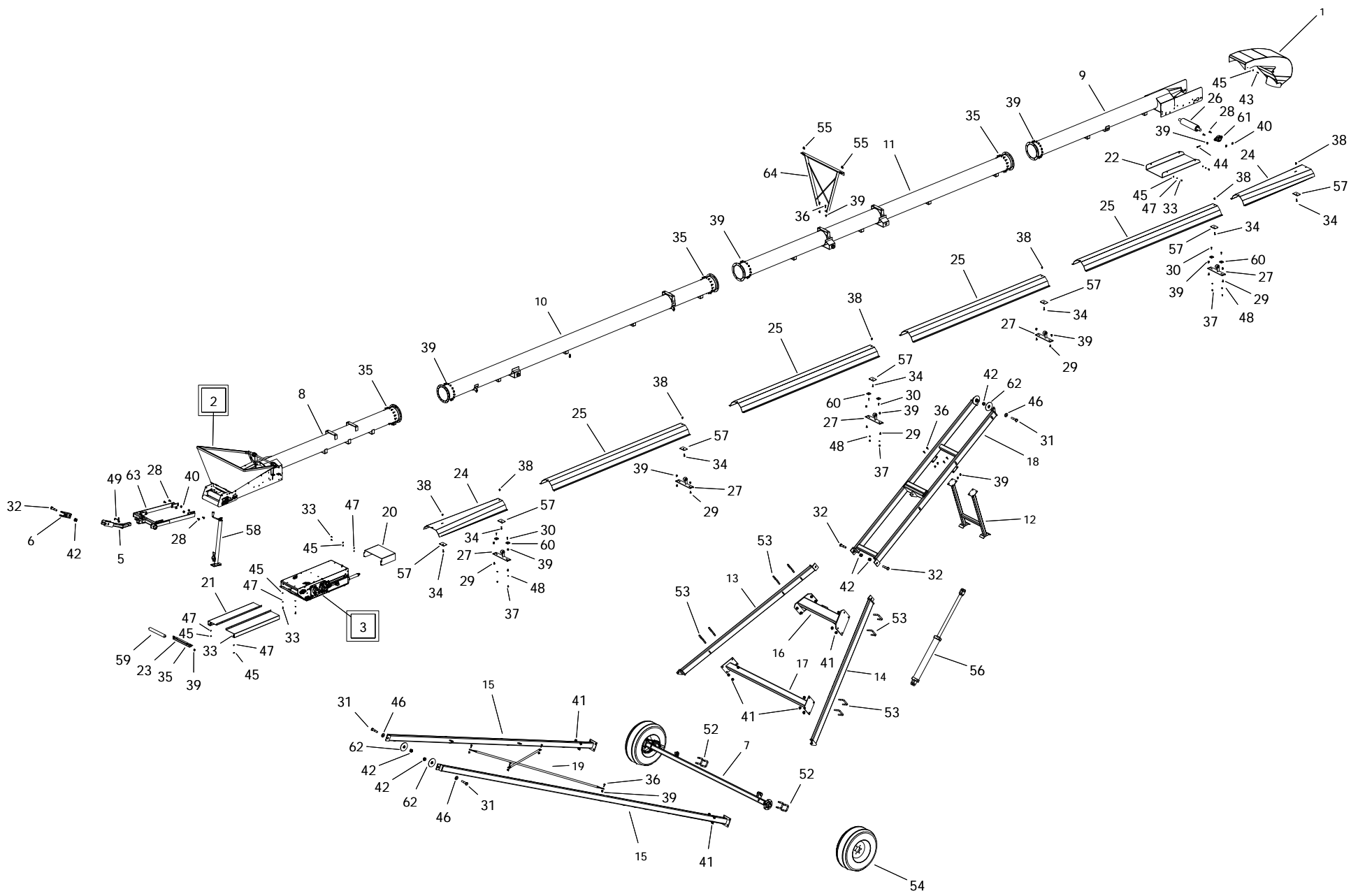
HYDRAULIC DRIVE KIT FOR 1814LP & TD (18000281)

ITEM	PART NO.	DESCRIPTION
1	13041038	SHAFT GUARD(FL-206)
2	25060003	2000 SERIES PITSTOP MOUNT
3	P0118016	BOLT 1/2" X 2" GR8 PLATED
4	P0134008	LOCKNUT-NYLON-1/2"
5	P0134008	LOCKNUT-NYLON-1/2"
6	P0141002	TEK SCREW 1/4"X1"
7	P0151006	FLAT WASHER 1/4"PLATED USS
8	P0311001	ROLLER CHAIN FOR DRIVE(50-2RX14+CL)
9	P0335140	SPROCKET 5014 1.0(KEY0.25)
10	P0335141	SPROCKET 5014 1.25(KEY0.25)
11	P0391003	KEY 1/4" X 1-1/2" LONG
12	P0821112	SWIVEL-1/2" STRAIGHT
13	P0821114	SWIVEL-10ORBx1/2"FS
14	P0821133	HEX NIPPLE-1/2"
15	P0841019	HYD MOTOR-6.2-2000-1"
16	P0861035	CHECK VALVE-1/2" (NO HOLE)
17	P1210032	FL-206 SHAFT GUARD PLUG
18	P1210100	1 1/4 HYDMTR GUARD 4.5 X 6.5



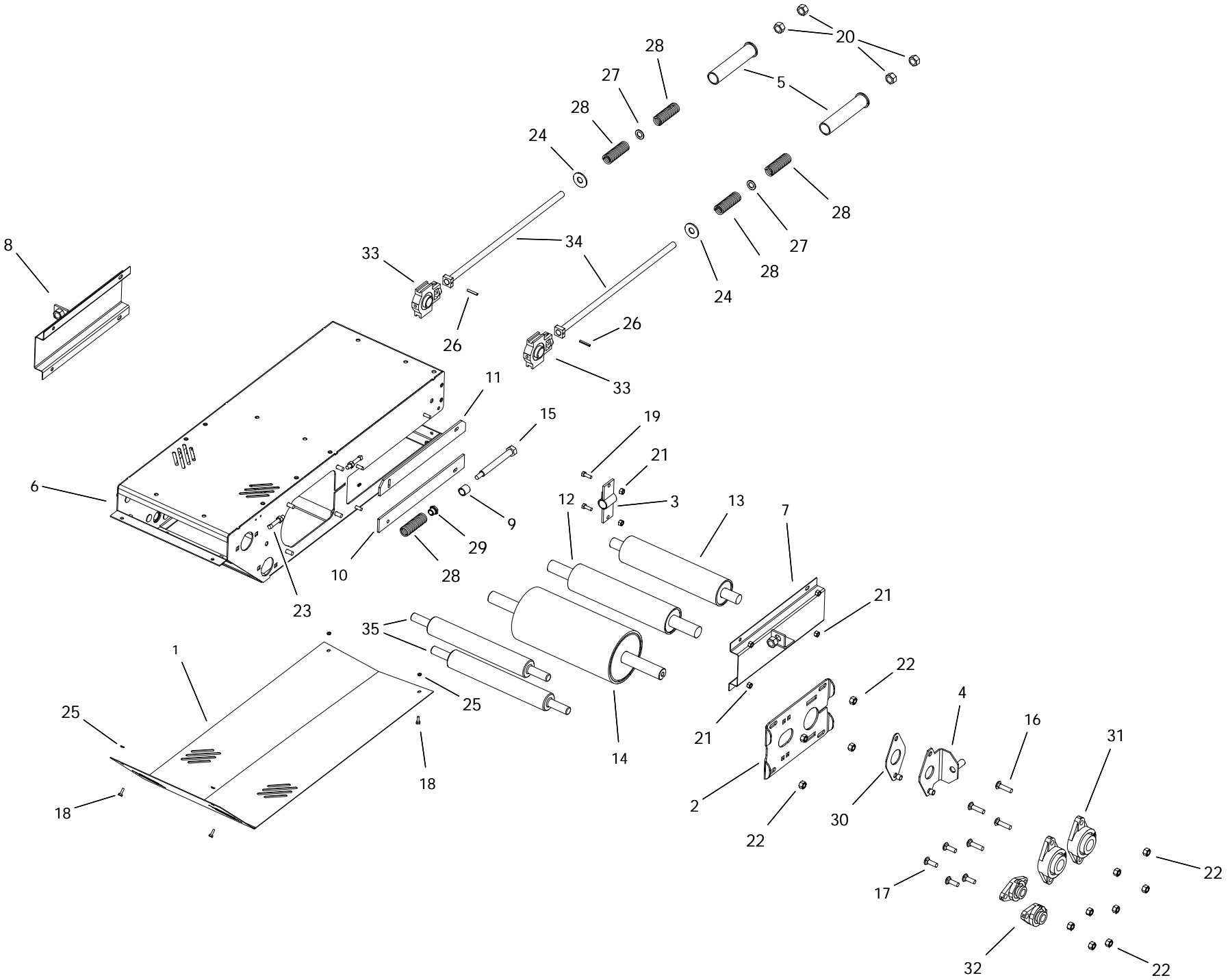
1565 SD-15506511

ITEM	PART NO.	DESCRIPTION
1	P1211501	HOOD-ROUND 15 SERIES (KANBAN)
2	15000304P	HOPPER -COLLAPSABLE STD
3	15590020	S-DRIVE ASM W/PINCH
4	13000139	MOVER WHEEL MOVE DRIVE SYS.2.5 AXLE
5	13030016	Tongue
6	13030017	CLEVIS
7	13030105	1365-85 Axle (6 bolt)
8	15020040	BT HOPPER SECTION 10' WITH SD BKTS
9	15020045	SPOUT SECTION 10' W/CABLE RTRN BKT
10	15020051	BOTTOM TUBE WITH ANCHORS
11	15020052	SUSPENSION BRACKET TUBE
12	15031001	65/75 TRANSPORT BRACE
13	15031029	65/75 LIFT ARM LEFT
14	15031030	65/75 LIFT ARM RIGHT
15	15031032	65/75 AXLE ARM
16	15031035	65/75 UPPER LIFT ARM BRACE
17	15031036	65/75 LOWER LIFT ARM BRACE
18	15031037	65/75 LADDER
19	15032030	CROSS BRACE
20	15040040	PINCH DRIVE FRONT GUARD
21	15042040	SD-HOPPER BELT GUARD
22	15042093	SPOUT BOTTOM COVER
23	15042094	HOPPER GUARD BRACKET
24	15042102	WEATHER GUARD 5' FLR - 61-1/2"
25	15042121	WEATHER GUARD 10' - 121-1/2"
26	15070009	HOPPER/SPOUT ROLLER LAGGED
27	150100811	WEATHER GUARD MOUNT BAR KIT-POLY
28	P0113004	CARRIAGE BOLT 1/2"X1-1/2"PLATED
29	P0113013	CARRIAGE BOLT 7/16"X1" PLATED
30	P0113020	CARRIAGE BOLT 5/16"X1-1/2"PLATED
31	P0118004	BOLT 1" X 3" GR8 PLATED
32	0118007	BOLT 1" X 4-1/2" GR8 PLATED
33	P0118033	BOLT 1/4" X 3/4" GR8 PLATED
34	P0115303	CAPSCREW 3/8X1-1/4FLT HD SOCKET PTD
35	P0118076	BOLT 7/16"X1" GRADE 8 PLATED
36	P0118077	BOLT 7/16"X1-1/2" GRADE 8 PLATED
37	P0131017	NUT 5/16" PLATED GRADE 8
38	P0134026	LOCKNUT-NYLON-3/8" GRADE 8
39	P0134007	LOCKNUT-NYLON-7/16"
40	P0134008	LOCKNUT-NYLON-1/2"
41	P0134029	LOCKNUT-NYLON-3/4" GRADE 8
42	P0134030	LOCKNUT-NYLON-1" GRADE 8
43	P0141002	TEK SCREW 1/4"X1"
44	P0145002	SET SCREW-7/16"X2-1/2"SQ.HD.
45	P0151006	FLAT WASHER 1/4"PLATED USS
46	P0151031	FLAT WASHER 1"PLATED USS



1565 SD-15506511

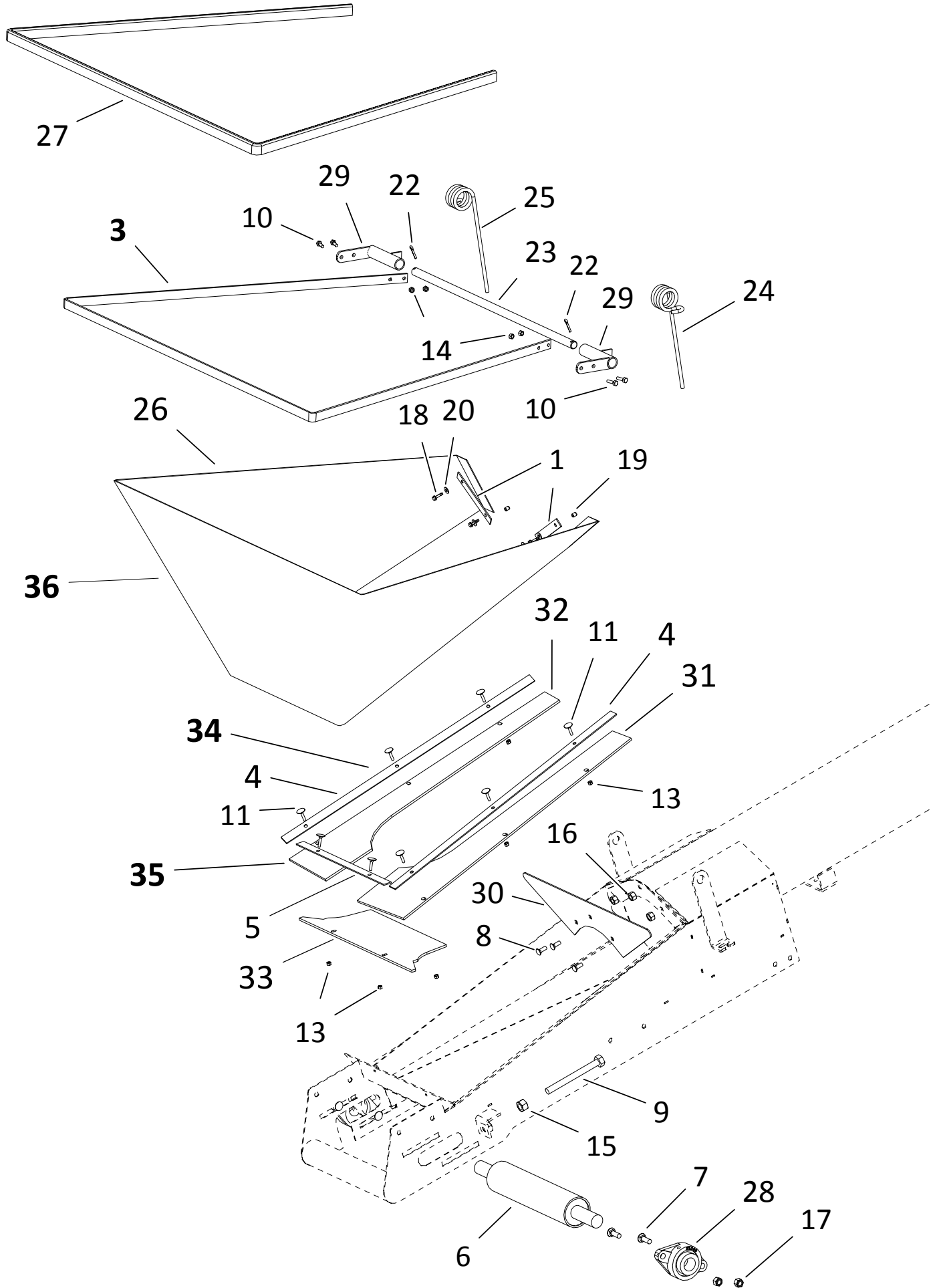
ITEM	PART NO.	DESCRIPTION
47	P0152004	LOCK WASHER 1/4" PLATED
48	P0152010	LOCK WASHER 5/16" PLATED
49	P0162001	HITCH PIN 1/2" X 3" PLATED
52	P0183004	U-BOLT 3" X 3" -PLATED
53	P0183005	U-BOLT 5"X2" (3/4") PTD
54	P0615307	TIRE ASSEMBLY-15"X6"X6BOLT
55	P0712109	CABLE CLAMP-3/8"
56	P0814030	HYD CYL-4X30
57	P1010001	UNI-MOUNT PLATE CAST
58	P1012009	JACK-7000LB SQ.TUBE 25" EXT
59	P1021006	ROLLER HEX 15-7/8"
60	P1210030	BELT GUIDE BLOCK
61	P1711001	FLANGE UNIT-1-1/2"-SAFL208-24
62	P2515002	FRAME BUSHING
63	15030015	15 SERIES HITCH
64	15010103	HIGH CABLE BRIDGE
65	15570651	1565 135' 3"
66	P0183021	3/8" EYE BOLT ASM
67	P07111116	CABLE-3/8" (93') (NOT SHOWN)
68	P1243001	CABLE TIE 14" 120 LB
69	P2227989	MANUAL HOLDER AND LID
70	15570651	1565 135' 3"



S-DRIVE (15590020)

ITEM	PART NO.	DESCRIPTION
1	15040001	PINCH SD BOTTOM GUARD
2	15060061	SD COVER PLATE 6-1/2"ROLLER
3	15060079	S-DRIVE TAKEUP BRACKET
4	15060082	PINCH TIGHTENER PLATE
5	15060504	PRETENSIONER 1550
6	15061045	S-DRIVE PINCH
7	15061046	SIDE GUARD LH
8	15061047	SIDE GUARD RH
9	15062010	PINCH PIPE
10	15062179	S-DRIVE SLIDER BOLT PLATE - BOTTOM
11	15062180	S-DRIVE SLIDER BOLT PLATE - TOP
12	15070019	3-1/2"TAKE-UP (PINCH)
13	15070020	3-1/2"TAKE-UP 19.5"SHAFT
14	15070030	DRIVE ROLLER-6-1/2" W/EXT SHAFT
15	P0113000	SPRING TENSION BOLT
16	P0113001	CARRIAGE BOLT 1/2"X2" PLATED
17	P0113004	CARRIAGE BOLT 1/2"X1-1/2"PLATED
18	P0118033	BOLT 1/4" X 3/4" GR8 PLATED
19	P0118046	BOLT 3/8" X 1" GR8 PLATED
20	P0131019	NUT 3/4" PLATED GRADE 8
21	P0134026	LOCKNUT-NYLON-3/8" GRADE 8
22	P0134008	LOCKNUT-NYLON-1/2"
23	P0145002	SET SCREW-7/16"X2-1/2"SQ.HD.
24	P0151015	FLAT WASHER 3/4"PLATED USS
25	P0152004	LOCK WASHER 1/4"PLATED
26	P0167001	SPRING PIN 1/4" X 1-1/2"
27	P0351015	MACHINERY BUSH 3/4"X1-1/4"-14G PTD.
28	P0511008	SPRING-LD-1300 SERIES
29	P0820129	BUSHING BRASS FLANGED
30	P1210102	BELT TIGHTENER SLIDER PLATE FL208
31	P1711001	FLANGE UNIT-1-1/2"-SAFL208-24
32	P1711004	FLANGE UNIT-1"-SAFL205-16
33	P1721001	TAKE-UP UNIT-1-1/4"-T206-20
34	P2515006	15 S-DRIVE TIGHTENER BOLT
35	P20315001	S-DRIVE RETURN-1" ROLLER

HOPPER (15000304P)

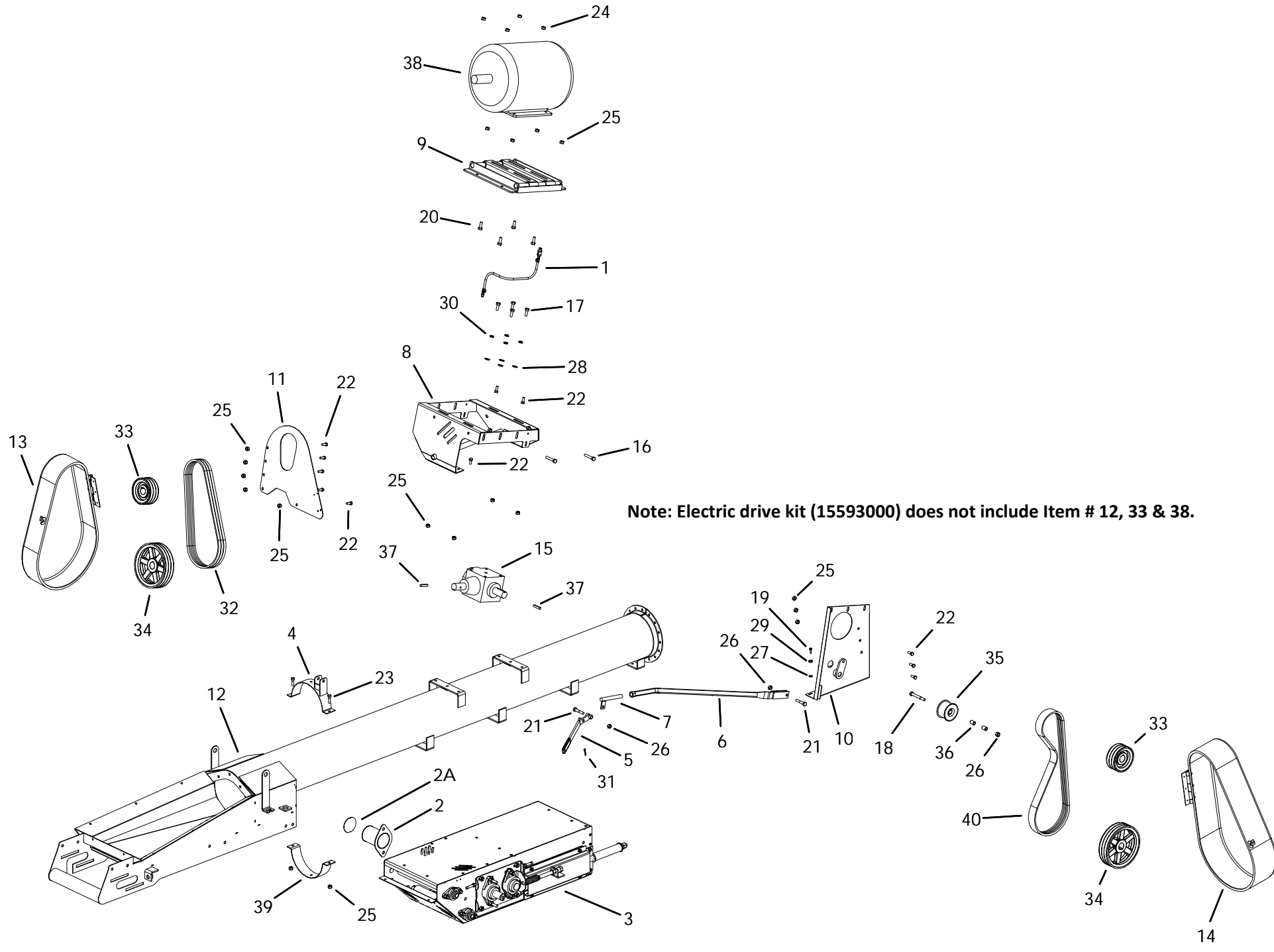


HOPPER (15000304P)

ITEM	PART NO.	DESCRIPTION
1	13052001	LOWER CLOTH FRAME STD BACK
3	15052004	UPPER CLOTH FRAME STD
4	15052101	LOWER CLOTH FRAME STD SIDE
5	15052102	LOWER CLOTH FRAME STD FRONT
6	15070009	HOPPER/SPOUT ROLLER LAGGED
7	P0113004	CARRIAGE BOLT 1/2"X1-1/2"PLATED
8	P0113015	CARRIAGE BOLT 3/8"X1" PLATED
9	P0114007	TAP BOLT 3/4 X 7 PLATED
10	P0118061	BOLT 5/16" X 1" GR8 PLATED
11	P0116001	ELEVATOR BOLT 1/4"X1-1/4"
13	P0131016	NUT 1/4" PLATED GRADE 8
14	P0131017	NUT 5/16" PLATED GRADE 8
15	P0131019	NUT 3/4" PLATED GRADE 8
16	P0134026	LOCKNUT-NYLON-3/8" GRADE 8
17	P0134008	LOCKNUT-NYLON-1/2"
18	P0141002	TEK SCREW 1/4"X1"
19	P0145001	VINYL SCREW CAP
20	P0151006	FLAT WASHER 1/4"PLATED USS
22	P0161003	COTTER PIN 3/16"X1-1/2"PLATED
23	P0162007	HOPPER PIVOT SHAFT-13/15
24	P0521001	HOPPER SPRING-L
25	P0521002	HOPPER SPRING-R
26	P1621007	HOPPER CANVAS-15 CONV.
27	P1641015	TRIM LOCK
28	P1711001	FLANGE UNIT-1-1/2"-SAFL208-24
29	P2515017	PIVOT SHAFT BRACKET
30	P11150047	HOPPER SHIELD
31	P19159000	HOPPER LEFT FLASHING STD
32	P19159001	HOPPER RIGHT FLASHING STD
33	P19159002	HOPPER FRONT FLASHING STD
34	15000314	HOPPER -LINER KIT STD
35	15000306P	HOPPER -FLASHING ONLY STD
36	15000304P	HOPPER -COLLAPSABLE STD

ELECTRIC DRIVE KIT (15593000)

130

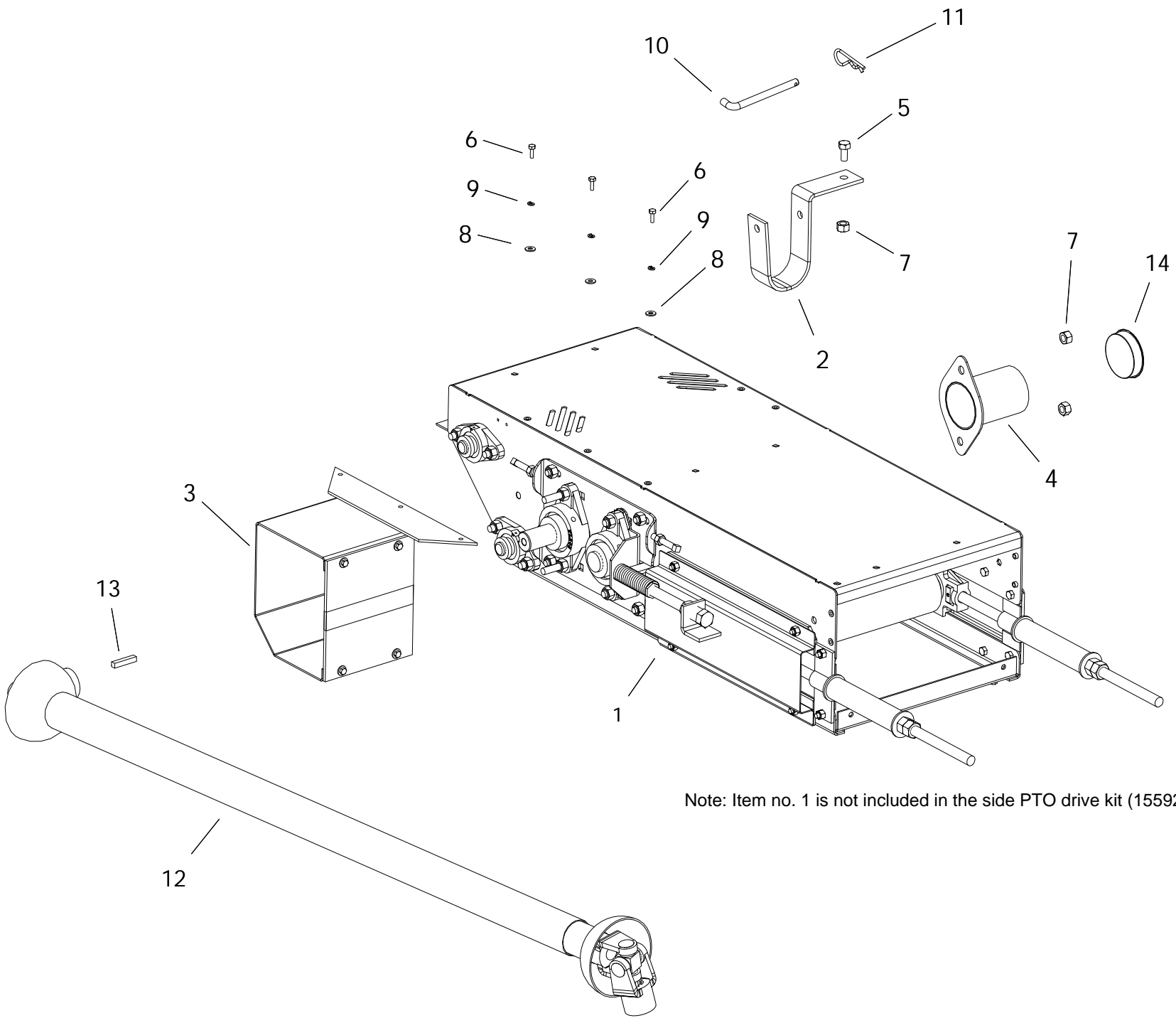


Note: Electric drive kit (15593000) does not include Item # 12, 33 & 38.

ELECTRIC DRIVE KIT (15593000)

ITEM	PART NO.	DESCRIPTION
1	01010003	BREATHER DIRECT DRIVE
2	24041038	SHAFT GUARD(FL-210)
2A	P1210033	501 SHAFT GUARD PLUG
3	15590020	S-DRIVE ASM W/PINCH
4	13010048	MOTOR MT OVERCENTER ANCHOR BKT
5	13010054	MOTOR MT OVERCENTER HANDLE
6	13060068	MOTOR MT OVERCENTER PUSHROD
7	13060074	OVERCENTER ADJUSTER
8	13060102	MOTOR MOUNT
9	13060103	SLIDER MOUNT
10	13060105	MOTOR MOUNT BACK PLATE
11	13060107	ENGINE GUARD BACK
12	15020040	BT HOPPER SECTION 10' WITH SD BKTS
13	15040055	PINCH GUARD SMALL ASSEMBLED
14	15040056	PINCH GUARD MED ASSEMBLED
15	15591000	GBOX 90 1:1 CW/CW 1-1/2 4190 W/OIL
16	P0114005	TAP BOLT 1/2 X 2-1/2 GR.8 PLATED
17	P0115020	BOLT 1/2" X 1-1/4" GR5 PLATED
18	P0118130	BOLT 1/2" X 4" GR8 PLATED
19	P0118131	BOLT 1/4" X 1" GR8 PLATED
20	P0118061	BOLT 5/16" X 1" GR8 PLATED
21	P0118016	BOLT 1/2" X 2" GR8 PLATED
22	P0118076	BOLT 7/16"X1" GRADE 8 PLATED
23	P0118077	BOLT 7/16"X1-1/2" GRADE 8 PLATED
24	P0134027	LOCKNUT-NYLON-5/16" GRADE 8
25	P0134007	LOCKNUT-NYLON-7/16"
26	P0134008	LOCKNUT-NYLON-1/2"
27	P0151006	FLAT WASHER 1/4"PLATED USS
28	P0151029	FLAT WASHER 1/2"PLATED USS
29	P0152004	LOCK WASHER 1/4"PLATED
30	P0152008	LOCK WASHER 1/2"PLATED
31	P0161003	COTTER PIN 3/16"X1-1/2"PLATED
32	P0321052	BELT B52
33	P0328050	PULLEY-TRPL-6" W/1-1/2"BORE
34	P0328079	PULLEY-TRPL-10" W/1-1/2"BORE
35	P0328910	IDLER-FLAT-4"TRPL 2-7/16"WIDE
36	P0351019	BUSHING 3/4"ODX1/2"IDX1"BRONZE
37	P0391002	KEY 3/8" X 2" LONG
38	P0931004	ELECTRIC MOTOR 10HP
39	P2219801P	U-CLAMP HANGER-10"X2-1/2"-BLACK
40	P03210652	BELT 3B65 BANDED

SIDE P.T.O. DRIVE KIT 15 SERIES (15592200)

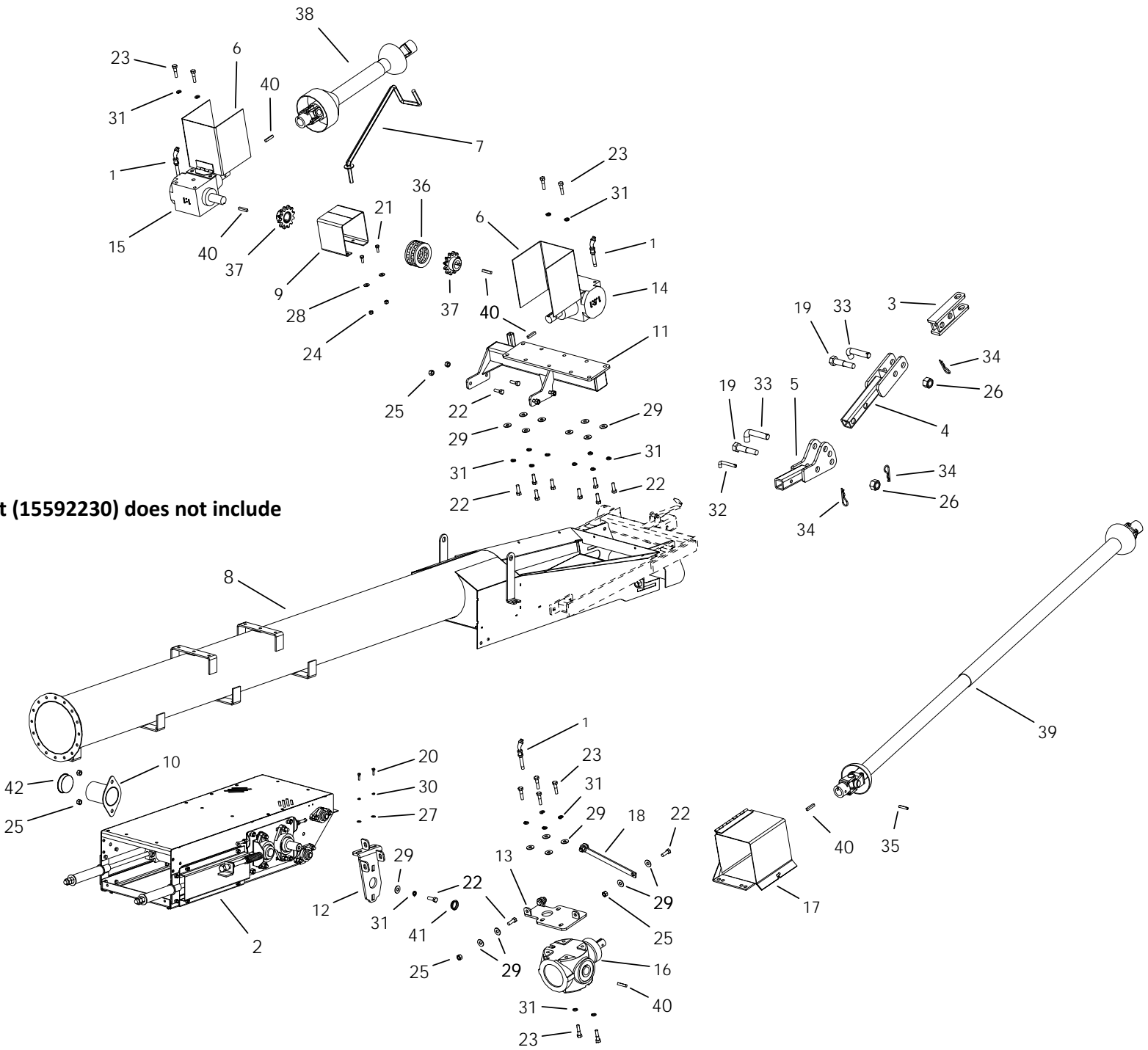


Note: Item no. 1 is not included in the side PTO drive kit (15592200)

SIDE P.T.O. DRIVE KIT 15 SERIES (15592200)

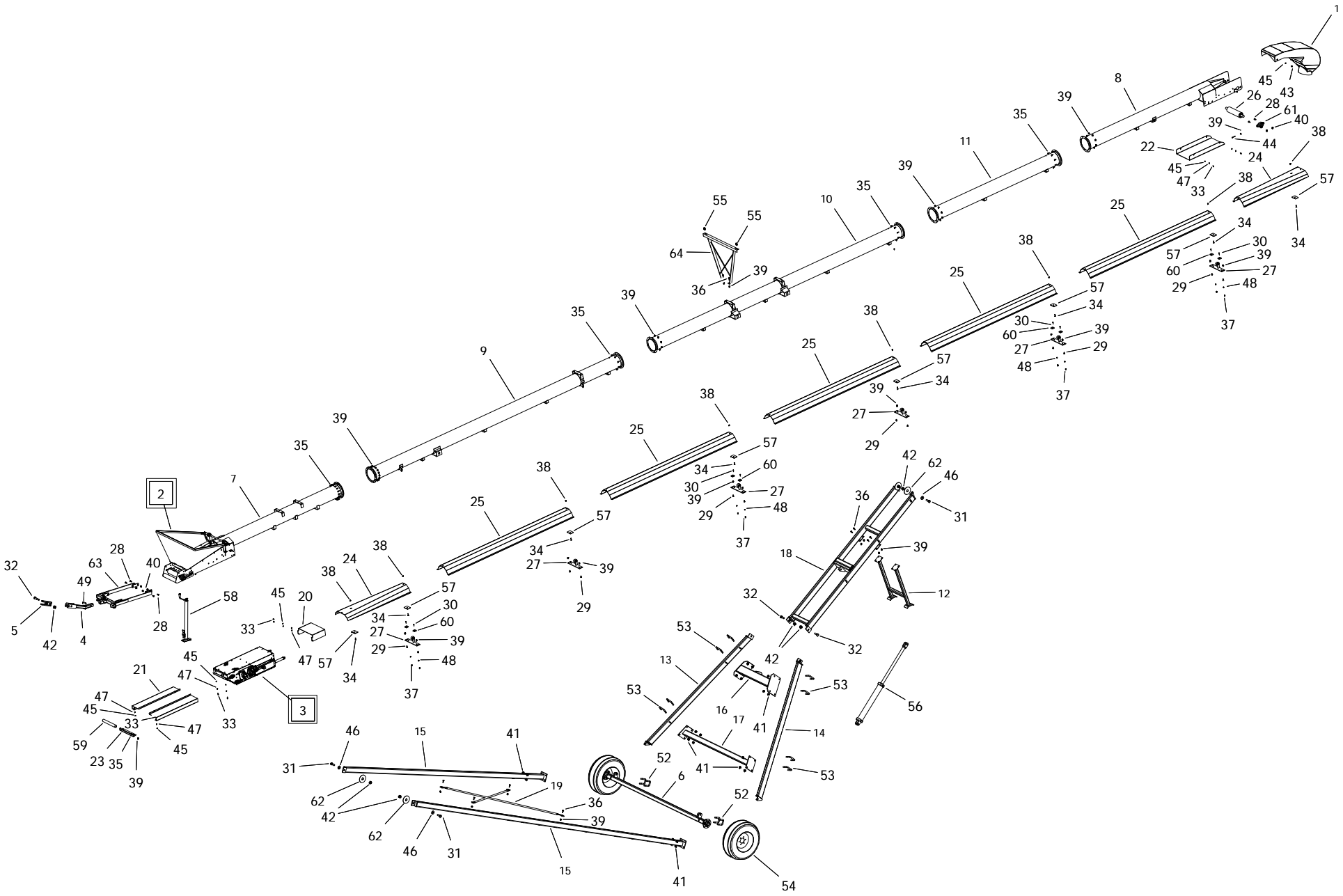
ITEM	PART NO.	DESCRIPTION
1	15590020	S-DRIVE ASM W/PINCH
2	13042018	PTO CRADLE
3	15040002	PTO GUARD
4	15041038	SHAFT GUARD(FL-208)
5	P0118012	BOLT 1/2" X 1" GR8 PLATED
6	P0118033	BOLT 1/4" X 3/4" GR8 PLATED
7	P0134008	LOCKNUT-NYLON-1/2"
8	P0151006	FLAT WASHER 1/4"PLATED USS
9	P0152004	LOCK WASHER 1/4"PLATED
10	P0162004	HITCH PIN 1/2" X 5" PLATED
11	P0163001	HAIR PIN 3/16" X 3-1/4"
12	P0381014	PTO SHAFT 1-1/2"X75"
13	P0391002	KEY 3/8" X 2" LONG
14	P1210033	501 SHAFT GUARD PLUG

FRONT DRIVE PTO KIT 15 SERIES (15592230)



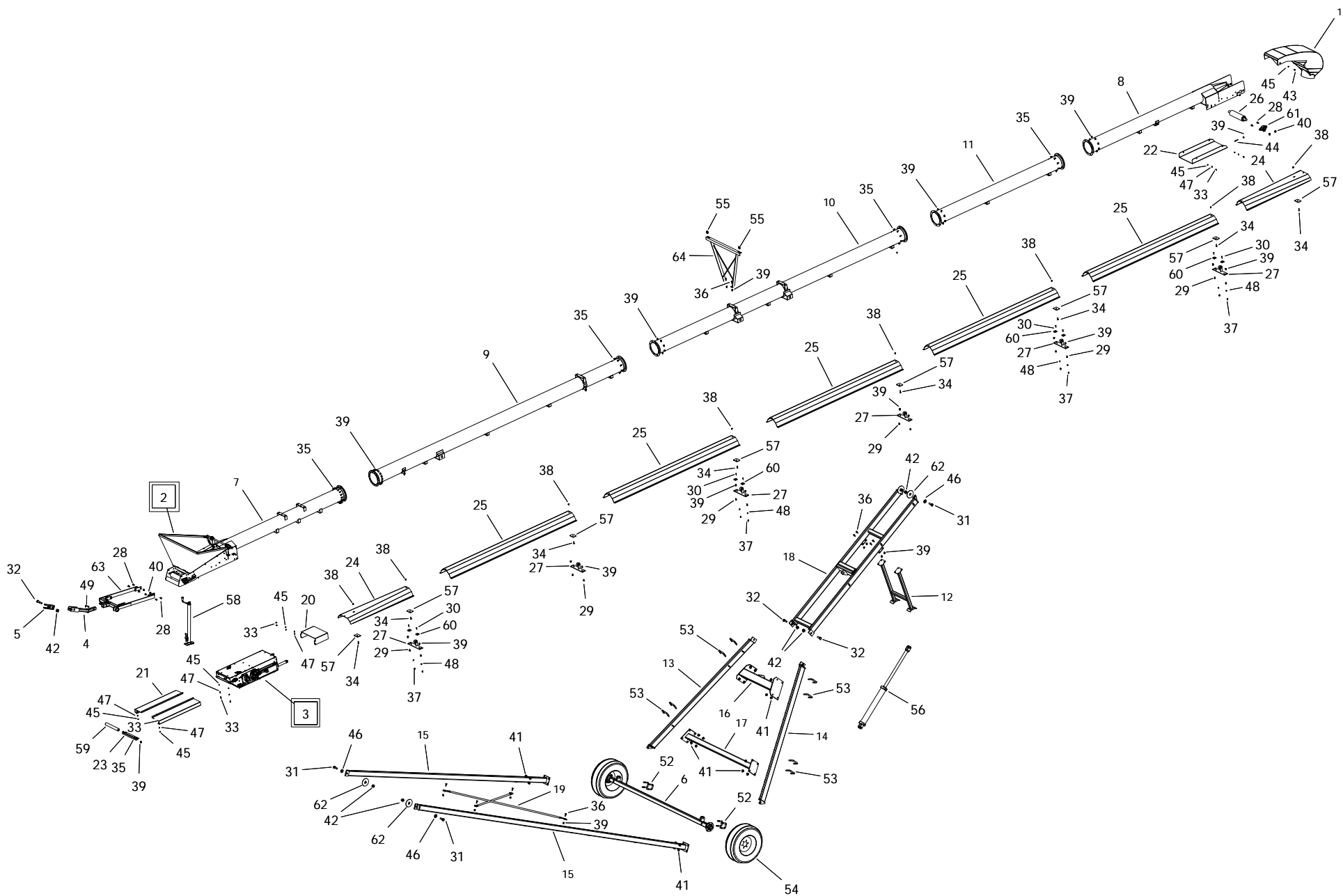
FRONT DRIVE PTO KIT 15 SERIES (15592230)

ITEM	PART NO.	DESCRIPTION
1	01010002	BREATHER -SWING AWAY
2	15590020	S-DRIVE ASM W/PINCH
3	13030017	CLEVIS
4	13030064	13/15 ADJUSTABLE CLEVIS
5	13030065	15 SWING ADJUSTABLE TONGUE
6	13040011	PTO GUARD SWING
7	13090019	SWING PTO CRADLE
8	15020040	BT HOPPER SECTION 10' WITH SD BKTS
9	15040009	COUPLING GUARD
10	15041038	SHAFT GUARD(FL-208)
11	15090067	GEARBOX MOUNT PLATFORM
12	15090071	SWING GEARBOX SIDE MT (SD)
13	15090072	SWING GEARBOX SIDE MT (GBOX)
14	15591000	GBOX 90 1:1 CW/CW 1-1/2 4190 W/OIL
15	15591002	GBOX 90 1:1 CW/CCW 1-1/2 4190 W/OIL
16	15591003	GBOX 90 1.5:1SFTMT 1-1/2 5190 W/OIL
17	20040008	GUARD 6190GB FLIP-UP
18	20092097	SWING 6190 GBOX SIDE MT (LINK ARM)
19	P0118007	BOLT 1" X 4-1/2" GR8 PLATED
20	P0118131	BOLT 1/4" X 1" GR8 PLATED
21	P0118046	BOLT 3/8" X 1" GR8 PLATED
22	P0118013	BOLT 1/2"X1 1/2" GR.8 PLATED
23	P0118016	BOLT 1/2" X 2" GR8 PLATED
24	P0134026	LOCKNUT-NYLON-3/8" GRADE 8
25	P0134008	LOCKNUT-NYLON-1/2"
26	P0134030	LOCKNUT-NYLON-1" GRADE 8
27	P0151006	FLAT WASHER 1/4"PLATED USS
28	P0151009	FLAT WASHER 3/8"PLATED USS
29	P0151029	FLAT WASHER 1/2"PLATED USS
30	P0152004	LOCK WASHER 1/4"PLATED
31	P0152008	LOCK WASHER 1/2"PLATED
32	P0162001	HITCH PIN 1/2" X 3" PLATED
33	P0162003	HITCH PIN 1" X 3-1/2" PLATED
34	P0163001	HAIR PIN 3/16" X 3-1/4"
35	P0167002	SPRING PIN 3/8" X 2"
36	P0311003	CHAIN FOR DRIVE(80-2RX12+CL)
37	P0338122	SPROCKET-H80B12 X 1-1/2
38	P0381003	CV SHAFT-14E W/1-1/2"IMP.END
39	P0381028	PTO SHAFT-1-1/2" BOTH ENDS-105"-35
40	P0391002	KEY 3/8" X 2" LONG
41	P1210022	RECESSED HEAD BUTTON PLUG 1-1/2"
42	P1210033	501 SHAFT GUARD PLUG
43	15030015	15 SERIES HITCH



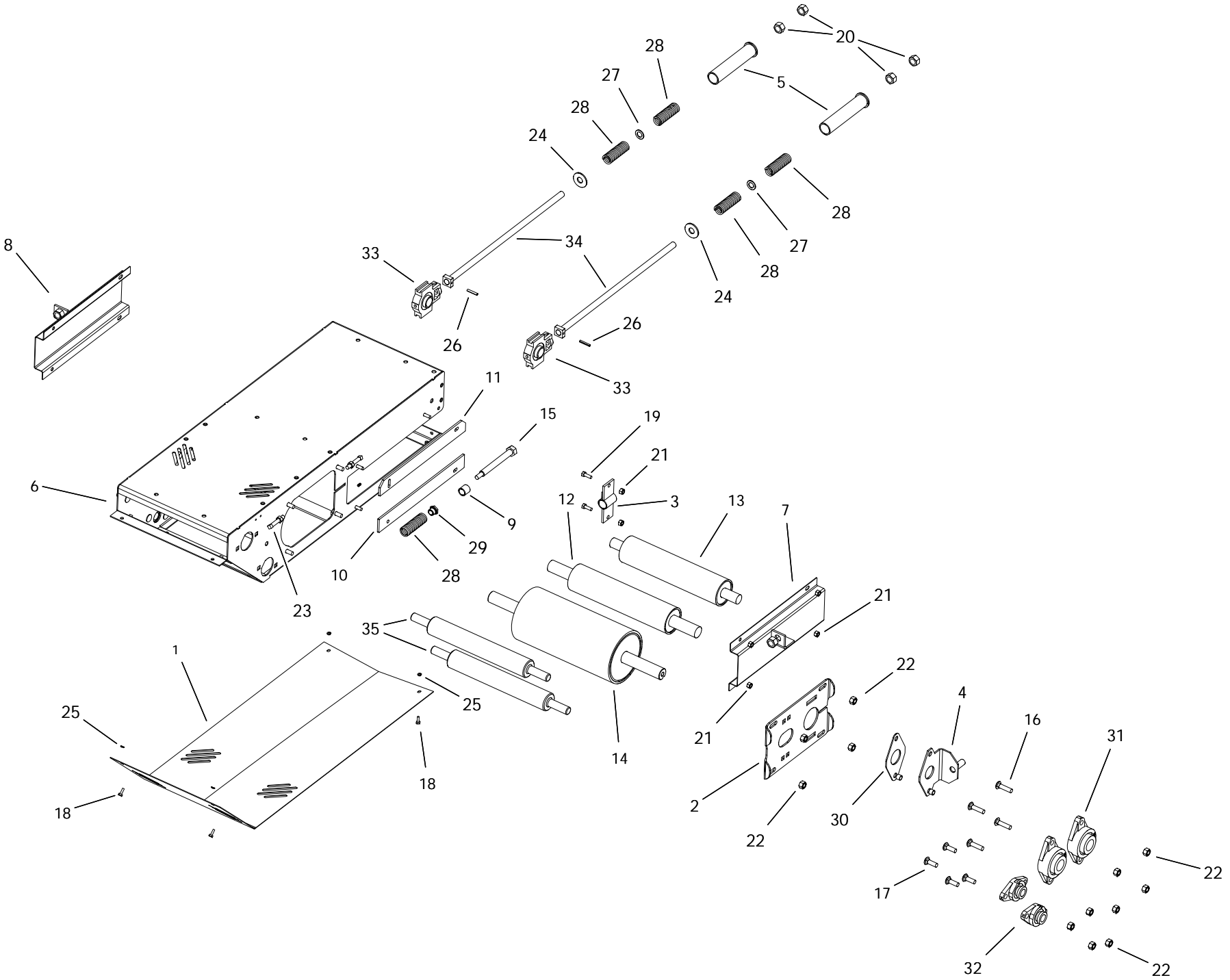
1575 SD-15507511

ITEM	PART NO.	DESCRIPTION
1	P1211501	HOOD-ROUND 15 SERIES (KANBAN)
2	15000304P	HOPPER -COLLAPSABLE STD
3	15590020	S-DRIVE ASM W/PINCH
4	13030016	Tongue
5	13030017	CLEVIS
6	13030105	1365-85 Axle (6 bolt)
7	15020040	BT HOPPER SECTION 10' WITH SD BKTS
8	15020045	SPOUT SECTION 10' W/CABLE RTRN BKT
9	15020051	BOTTOM TUBE WITH ANCHORS
10	15020052	SUSPENSION BRACKET TUBE
11	15020054	UPPER CENTER TUBE 10'
12	15031001	65/75 TRANSPORT BRACE
13	15031029	65/75 LIFT ARM LEFT
14	15031030	65/75 LIFT ARM RIGHT
15	15031032	65/75 AXLE ARM
16	15031035	65/75 UPPER LIFT ARM BRACE
17	15031036	65/75 LOWER LIFT ARM BRACE
18	15031037	65/75 LADDER
19	15032030	CROSS BRACE
20	15040040	PINCH DRIVE FRONT GUARD
21	15042040	SD-HOPPER BELT GUARD
22	15042093	SPOUT BOTTOM COVER
23	15042094	HOPPER GUARD BRACKET
24	15042102	WEATHER GUARD 5' FLR - 61-1/2"
25	15042121	WEATHER GUARD 10' - 121-1/2"
26	15070009	HOPPER/SPOUT ROLLER LAGGED
27	150100811	WEATHER GUARD MOUNT BAR KIT-POLY
28	P0113004	CARRIAGE BOLT 1/2"X1-1/2"PLATED
29	P0113013	CARRIAGE BOLT 7/16"X1" PLATED
30	P0113020	CARRIAGE BOLT 5/16"X1-1/2"PLATED
31	P0118004	BOLT 1" X 3" GR8 PLATED
32	0118007	BOLT 1" X 4-1/2" GR8 PLATED
33	P0118033	BOLT 1/4" X 3/4" GR8 PLATED
34	P0115303	CAPSCREW 3/8X1-1/4FLT HD SOCKET PTD
35	P0118076	BOLT 7/16"X1" GRADE 8 PLATED
36	P0118077	BOLT 7/16"X1-1/2" GRADE 8 PLATED
37	P0131017	NUT 5/16" PLATED GRADE 8
38	P0134026	LOCKNUT-NYLON-3/8" GRADE 8
39	P0134007	LOCKNUT-NYLON-7/16"
40	P0134008	LOCKNUT-NYLON-1/2"
41	P0134029	LOCKNUT-NYLON-3/4" GRADE 8
42	P0134030	LOCKNUT-NYLON-1" GRADE 8
43	P0141002	TEK SCREW 1/4"X1"
44	P0145002	SET SCREW-7/16"X2-1/2"SQ.HD.
45	P0151006	FLAT WASHER 1/4"PLATED USS
46	P0151031	FLAT WASHER 1"PLATED USS



1575 SD-15507511

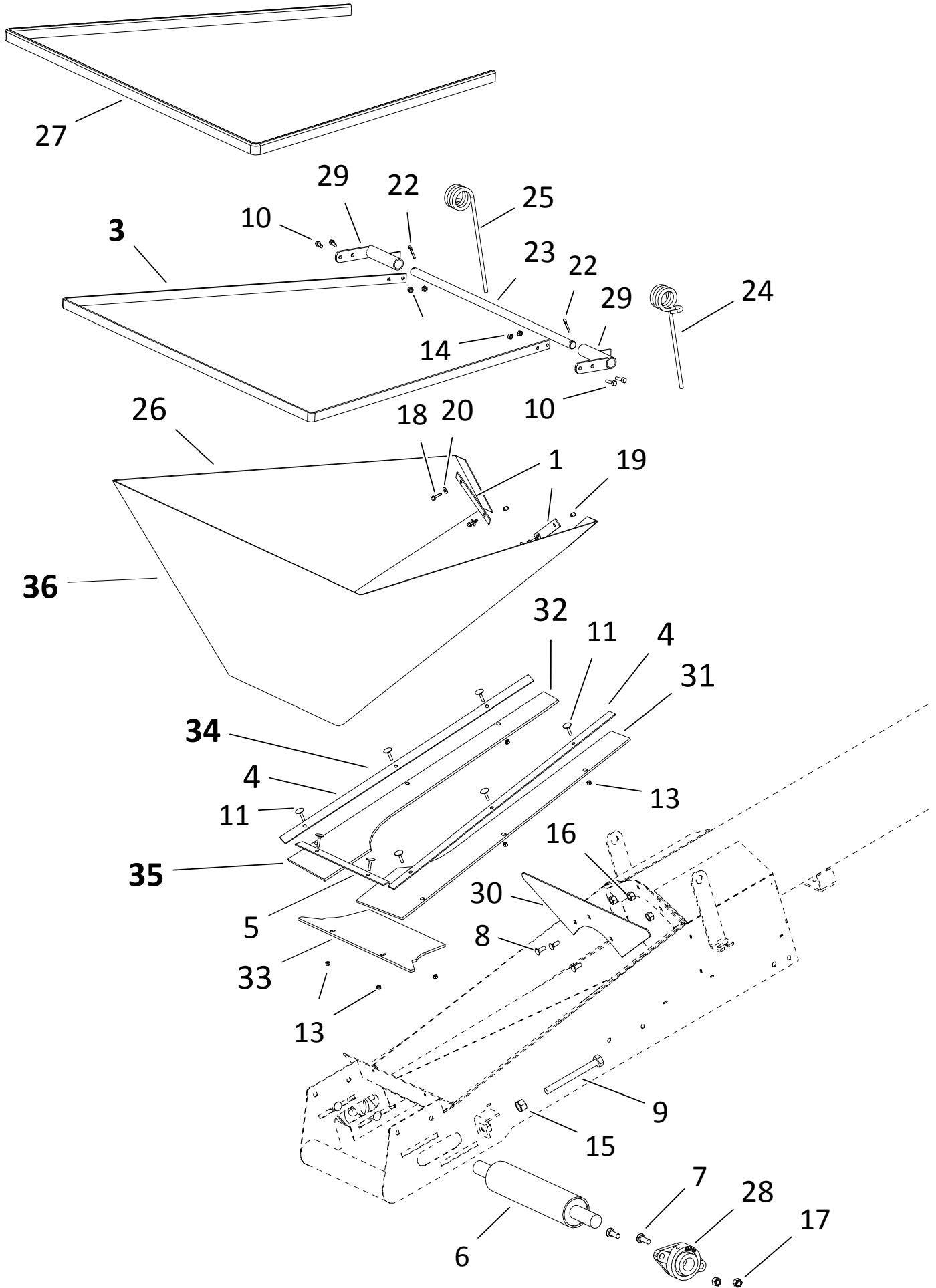
ITEM	PART NO.	DESCRIPTION
47	P0152004	LOCK WASHER 1/4" PLATED
48	P0152010	LOCK WASHER 5/16" PLATED
49	P0162001	HITCH PIN 1/2" X 3" PLATED
52	P0183004	U-BOLT 3" X 3" -PLATED
53	P0183005	U-BOLT 5"X2" (3/4") PTD
54	P0615307	TIRE ASSEMBLY-15"X6"X6BOLT
55	P0712109	CABLE CLAMP-3/8"
56	P0814030	HYD CYL-4X30
57	P1010001	UNI-MOUNT PLATE CAST
58	P1012009	JACK-7000LB SQ.TUBE 25" EXT
59	P1021006	ROLLER HEX 15-7/8"
60	P1210030	BELT GUIDE BLOCK
61	P1711001	FLANGE UNIT-1-1/2"-SAFL208-24
62	P2515002	FRAME BUSHING
63	15030015	15 SERIES HITCH
64	15010103	HIGH CABLE BRIDGE
65	15570751	1575 155'
66	P0183021	3/8" EYE BOLT ASM
67	P07111111	CABLE-3/8" (112')
68	P1243001	CABLE TIE 14" 120 LB
69	P2227989	MANUAL HOLDER AND LID



S-DRIVE (15590020)

ITEM	PART NO.	DESCRIPTION
1	15040001	PINCH SD BOTTOM GUARD
2	15060061	SD COVER PLATE 6-1/2"ROLLER
3	15060079	S-DRIVE TAKEUP BRACKET
4	15060082	PINCH TIGHTENER PLATE
5	15060504	PRETENSIONER 1550
6	15061045	S-DRIVE PINCH
7	15061046	SIDE GUARD LH
8	15061047	SIDE GUARD RH
9	15062010	PINCH PIPE
10	15062179	S-DRIVE SLIDER BOLT PLATE - BOTTOM
11	15062180	S-DRIVE SLIDER BOLT PLATE - TOP
12	15070019	3-1/2"TAKE-UP (PINCH)
13	15070020	3-1/2"TAKE-UP 19.5"SHAFT
14	15070030	DRIVE ROLLER-6-1/2" W/EXT SHAFT
15	P0113000	SPRING TENSION BOLT
16	P0113001	CARRIAGE BOLT 1/2"X2" PLATED
17	P0113004	CARRIAGE BOLT 1/2"X1-1/2"PLATED
18	P0118033	BOLT 1/4" X 3/4" GR8 PLATED
19	P0118046	BOLT 3/8" X 1" GR8 PLATED
20	P0131019	NUT 3/4" PLATED GRADE 8
21	P0134026	LOCKNUT-NYLON-3/8" GRADE 8
22	P0134008	LOCKNUT-NYLON-1/2"
23	P0145002	SET SCREW-7/16"X2-1/2"SQ.HD.
24	P0151015	FLAT WASHER 3/4"PLATED USS
25	P0152004	LOCK WASHER 1/4"PLATED
26	P0167001	SPRING PIN 1/4" X 1-1/2"
27	P0351015	MACHINERY BUSH 3/4"X1-1/4"-14G PTD.
28	P0511008	SPRING-LD-1300 SERIES
29	P0820129	BUSHING BRASS FLANGED
30	P1210102	BELT TIGHTENER SLIDER PLATE FL208
31	P1711001	FLANGE UNIT-1-1/2"-SAFL208-24
32	P1711004	FLANGE UNIT-1"-SAFL205-16
33	P1721001	TAKE-UP UNIT-1-1/4"-T206-20
34	P2515006	15 S-DRIVE TIGHTENER BOLT
35	P20315001	S-DRIVE RETURN-1" ROLLER

HOPPER (15000304P)

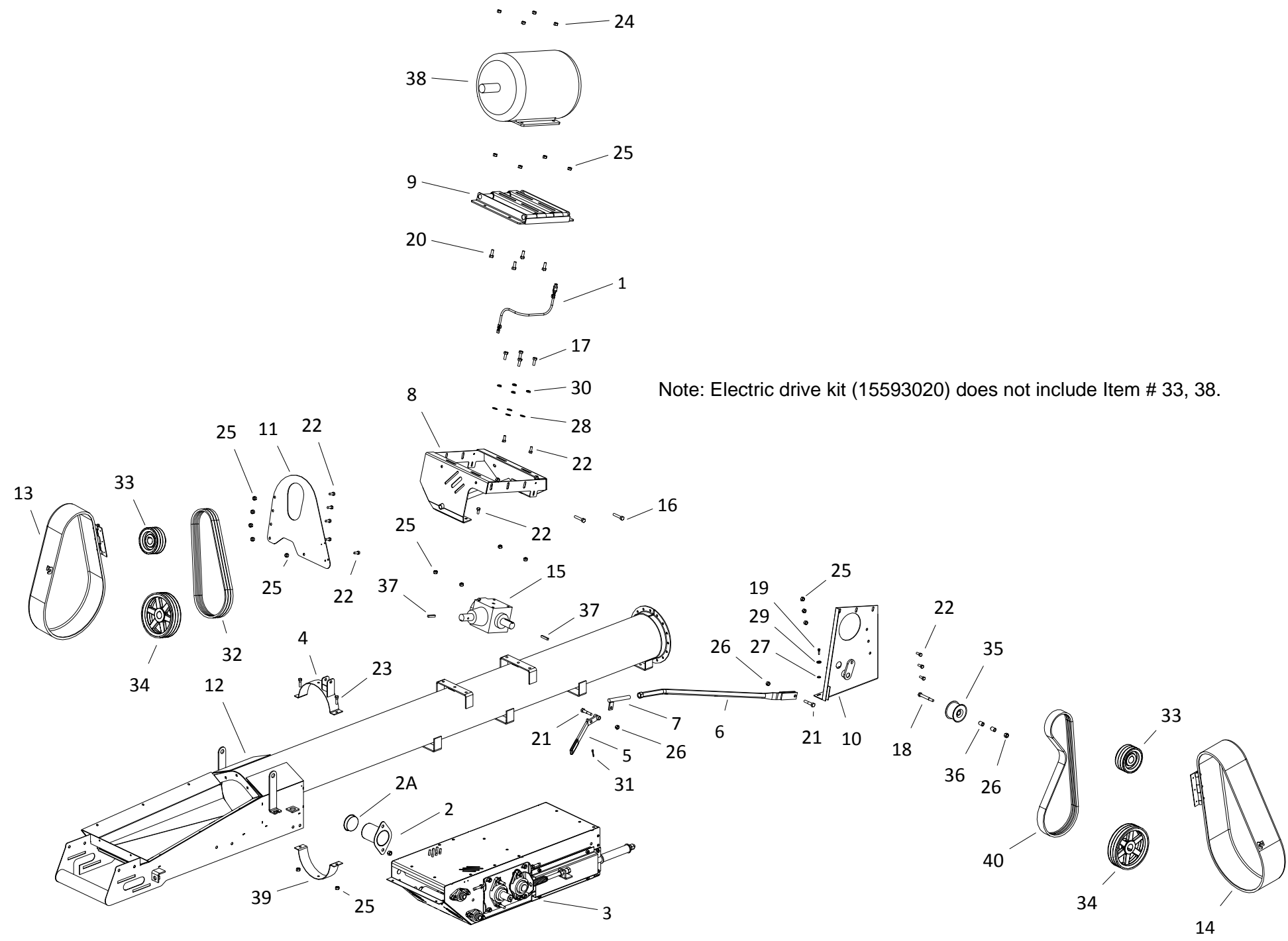


HOPPER (15000304P)

ITEM	PART NO.	DESCRIPTION
1	13052001	LOWER CLOTH FRAME STD BACK
3	15052004	UPPER CLOTH FRAME STD
4	15052101	LOWER CLOTH FRAME STD SIDE
5	15052102	LOWER CLOTH FRAME STD FRONT
6	15070009	HOPPER/SPOUT ROLLER LAGGED
7	P0113004	CARRIAGE BOLT 1/2"X1-1/2"PLATED
8	P0113015	CARRIAGE BOLT 3/8"X1" PLATED
9	P0114007	TAP BOLT 3/4 X 7 PLATED
10	P0118061	BOLT 5/16" X 1" GR8 PLATED
11	P0116001	ELEVATOR BOLT 1/4"X1-1/4"
13	P0131016	NUT 1/4" PLATED GRADE 8
14	P0131017	NUT 5/16" PLATED GRADE 8
15	P0131019	NUT 3/4" PLATED GRADE 8
16	P0134026	LOCKNUT-NYLON-3/8" GRADE 8
17	P0134008	LOCKNUT-NYLON-1/2"
18	P0141002	TEK SCREW 1/4"X1"
19	P0145001	VINYL SCREW CAP
20	P0151006	FLAT WASHER 1/4"PLATED USS
22	P0161003	COTTER PIN 3/16"X1-1/2"PLATED
23	P0162007	HOPPER PIVOT SHAFT-13/15
24	P0521001	HOPPER SPRING-L
25	P0521002	HOPPER SPRING-R
26	P1621007	HOPPER CANVAS-15 CONV.
27	P1641015	TRIM LOCK
28	P1711001	FLANGE UNIT-1-1/2"-SAFL208-24
29	P2515017	PIVOT SHAFT BRACKET
30	P11150047	HOPPER SHIELD
31	P19159000	HOPPER LEFT FLASHING STD
32	P19159001	HOPPER RIGHT FLASHING STD
33	P19159002	HOPPER FRONT FLASHING STD
34	15000314	HOPPER -LINER KIT STD
35	15000306P	HOPPER -FLASHING ONLY STD
36	15000304P	HOPPER -COLLAPSABLE STD

1575 ELECTRIC DRIVE KIT (15593020)

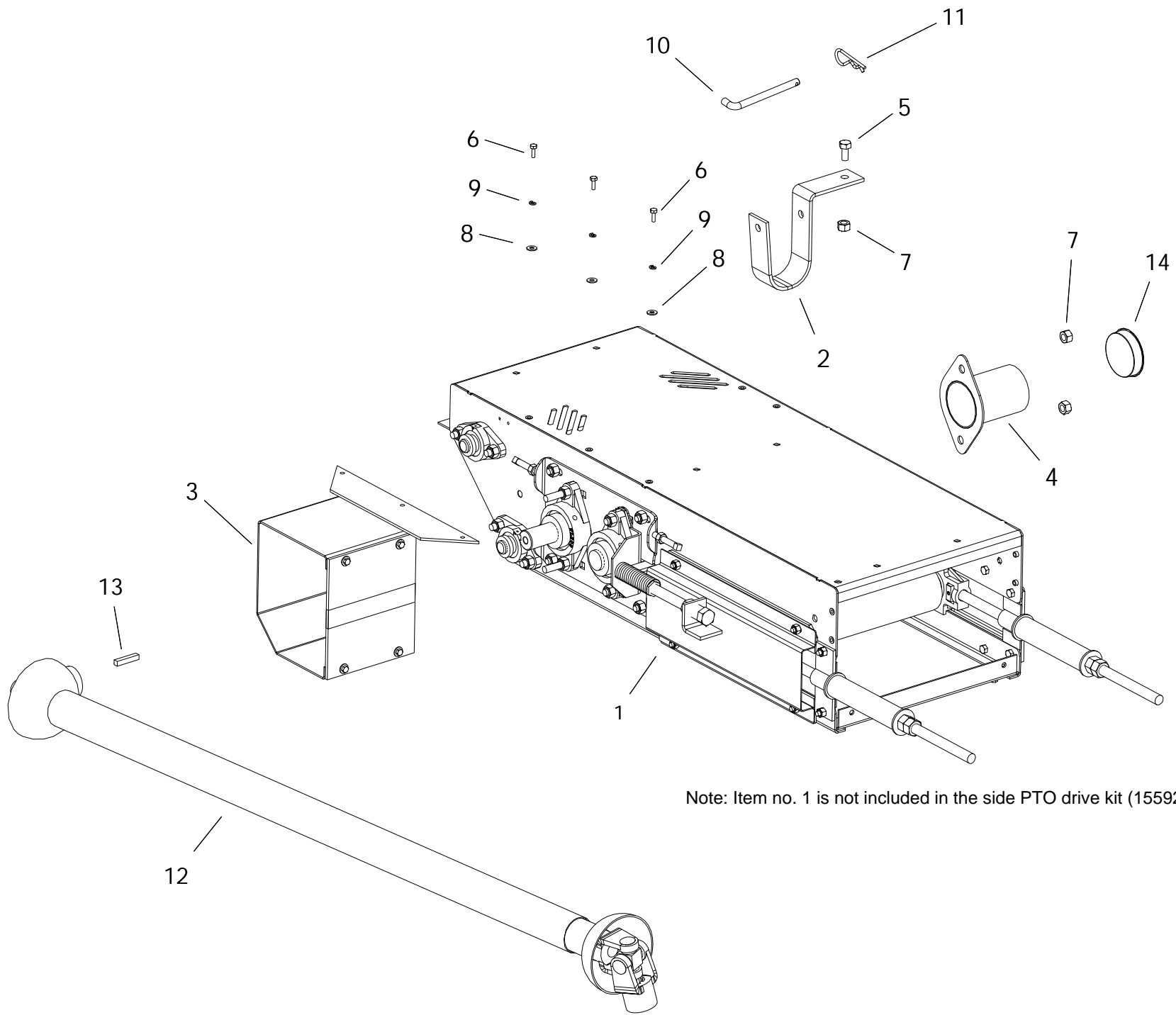
144



1575 ELECTRIC DRIVE KIT (15593020)

ITEM	PART NO.	DESCRIPTION
1	01010003	BREATHER DIRECT DRIVE
2	24041038	SHAFT GUARD(FL-210)
2A	P1210033	501 SHAFT GUARD PLUG
3	15590020	S-DRIVE ASM W/PINCH
4	13010048	MOTOR MT OVERCENTER ANCHOR BKT
5	13010054	MOTOR MT OVERCENTER HANDLE
6	13060068	MOTOR MT OVERCENTER PUSHROD
7	13060074	OVERCENTER ADJUSTER
8	13060102	MOTOR MOUNT
9	13060103	SLIDER MOUNT
10	13060105	MOTOR MOUNT BACK PLATE
11	13060107	ENGINE GUARD BACK
12	15020040	BT HOPPER SECTION 10' WITH SD BKTS
13	15040055	PINCH GUARD SMALL ASSEMBLED
14	15040056	PINCH GUARD MED ASSEMBLED
15	15591001	GBOX 90 2:1 CW/CW 1-1/2 4190 W/OIL
16	P0114005	TAP BOLT 1/2 X 2-1/2 GR.8 PLATED
17	P0115020	BOLT 1/2" X 1-1/4" GR5 PLATED
18	P0118130	BOLT 1/2" X 4" GR8 PLATED
19	P0118131	BOLT 1/4" X 1" GR8 PLATED
20	P0118061	BOLT 5/16" X 1" GR8 PLATED
21	P0118016	BOLT 1/2" X 2" GR8 PLATED
22	P0118076	BOLT 7/16"X1" GRADE 8 PLATED
23	P0118077	BOLT 7/16"X1-1/2" GRADE 8 PLATED
24	P0134027	LOCKNUT-NYLON-5/16" GRADE 8
25	P0134007	LOCKNUT-NYLON-7/16"
26	P0134008	LOCKNUT-NYLON-1/2"
27	P0151006	FLAT WASHER 1/4"PLATED USS
28	P0151029	FLAT WASHER 1/2"PLATED USS
29	P0152004	LOCK WASHER 1/4"PLATED
30	P0152008	LOCK WASHER 1/2"PLATED
31	P0161003	COTTER PIN 3/16"X1-1/2"PLATED
32	P0321052	BELT B52
33	P0328050	PULLEY-TRPL-6" W/1-1/2"BORE
34	P0328079	PULLEY-TRPL-10" W/1-1/2"BORE
35	P0328910	IDLER-FLAT-4"TRPL 2-7/16"WIDE
36	P0351019	BUSHING 3/4"ODX1/2"IDX1"BRONZE
37	P0391002	KEY 3/8" X 2" LONG
38	P0931005	MOTOR 10HP 3PH 230/460V 1740RPM
39	P2219801P	U-CLAMP HANGER-10"X2-1/2"-BLACK
40	P03210652	BELT 3B65 BANDED

SIDE P.T.O. DRIVE KIT 15 SERIES (15592200)

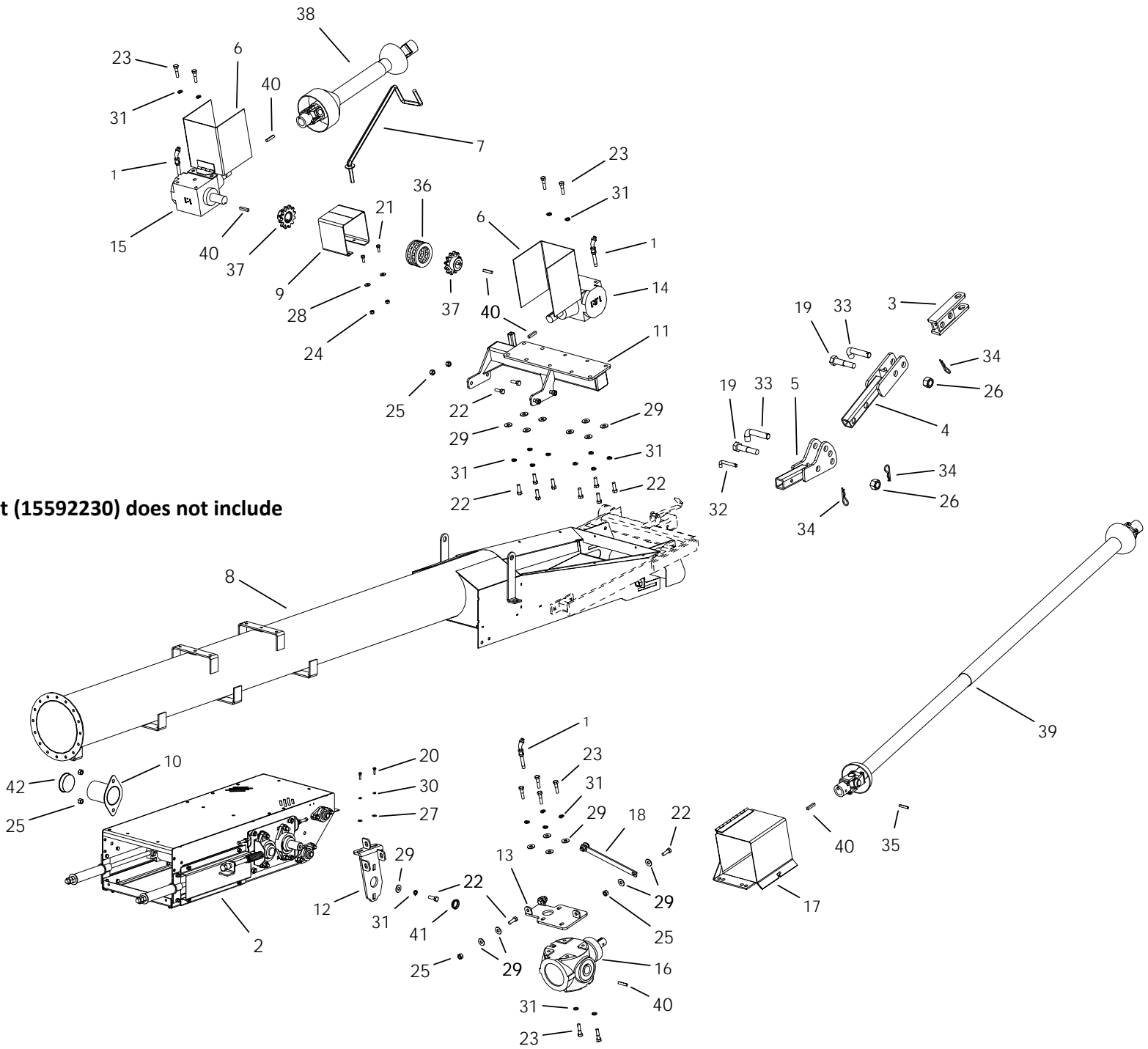


Note: Item no. 1 is not included in the side PTO drive kit (15592200)

SIDE P.T.O. DRIVE KIT 15 SERIES (15592200)

ITEM	PART NO.	DESCRIPTION
1	15590020	S-DRIVE ASM W/PINCH
2	13042018	PTO CRADLE
3	15040002	PTO GUARD
4	15041038	SHAFT GUARD(FL-208)
5	P0118012	BOLT 1/2" X 1" GR8 PLATED
6	P0118033	BOLT 1/4" X 3/4" GR8 PLATED
7	P0134008	LOCKNUT-NYLON-1/2"
8	P0151006	FLAT WASHER 1/4"PLATED USS
9	P0152004	LOCK WASHER 1/4"PLATED
10	P0162004	HITCH PIN 1/2" X 5" PLATED
11	P0163001	HAIR PIN 3/16" X 3-1/4"
12	P0381014	PTO SHAFT 1-1/2"X75"
13	P0391002	KEY 3/8" X 2" LONG
14	P1210033	501 SHAFT GUARD PLUG

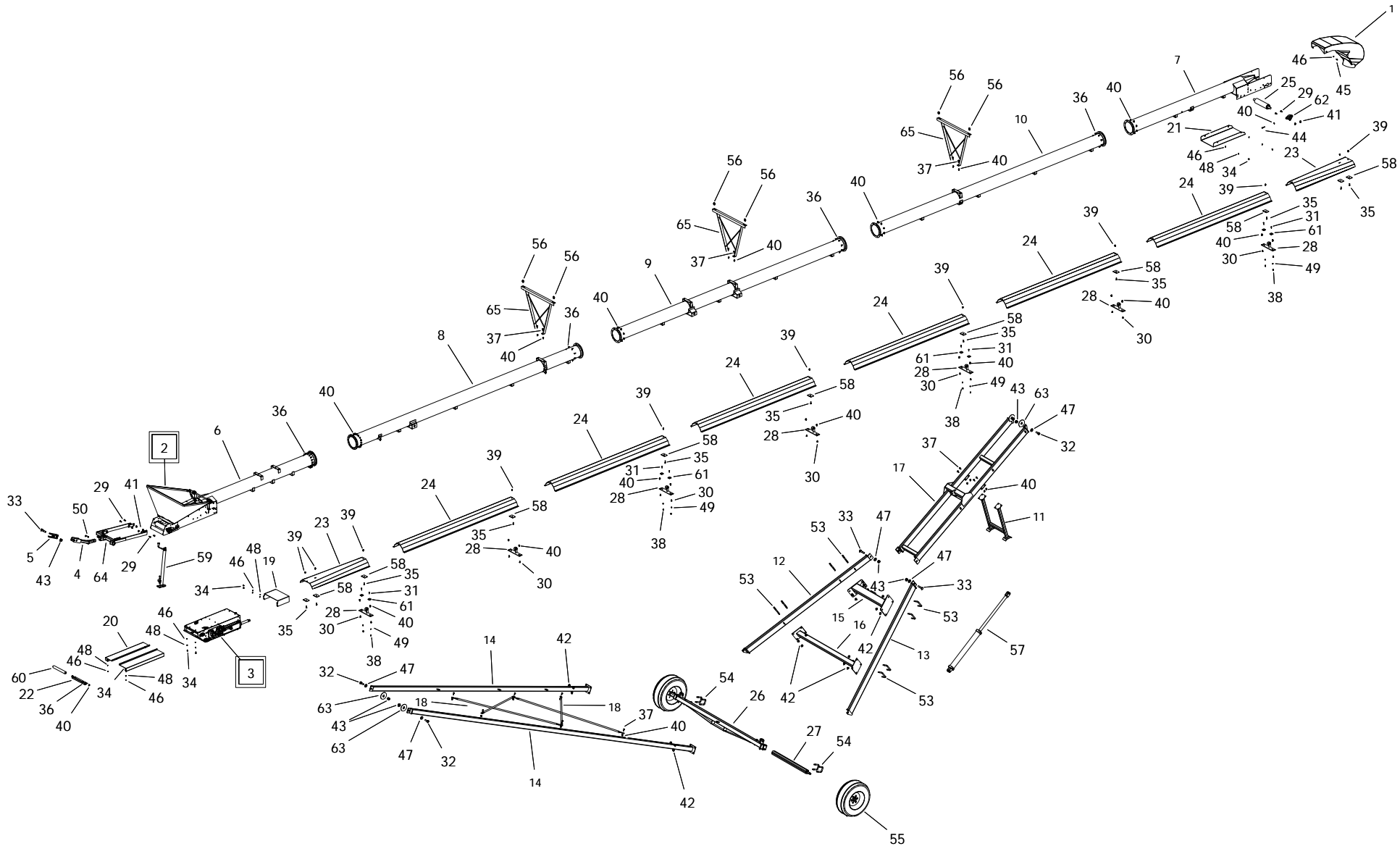
FRONT DRIVE PTO KIT 15 SERIES (15592230)



Note: Front PTO Kit (15592230) does not include item # 2, 8

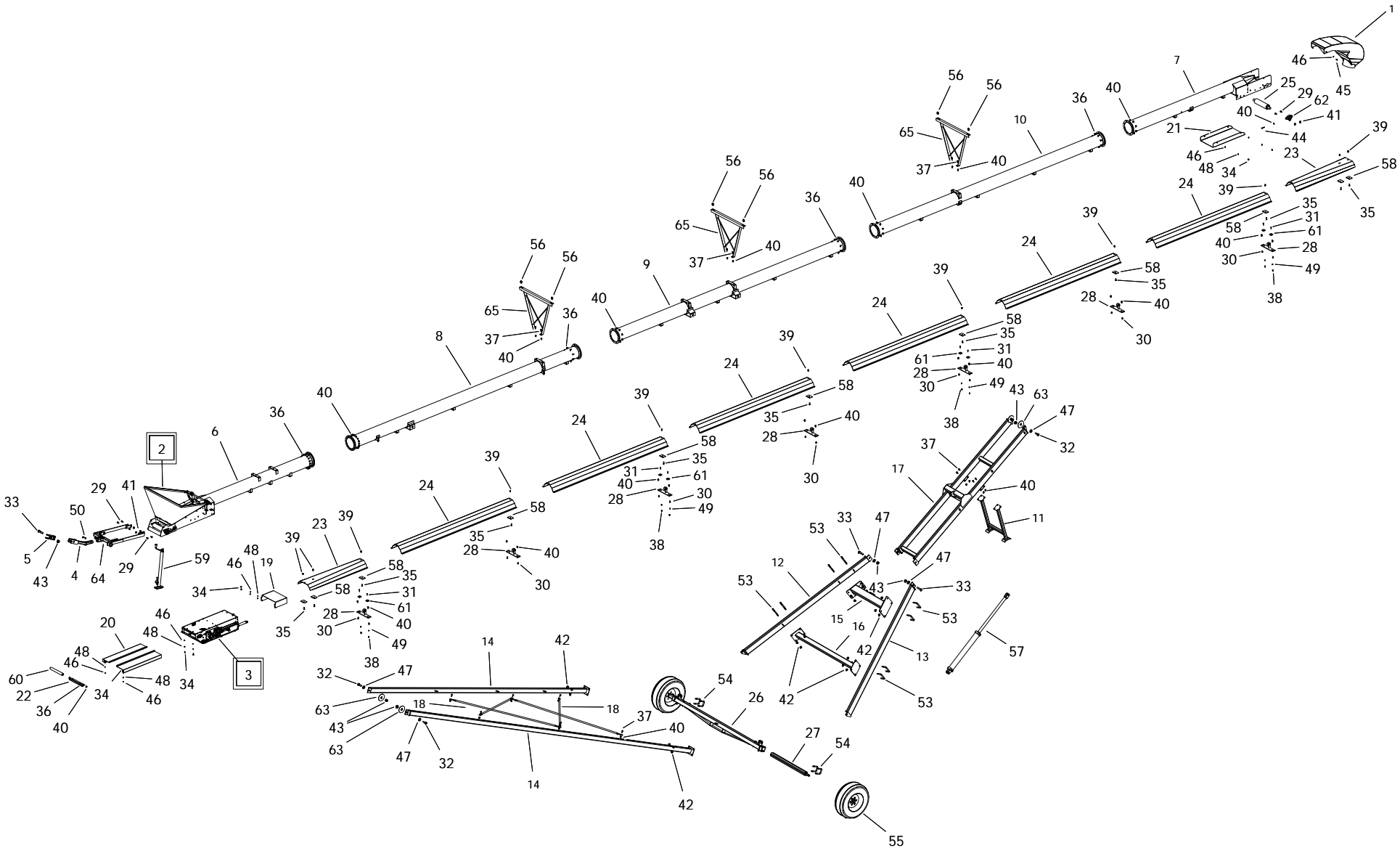
FRONT DRIVE PTO KIT 15 SERIES (15592230)

ITEM	PART NO.	DESCRIPTION
1	01010002	BREATHER -SWING AWAY
2	15590020	S-DRIVE ASM W/PINCH
3	13030017	CLEVIS
4	13030064	13/15 ADJUSTABLE CLEVIS
5	13030065	15 SWING ADJUSTABLE TONGUE
6	13040011	PTO GUARD SWING
7	13090019	SWING PTO CRADLE
8	15020040	BT HOPPER SECTION 10' WITH SD BKTS
9	15040009	COUPLING GUARD
10	15041038	SHAFT GUARD(FL-208)
11	15090067	GEARBOX MOUNT PLATFORM
12	15090071	SWING GEARBOX SIDE MT (SD)
13	15090072	SWING GEARBOX SIDE MT (GBOX)
14	15591000	GBOX 90 1:1 CW/CW 1-1/2 4190 W/OIL
15	15591002	GBOX 90 1:1 CW/CCW 1-1/2 4190 W/OIL
16	15591003	GBOX 90 1.5:1SFTMT 1-1/2 5190 W/OIL
17	20040008	GUARD 6190GB FLIP-UP
18	20092097	SWING 6190 GBOX SIDE MT (LINK ARM)
19	0118007	BOLT 1" X 4-1/2" GR8 PLATED
20	P0118131	BOLT 1/4" X 1" GR8 PLATED
21	P0118046	BOLT 3/8" X 1" GR8 PLATED
22	P0118013	BOLT 1/2"X1 1/2" GR.8 PLATED
23	P0118016	BOLT 1/2" X 2" GR8 PLATED
24	P0134026	LOCKNUT-NYLON-3/8" GRADE 8
25	P0134008	LOCKNUT-NYLON-1/2"
26	P0134030	LOCKNUT-NYLON-1" GRADE 8
27	P0151006	FLAT WASHER 1/4"PLATED USS
28	P0151009	FLAT WASHER 3/8"PLATED USS
29	P0151029	FLAT WASHER 1/2"PLATED USS
30	P0152004	LOCK WASHER 1/4"PLATED
31	P0152008	LOCK WASHER 1/2"PLATED
32	P0162001	HITCH PIN 1/2" X 3" PLATED
33	P0162003	HITCH PIN 1" X 3-1/2" PLATED
34	P0163001	HAIR PIN 3/16" X 3-1/4"
35	P0167002	SPRING PIN 3/8" X 2"
36	P0311003	CHAIN FOR DRIVE(80-2RX12+CL)
37	P0338122	SPROCKET-H80B12 X 1-1/2
38	P0381003	CV SHAFT-14E W/1-1/2"IMP.END
39	P0381028	PTO SHAFT-1-1/2" BOTH ENDS-105"-35
40	P0391002	KEY 3/8" X 2" LONG
41	P1210022	RECESSED HEAD BUTTON PLUG 1-1/2"
42	P1210033	501 SHAFT GUARD PLUG
43	15030015	15 SERIES HITCH



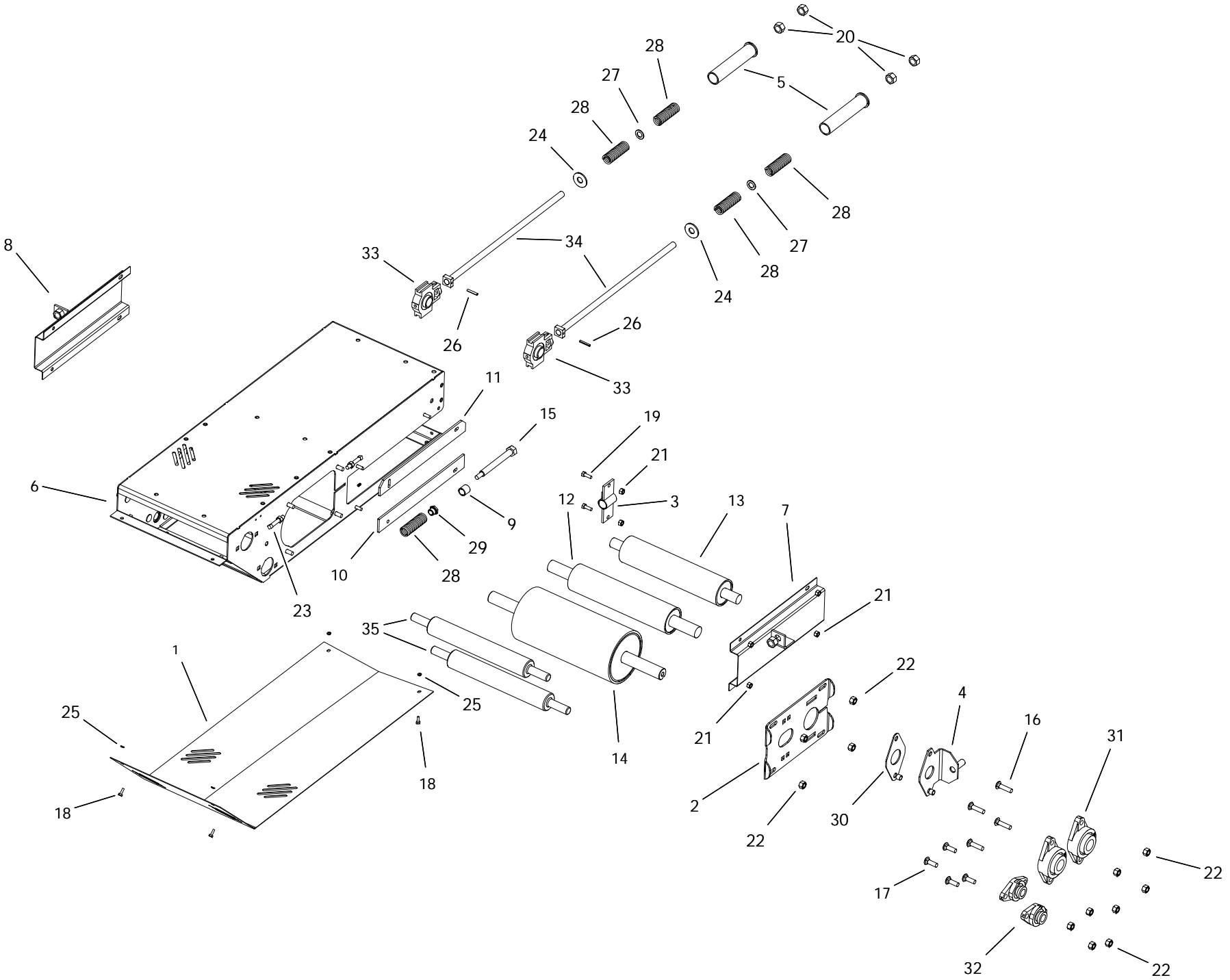
1585 SD-15508511

ITEM	PART NO.	DESCRIPTION
1	P1211501	HOOD-ROUND 15 SERIES (KANBAN)
2	15000304P	HOPPER -COLLAPSABLE STD
3	15590020	S-DRIVE ASM W/PINCH
4	13030016	Tongue
5	13030017	CLEVIS
6	15020040	BT HOPPER SECTION 10' WITH SD BKTS
7	15020045	SPOUT SECTION 10' W/CABLE RTRN BKT
8	15020051	BOTTOM TUBE WITH ANCHORS
9	15020052	SUSPENSION BRACKET TUBE
10	15020053	UPPER CENTER 20' TUBE
11	15031038	85 TRANSPORT BRACE
12	15031039	85 LIFT ARM RIGHT
13	15031040	85 LIFT ARM LEFT
14	15031041	85 AXLE ARM
15	15031043	85 UPPER LIFT ARM BRACE
16	15031044	LOWER LIFT ARM BRACE 85
17	15031045	LADDER 85
18	15032030	CROSS BRACE
19	15040040	PINCH DRIVE FRONT GUARD
20	15042040	SD-HOPPER BELT GUARD
21	15042093	SPOUT BOTTOM COVER
22	15042094	HOPPER GUARD BRACKET
23	15042102	WEATHER GUARD 5' FLR - 61-1/2"
24	15042121	WEATHER GUARD 10' - 121-1/2"
25	15070009	HOPPER/SPOUT ROLLER LAGGED
26	20030109	AXLE EXTENDABLE 85
27	20030500	AXLE EXTENSION (WITH 6 LUGS)
28	150100811	WEATHER GUARD MOUNT BAR KIT-POLY
29	P0113004	CARRIAGE BOLT 1/2"X1-1/2"PLATED
30	P0113013	CARRIAGE BOLT 7/16"X1" PLATED
31	P0113020	CARRIAGE BOLT 5/16"X1-1/2"PLATED
32	P0118004	BOLT 1" X 3" GR8 PLATED
33	0118007	BOLT 1" X 4-1/2" GR8 PLATED
34	P0118033	BOLT 1/4" X 3/4" GR8 PLATED
35	P0115303	CAPSCREW 3/8X1-1/4FLT HD SOCKET PTD
36	P0118076	BOLT 7/16"X1" GRADE 8 PLATED
37	P0118077	BOLT 7/16"X1-1/2" GRADE 8 PLATED
38	P0131017	NUT 5/16" PLATED GRADE 8
39	P0134026	LOCKNUT-NYLON-3/8" GRADE 8
40	P0134007	LOCKNUT-NYLON-7/16"
41	P0134008	LOCKNUT-NYLON-1/2"
42	P0134029	LOCKNUT-NYLON-3/4" GRADE 8
43	P0134030	LOCKNUT-NYLON-1" GRADE 8
44	P0145002	SET SCREW-7/16"X2-1/2"SQ.HD.
45	P0141002	TEK SCREW 1/4"X1"
46	P0151006	FLAT WASHER 1/4"PLATED USS



1585 SD-15508511

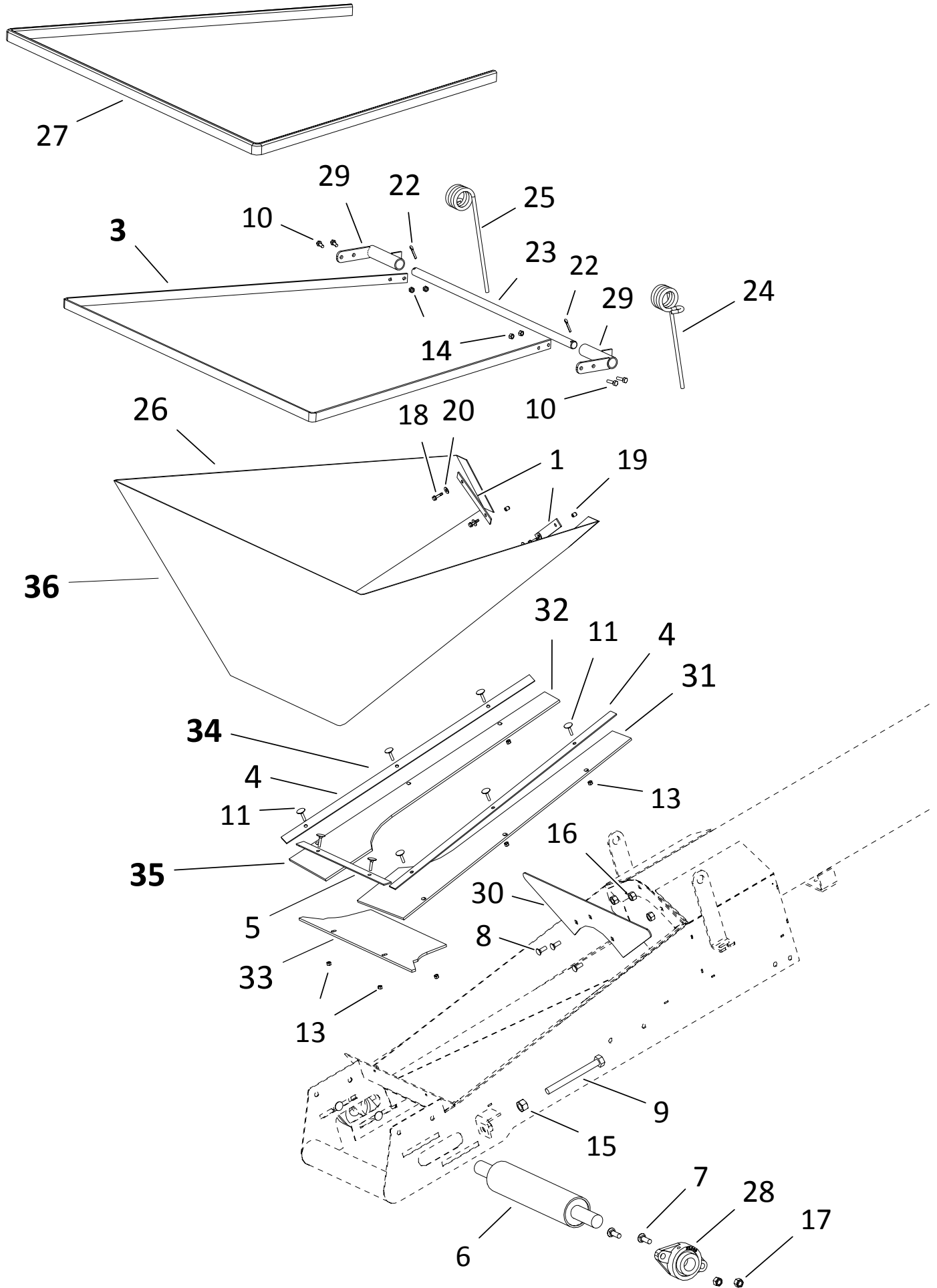
ITEM	PART NO.	DESCRIPTION
47	P0151031	FLAT WASHER 1"PLATED USS
48	P0152004	LOCK WASHER 1/4"PLATED
49	P0152010	LOCK WASHER 5/16"PLATED
50	P0162001	HITCH PIN 1/2" X 3" PLATED
53	P0183006	U-BOLT 6" X 2" -PLATED
54	P0183012	U-BOLT 3-1/2" X 3-1/2" X 3/4"PTD
55	P0615308	TIRE ASM -6BLT ST205/75R15 LRC 6PL
56	P0712109	CABLE CLAMP-3/8"
57	P0814036	HYD CYL 4 X 36
58	P1010001	UNI-MOUNT PLATE CAST
59	P1012009	JACK-7000LB SQ.TUBE 25" EXT
60	P1021006	ROLLER HEX 15-7/8"
61	P1210030	BELT GUIDE BLOCK
62	P1711001	FLANGE UNIT-1-1/2"-SAFL208-24
63	P2515002	FRAME BUSHING
64	15030015	15 SERIES HITCH
65	15010103	HIGH CABLE BRIDGE
66	15570851	1585 175'
67	P0183021	3/8" EYE BOLT ASM
68	P0711112	CABLE-3/8" (136')
69	P0711115	CABLE-3/8" (68')
70	P1243001	CABLE TIE 14" 120 LB
71	P2227989	MANUAL HOLDER AND LID



S-DRIVE (15590020)

ITEM	PART NO.	DESCRIPTION
1	15040001	PINCH SD BOTTOM GUARD
2	15060061	SD COVER PLATE 6-1/2"ROLLER
3	15060079	S-DRIVE TAKEUP BRACKET
4	15060082	PINCH TIGHTENER PLATE
5	15060504	PRETENSIONER 1550
6	15061045	S-DRIVE PINCH
7	15061046	SIDE GUARD LH
8	15061047	SIDE GUARD RH
9	15062010	PINCH PIPE
10	15062179	S-DRIVE SLIDER BOLT PLATE - BOTTOM
11	15062180	S-DRIVE SLIDER BOLT PLATE - TOP
12	15070019	3-1/2"TAKE-UP (PINCH)
13	15070020	3-1/2"TAKE-UP 19.5"SHAFT
14	15070030	DRIVE ROLLER-6-1/2" W/EXT SHAFT
15	P0113000	SPRING TENSION BOLT
16	P0113001	CARRIAGE BOLT 1/2"X2" PLATED
17	P0113004	CARRIAGE BOLT 1/2"X1-1/2"PLATED
18	P0118033	BOLT 1/4" X 3/4" GR8 PLATED
19	P0118046	BOLT 3/8" X 1" GR8 PLATED
20	P0131019	NUT 3/4" PLATED GRADE 8
21	P0134026	LOCKNUT-NYLON-3/8" GRADE 8
22	P0134008	LOCKNUT-NYLON-1/2"
23	P0145002	SET SCREW-7/16"X2-1/2"SQ.HD.
24	P0151015	FLAT WASHER 3/4"PLATED USS
25	P0152004	LOCK WASHER 1/4"PLATED
26	P0167001	SPRING PIN 1/4" X 1-1/2"
27	P0351015	MACHINERY BUSH 3/4"X1-1/4"-14G PTD.
28	P0511008	SPRING-LD-1300 SERIES
29	P0820129	BUSHING BRASS FLANGED
30	P1210102	BELT TIGHTENER SLIDER PLATE FL208
31	P1711001	FLANGE UNIT-1-1/2"-SAFL208-24
32	P1711004	FLANGE UNIT-1"-SAFL205-16
33	P1721001	TAKE-UP UNIT-1-1/4"-T206-20
34	P2515006	15 S-DRIVE TIGHTENER BOLT
35	P20315001	S-DRIVE RETURN-1" ROLLER

HOPPER (15000304P)

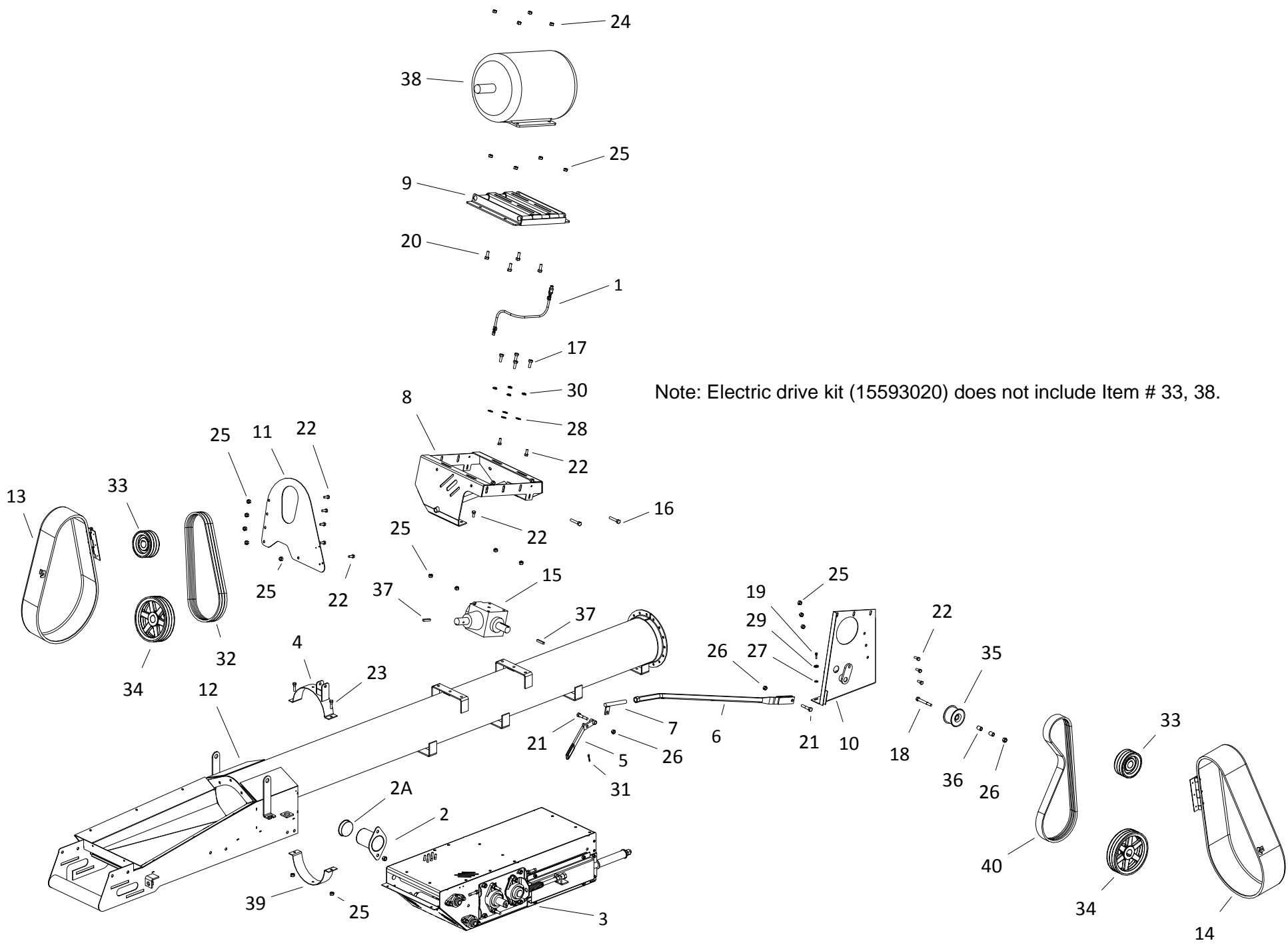


HOPPER (15000304P)

ITEM	PART NO.	DESCRIPTION
1	13052001	LOWER CLOTH FRAME STD BACK
3	15052004	UPPER CLOTH FRAME STD
4	15052101	LOWER CLOTH FRAME STD SIDE
5	15052102	LOWER CLOTH FRAME STD FRONT
6	15070009	HOPPER/SPOUT ROLLER LAGGED
7	P0113004	CARRIAGE BOLT 1/2"X1-1/2"PLATED
8	P0113015	CARRIAGE BOLT 3/8"X1" PLATED
9	P0114007	TAP BOLT 3/4 X 7 PLATED
10	P0118061	BOLT 5/16" X 1" GR8 PLATED
11	P0116001	ELEVATOR BOLT 1/4"X1-1/4"
13	P0131016	NUT 1/4" PLATED GRADE 8
14	P0131017	NUT 5/16" PLATED GRADE 8
15	P0131019	NUT 3/4" PLATED GRADE 8
16	P0134026	LOCKNUT-NYLON-3/8" GRADE 8
17	P0134008	LOCKNUT-NYLON-1/2"
18	P0141002	TEK SCREW 1/4"X1"
19	P0145001	VINYL SCREW CAP
20	P0151006	FLAT WASHER 1/4"PLATED USS
22	P0161003	COTTER PIN 3/16"X1-1/2"PLATED
23	P0162007	HOPPER PIVOT SHAFT-13/15
24	P0521001	HOPPER SPRING-L
25	P0521002	HOPPER SPRING-R
26	P1621007	HOPPER CANVAS-15 CONV.
27	P1641015	TRIM LOCK
28	P1711001	FLANGE UNIT-1-1/2"-SAFL208-24
29	P2515017	PIVOT SHAFT BRACKET
30	P11150047	HOPPER SHIELD
31	P19159000	HOPPER LEFT FLASHING STD
32	P19159001	HOPPER RIGHT FLASHING STD
33	P19159002	HOPPER FRONT FLASHING STD
34	15000314	HOPPER -LINER KIT STD
35	15000306P	HOPPER -FLASHING ONLY STD
36	15000304P	HOPPER -COLLAPSABLE STD

1585 ELECTRIC DRIVE KIT (15593020)

158

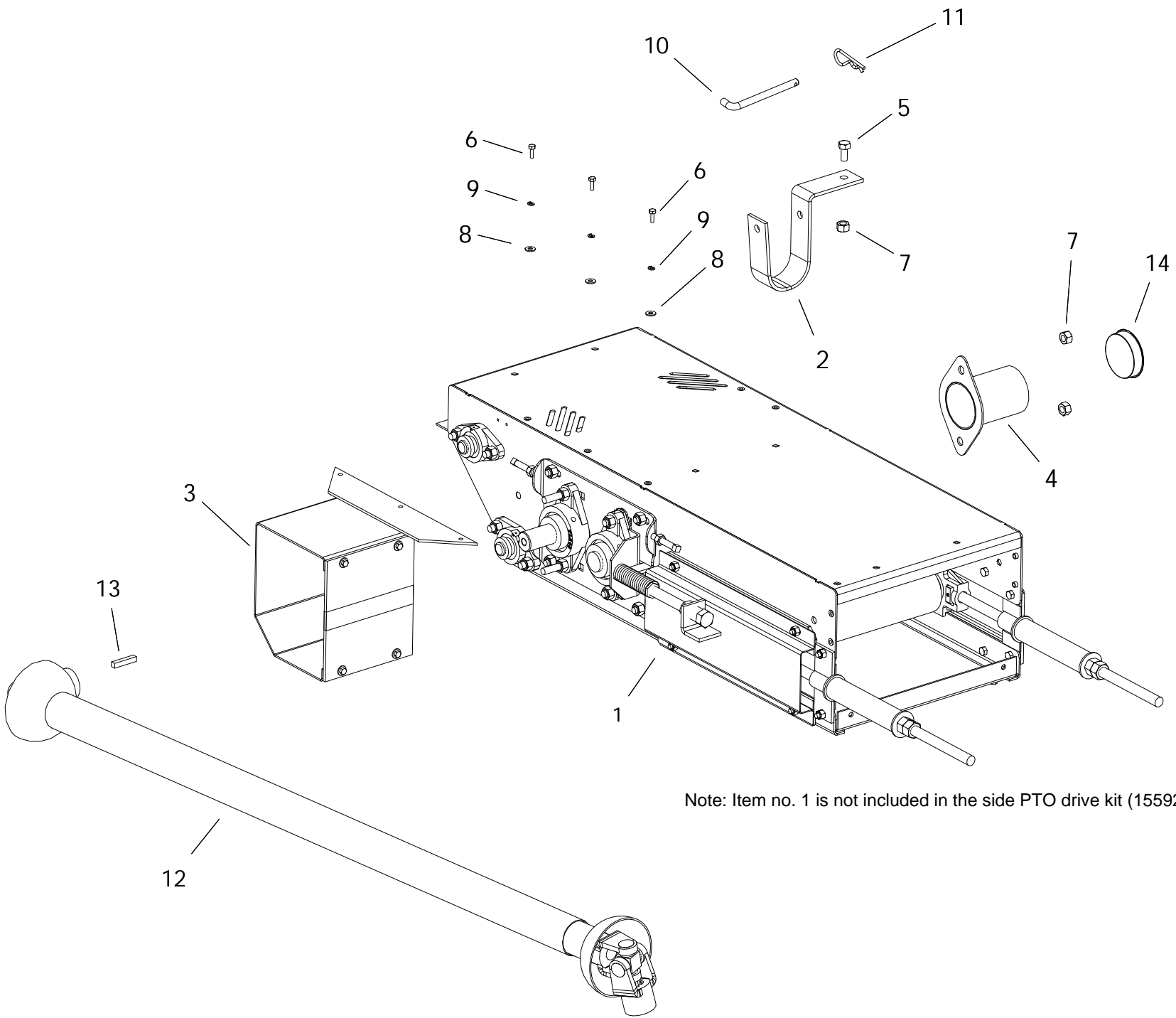


Note: Electric drive kit (15593020) does not include Item # 33, 38.

1585 ELECTRIC DRIVE KIT (15593020)

ITEM	PART NO.	DESCRIPTION
1	01010003	BREATHER DIRECT DRIVE
2	24041038	SHAFT GUARD(FL-210)
2A	P1210033	501 SHAFT GUARD PLUG
3	15590020	S-DRIVE ASM W/PINCH
4	13010048	MOTOR MT OVERCENTER ANCHOR BKT
5	13010054	MOTOR MT OVERCENTER HANDLE
6	13060068	MOTOR MT OVERCENTER PUSHROD
7	13060074	OVERCENTER ADJUSTER
8	13060102	MOTOR MOUNT
9	13060103	SLIDER MOUNT
10	13060105	MOTOR MOUNT BACK PLATE
11	13060107	ENGINE GUARD BACK
12	15020040	BT HOPPER SECTION 10' WITH SD BKTS
13	15040055	PINCH GUARD SMALL ASSEMBLED
14	15040056	PINCH GUARD MED ASSEMBLED
15	15591001	GBOX 90 2:1 CW/CW 1-1/2 4190 W/OIL
16	P0114005	TAP BOLT 1/2 X 2-1/2 GR.8 PLATED
17	P0115020	BOLT 1/2" X 1-1/4" GR5 PLATED
18	P0118130	BOLT 1/2" X 4" GR8 PLATED
19	P0118131	BOLT 1/4" X 1" GR8 PLATED
20	P0118061	BOLT 5/16" X 1" GR8 PLATED
21	P0118016	BOLT 1/2" X 2" GR8 PLATED
22	P0118076	BOLT 7/16"X1" GRADE 8 PLATED
23	P0118077	BOLT 7/16"X1-1/2" GRADE 8 PLATED
24	P0134027	LOCKNUT-NYLON-5/16" GRADE 8
25	P0134007	LOCKNUT-NYLON-7/16"
26	P0134008	LOCKNUT-NYLON-1/2"
27	P0151006	FLAT WASHER 1/4"PLATED USS
28	P0151029	FLAT WASHER 1/2"PLATED USS
29	P0152004	LOCK WASHER 1/4"PLATED
30	P0152008	LOCK WASHER 1/2"PLATED
31	P0161003	COTTER PIN 3/16"X1-1/2"PLATED
32	P0321052	BELT B52
33	P0328050	PULLEY-TRPL-6" W/1-1/2"BORE
34	P0328079	PULLEY-TRPL-10" W/1-1/2"BORE
35	P0328910	IDLER-FLAT-4"TRPL 2-7/16"WIDE
36	P0351019	BUSHING 3/4"ODX1/2"IDX1"BRONZE
37	P0391002	KEY 3/8" X 2" LONG
38	P0931005	MOTOR 10HP 3PH 230/460V 1740RPM
39	P2219801P	U-CLAMP HANGER-10"X2-1/2"-BLACK
40	P03210652	BELT 3B65 BANDED

SIDE P.T.O. DRIVE KIT 15 SERIES (15592200)

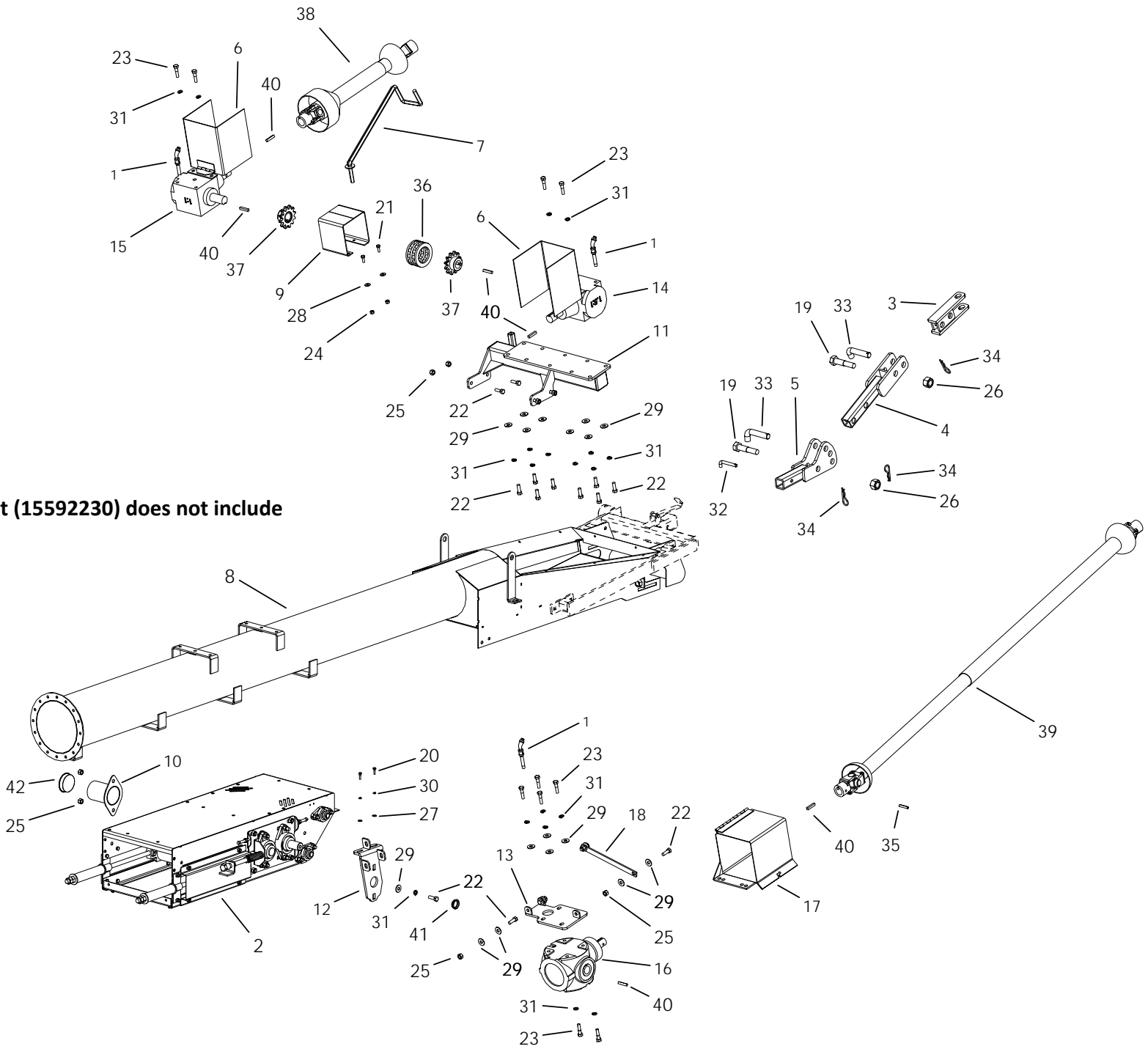


Note: Item no. 1 is not included in the side PTO drive kit (15592200)

SIDE P.T.O. DRIVE KIT 15 SERIES (15592200)

ITEM	PART NO.	DESCRIPTION
1	15590020	S-DRIVE ASM W/PINCH
2	13042018	PTO CRADLE
3	15040002	PTO GUARD
4	15041038	SHAFT GUARD(FL-208)
5	P0118012	BOLT 1/2" X 1" GR8 PLATED
6	P0118033	BOLT 1/4" X 3/4" GR8 PLATED
7	P0134008	LOCKNUT-NYLON-1/2"
8	P0151006	FLAT WASHER 1/4"PLATED USS
9	P0152004	LOCK WASHER 1/4"PLATED
10	P0162004	HITCH PIN 1/2" X 5" PLATED
11	P0163001	HAIR PIN 3/16" X 3-1/4"
12	P0381014	PTO SHAFT 1-1/2"X75"
13	P0391002	KEY 3/8" X 2" LONG
14	P1210033	501 SHAFT GUARD PLUG

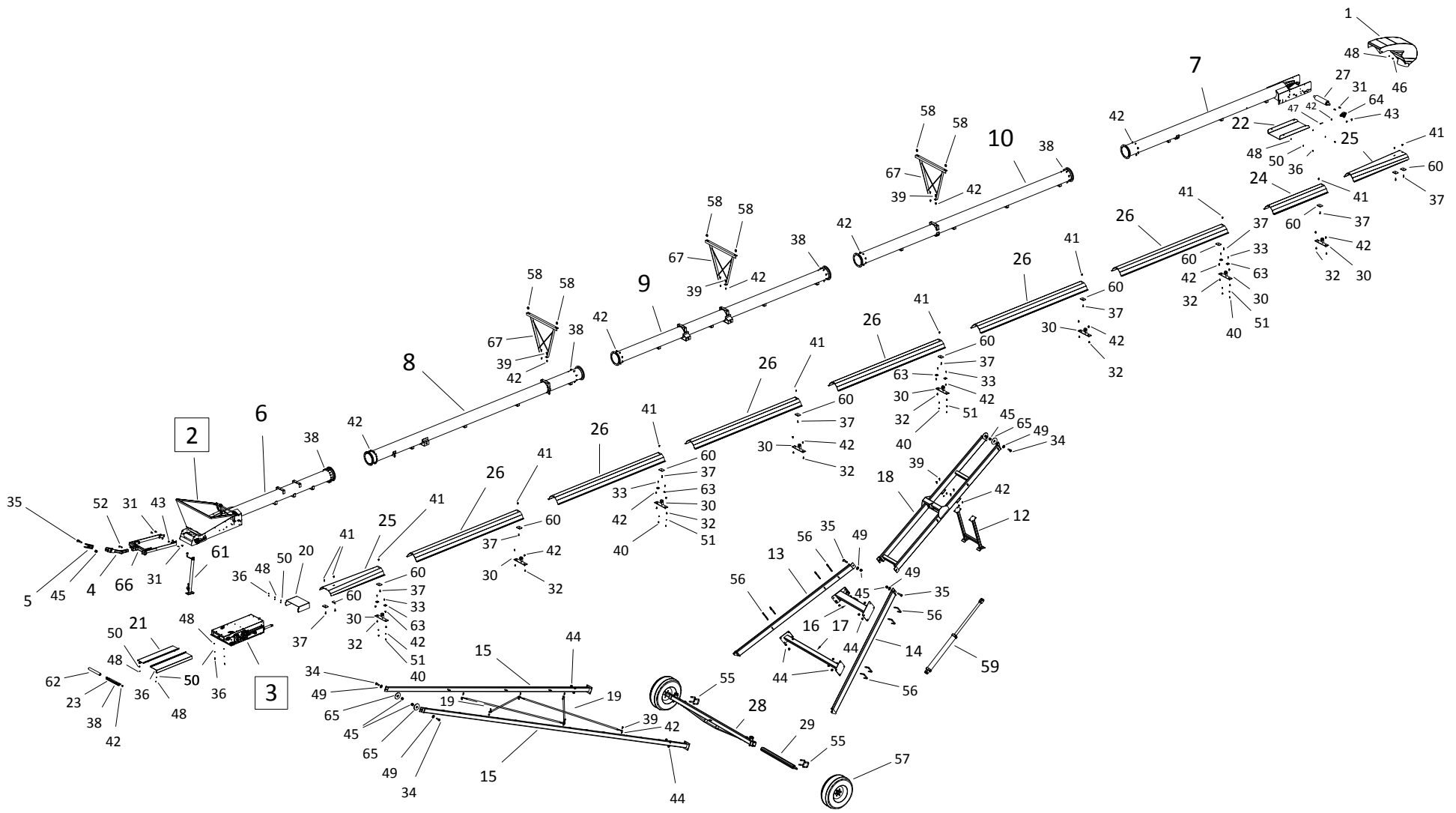
FRONT DRIVE PTO KIT 15 SERIES (15592230)



Note: Front PTO Kit (15592230) does not include item # 2, 8

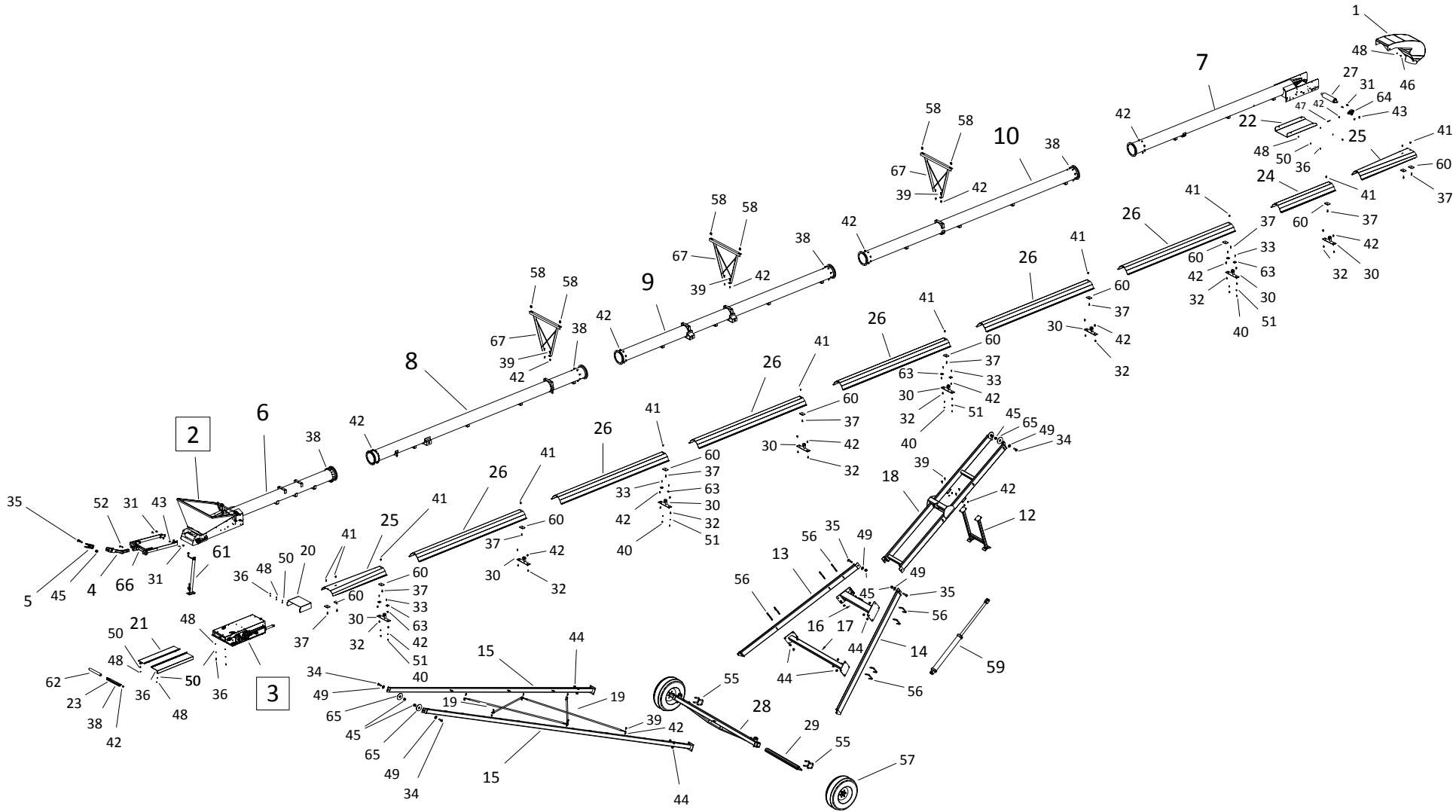
FRONT DRIVE PTO KIT 15 SERIES (15592230)

ITEM	PART NO.	DESCRIPTION
1	01010002	BREATHER -SWING AWAY
2	15590020	S-DRIVE ASM W/PINCH
3	13030017	CLEVIS
4	13030064	13/15 ADJUSTABLE CLEVIS
5	13030065	15 SWING ADJUSTABLE TONGUE
6	13040011	PTO GUARD SWING
7	13090019	SWING PTO CRADLE
8	15020040	BT HOPPER SECTION 10' WITH SD BKTS
9	15040009	COUPLING GUARD
10	15041038	SHAFT GUARD(FL-208)
11	15090067	GEARBOX MOUNT PLATFORM
12	15090071	SWING GEARBOX SIDE MT (SD)
13	15090072	SWING GEARBOX SIDE MT (GBOX)
14	15591000	GBOX 90 1:1 CW/CW 1-1/2 4190 W/OIL
15	15591002	GBOX 90 1:1 CW/CCW 1-1/2 4190 W/OIL
16	15591003	GBOX 90 1.5:1SFTMT 1-1/2 5190 W/OIL
17	20040008	GUARD 6190GB FLIP-UP
18	20092097	SWING 6190 GBOX SIDE MT (LINK ARM)
19	0118007	BOLT 1" X 4-1/2" GR8 PLATED
20	P0118131	BOLT 1/4" X 1" GR8 PLATED
21	P0118046	BOLT 3/8" X 1" GR8 PLATED
22	P0118013	BOLT 1/2"X1 1/2" GR.8 PLATED
23	P0118016	BOLT 1/2" X 2" GR8 PLATED
24	P0134026	LOCKNUT-NYLON-3/8" GRADE 8
25	P0134008	LOCKNUT-NYLON-1/2"
26	P0134030	LOCKNUT-NYLON-1" GRADE 8
27	P0151006	FLAT WASHER 1/4"PLATED USS
28	P0151009	FLAT WASHER 3/8"PLATED USS
29	P0151029	FLAT WASHER 1/2"PLATED USS
30	P0152004	LOCK WASHER 1/4"PLATED
31	P0152008	LOCK WASHER 1/2"PLATED
32	P0162001	HITCH PIN 1/2" X 3" PLATED
33	P0162003	HITCH PIN 1" X 3-1/2" PLATED
34	P0163001	HAIR PIN 3/16" X 3-1/4"
35	P0167002	SPRING PIN 3/8" X 2"
36	P0311003	CHAIN FOR DRIVE(80-2RX12+CL)
37	P0338122	SPROCKET-H80B12 X 1-1/2
38	P0381003	CV SHAFT-14E W/1-1/2"IMP.END
39	P0381028	PTO SHAFT-1-1/2" BOTH ENDS-105"-35
40	P0391002	KEY 3/8" X 2" LONG
41	P1210022	RECESSED HEAD BUTTON PLUG 1-1/2"
42	P1210033	501 SHAFT GUARD PLUG
43	15030015	15 SERIES HITCH



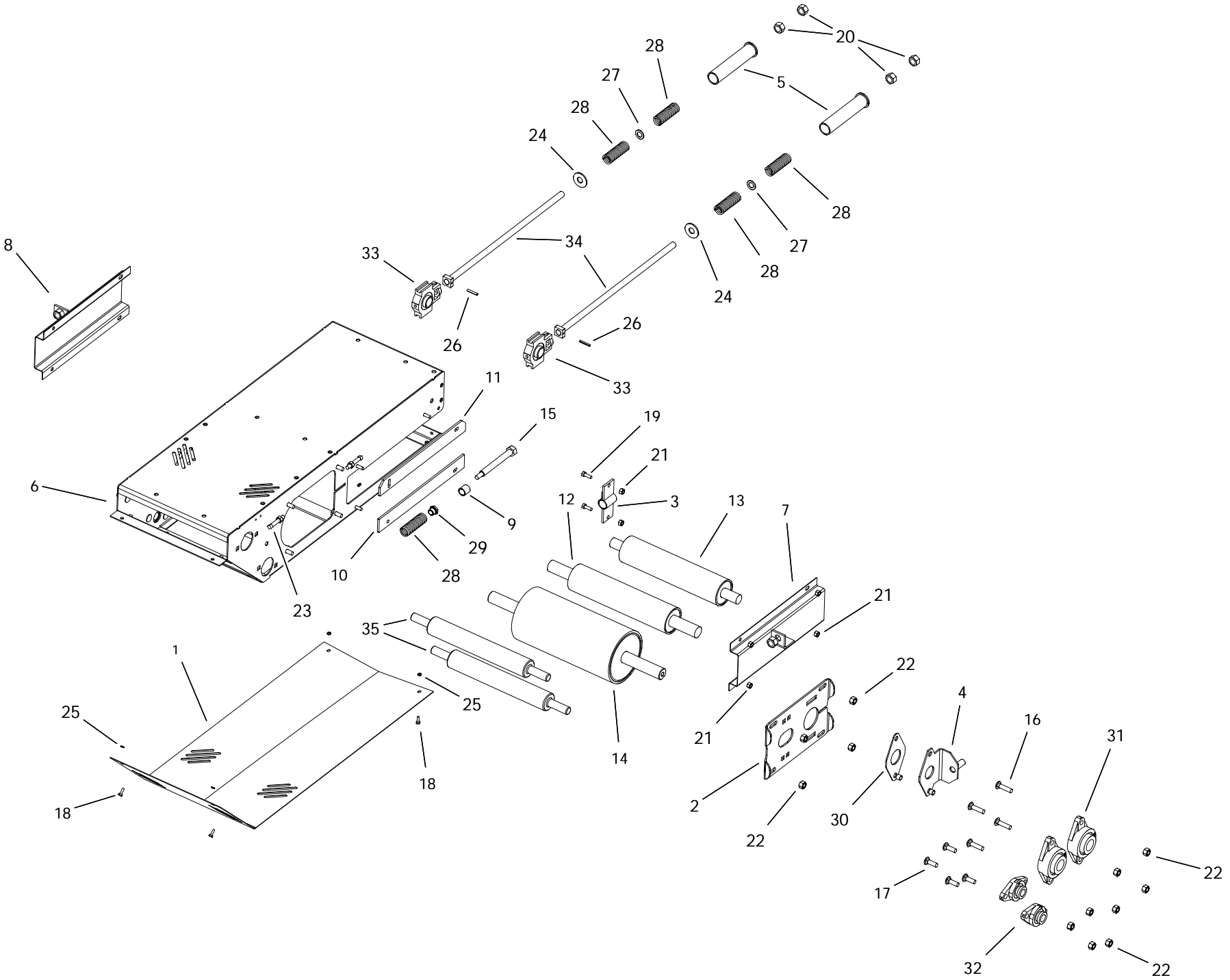
1590 SD-15509011

ITEM	PART NO.	DESCRIPTION
1	P1211501	HOOD-ROUND 15 SERIES (KANBAN)
2	15000304P	HOPPER -COLLAPSABLE STD
3	15590020	S-DRIVE ASM W/PINCH
4	13030016	Tongue
5	13030017	CLEVIS
6	15020040	BT HOPPER SECTION 10' WITH SD BKTS
7	15020094	SPOUT SECTION 15' W/CABLE RTRN BKT
8	15020051	BOTTOM TUBE WITH ANCHORS
9	15020052	SUSPENSION BRACKET TUBE
10	15020053	UPPER CENTER 20' TUBE
12	15031038	85 TRANSPORT BRACE
13	15031039	85 LIFT ARM RIGHT
14	15031040	85 LIFT ARM LEFT
15	15031041	85 AXLE ARM
16	15031043	85 UPPER LIFT ARM BRACE
17	15031044	LOWER LIFT ARM BRACE 85
18	15031045	LADDER 85
19	15032030	CROSS BRACE
20	15040040	PINCH DRIVE FRONT GUARD
21	15042040	SD-HOPPER BELT GUARD
22	15042093	SPOUT BOTTOM COVER
23	15042094	HOPPER GUARD BRACKET
24	15042101	WEATHER GUARD 5' - 61-1/2"
25	15042102	WEATHER GUARD 5' FLR - 61-1/2"
26	15042121	WEATHER GUARD 10' - 121-1/2"
27	15070009	HOPPER/SPOUT ROLLER LAGGED
28	20030109	AXLE EXTENDABLE 85
29	20030500	AXLE EXTENSION (WITH 6 LUGS)
30	150100811	WEATHER GUARD MOUNT BAR KIT-POLY
31	P0113004	CARRIAGE BOLT 1/2"X1-1/2"PLATED
32	P0113013	CARRIAGE BOLT 7/16"X1" PLATED
33	P0113020	CARRIAGE BOLT 5/16"X1-1/2"PLATED
34	P0118004	BOLT 1" X 3" GR8 PLATED
35	P0118007	BOLT 1" X 4-1/2" GR8 PLATED
36	P0118033	BOLT 1/4" X 3/4" GR8 PLATED
37	P0115303	CAPSCREW 3/8X1-1/4FLT HD SOCKET PTD
38	P0118076	BOLT 7/16"X1" GRADE 8 PLATED
39	P0118077	BOLT 7/16"X1-1/2" GRADE 8 PLATED
40	P0131017	NUT 5/16" PLATED GRADE 8
41	P0134026	LOCKNUT-NYLON-3/8" GRADE 8
42	P0134007	LOCKNUT-NYLON-7/16"
43	P0134008	LOCKNUT-NYLON-1/2"
44	P0134029	LOCKNUT-NYLON-3/4" GRADE 8
45	P0134030	LOCKNUT-NYLON-1" GRADE 8
46	P0141002	TEK SCREW 1/4"X1"
47	P0145002	SET SCREW-7/16"X2-1/2"SQ.HD.



1590 SD-15509011

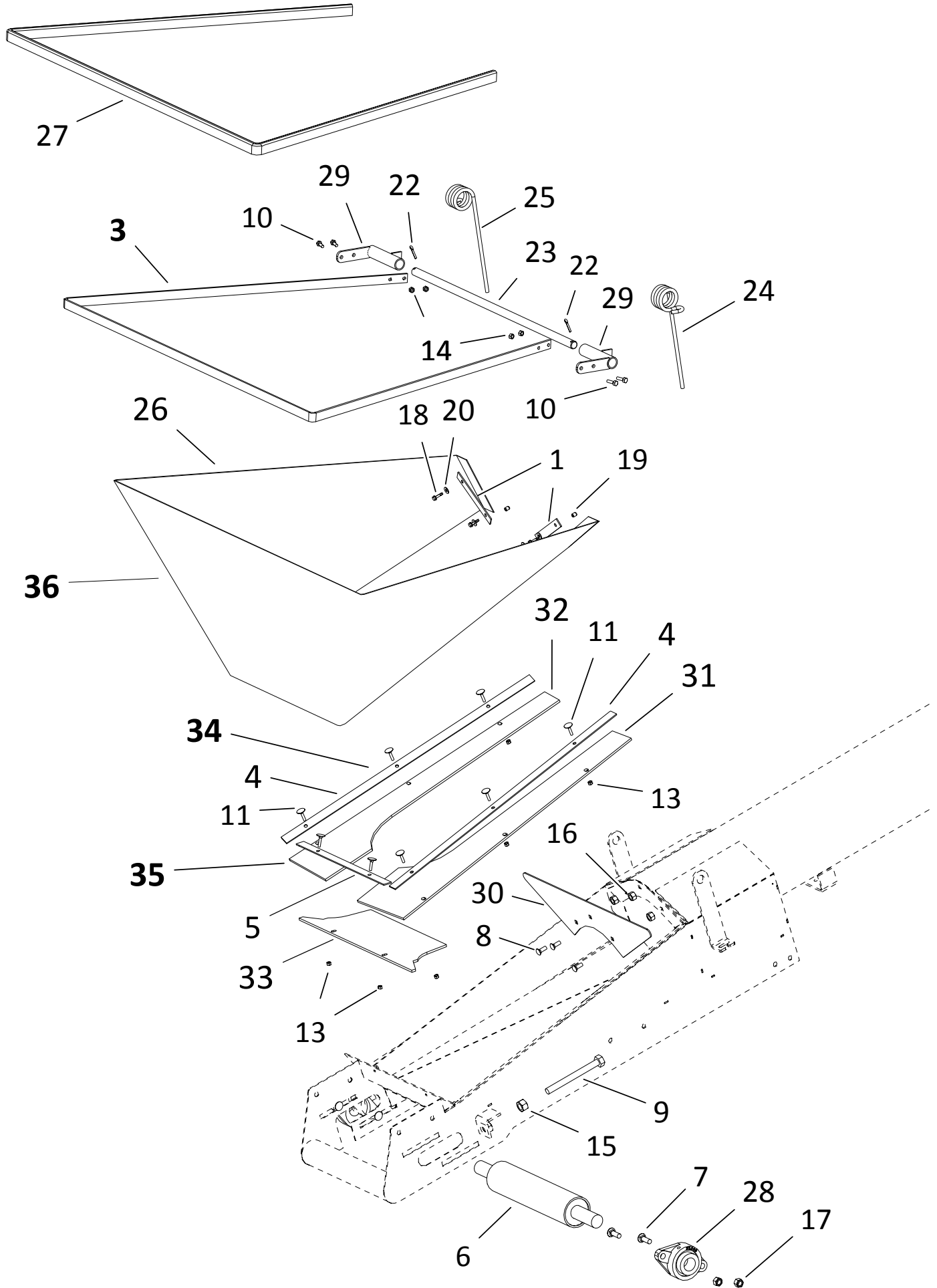
ITEM	PART NO.	DESCRIPTION
48	P0151006	FLAT WASHER 1/4"PLATED USS
49	P0151031	FLAT WASHER 1"PLATED USS
50	P0152004	LOCK WASHER 1/4"PLATED
51	P0152010	LOCK WASHER 5/16"PLATED
52	P0162001	HITCH PIN 1/2" X 3" PLATED
55	P0183004	U-BOLT 3" X 3" -PLATED
56	P0183005	U-BOLT 5"X2" (3/4") PTD
57	P0615308	TIRE ASM -6BLT ST205/75R15 LRC 6PL
58	P0712109	CABLE CLAMP-3/8"
59	P0814036	HYD CYL 4 X 36
60	P1010001	UNI-MOUNT PLATE CAST
61	P1012009	JACK-7000LB SQ.TUBE 25" EXT
62	P1021006	ROLLER HEX 15-7/8"
63	P1210030	BELT GUIDE BLOCK
64	P1711001	FLANGE UNIT-1-1/2"-SAFL208-24
65	P2515002	FRAME BUSHING
66	15030015	15 SERIES HITCH
67	15010103	HIGH CABLE BRIDGE
68	15570851	1585 175'
69	P0183021	3/8" EYE BOLT ASM
70	P0711112	CABLE-3/8" (136')
71	P0711115	CABLE-3/8" (68')
72	P1243001	CABLE TIE 14" 120 LB
73	P2227989	MANUAL HOLDER AND LID
74	15570901	1590 185'



S-DRIVE (15590020)

ITEM	PART NO.	DESCRIPTION
1	15040001	PINCH SD BOTTOM GUARD
2	15060061	SD COVER PLATE 6-1/2"ROLLER
3	15060079	S-DRIVE TAKEUP BRACKET
4	15060082	PINCH TIGHTENER PLATE
5	15060504	PRETENSIONER 1550
6	15061045	S-DRIVE PINCH
7	15061046	SIDE GUARD LH
8	15061047	SIDE GUARD RH
9	15062010	PINCH PIPE
10	15062179	S-DRIVE SLIDER BOLT PLATE - BOTTOM
11	15062180	S-DRIVE SLIDER BOLT PLATE - TOP
12	15070019	3-1/2"TAKE-UP (PINCH)
13	15070020	3-1/2"TAKE-UP 19.5"SHAFT
14	15070030	DRIVE ROLLER-6-1/2" W/EXT SHAFT
15	P0113000	SPRING TENSION BOLT
16	P0113001	CARRIAGE BOLT 1/2"X2" PLATED
17	P0113004	CARRIAGE BOLT 1/2"X1-1/2"PLATED
18	P0118033	BOLT 1/4" X 3/4" GR8 PLATED
19	P0118046	BOLT 3/8" X 1" GR8 PLATED
20	P0131019	NUT 3/4" PLATED GRADE 8
21	P0134026	LOCKNUT-NYLON-3/8" GRADE 8
22	P0134008	LOCKNUT-NYLON-1/2"
23	P0145002	SET SCREW-7/16"X2-1/2"SQ.HD.
24	P0151015	FLAT WASHER 3/4"PLATED USS
25	P0152004	LOCK WASHER 1/4"PLATED
26	P0167001	SPRING PIN 1/4" X 1-1/2"
27	P0351015	MACHINERY BUSH 3/4"X1-1/4"-14G PTD.
28	P0511008	SPRING-LD-1300 SERIES
29	P0820129	BUSHING BRASS FLANGED
30	P1210102	BELT TIGHTENER SLIDER PLATE FL208
31	P1711001	FLANGE UNIT-1-1/2"-SAFL208-24
32	P1711004	FLANGE UNIT-1"-SAFL205-16
33	P1721001	TAKE-UP UNIT-1-1/4"-T206-20
34	P2515006	15 S-DRIVE TIGHTENER BOLT
35	P20315001	S-DRIVE RETURN-1" ROLLER

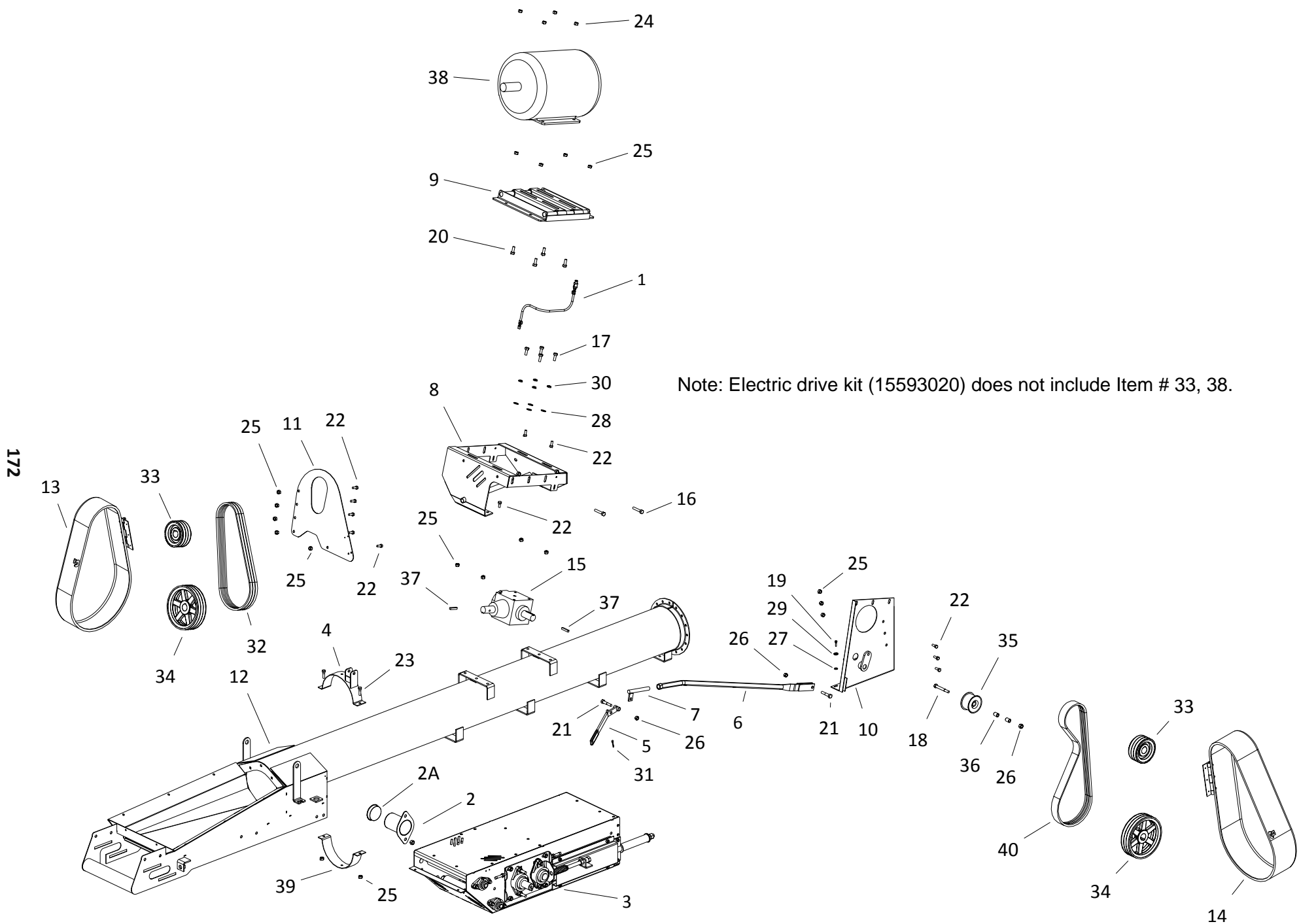
HOPPER (15000304P)



HOPPER (15000304P)

ITEM	PART NO.	DESCRIPTION
1	13052001	LOWER CLOTH FRAME STD BACK
3	15052004	UPPER CLOTH FRAME STD
4	15052101	LOWER CLOTH FRAME STD SIDE
5	15052102	LOWER CLOTH FRAME STD FRONT
6	15070009	HOPPER/SPOUT ROLLER LAGGED
7	P0113004	CARRIAGE BOLT 1/2"X1-1/2"PLATED
8	P0113015	CARRIAGE BOLT 3/8"X1" PLATED
9	P0114007	TAP BOLT 3/4 X 7 PLATED
10	P0118061	BOLT 5/16" X 1" GR8 PLATED
11	P0116001	ELEVATOR BOLT 1/4"X1-1/4"
13	P0131016	NUT 1/4" PLATED GRADE 8
14	P0131017	NUT 5/16" PLATED GRADE 8
15	P0131019	NUT 3/4" PLATED GRADE 8
16	P0134026	LOCKNUT-NYLON-3/8" GRADE 8
17	P0134008	LOCKNUT-NYLON-1/2"
18	P0141002	TEK SCREW 1/4"X1"
19	P0145001	VINYL SCREW CAP
20	P0151006	FLAT WASHER 1/4"PLATED USS
22	P0161003	COTTER PIN 3/16"X1-1/2"PLATED
23	P0162007	HOPPER PIVOT SHAFT-13/15
24	P0521001	HOPPER SPRING-L
25	P0521002	HOPPER SPRING-R
26	P1621007	HOPPER CANVAS-15 CONV.
27	P1641015	TRIM LOCK
28	P1711001	FLANGE UNIT-1-1/2"-SAFL208-24
29	P2515017	PIVOT SHAFT BRACKET
30	P11150047	HOPPER SHIELD
31	P19159000	HOPPER LEFT FLASHING STD
32	P19159001	HOPPER RIGHT FLASHING STD
33	P19159002	HOPPER FRONT FLASHING STD
34	15000314	HOPPER -LINER KIT STD
35	15000306P	HOPPER -FLASHING ONLY STD
36	15000304P	HOPPER -COLLAPSABLE STD

1590 ELECTRIC DRIVE KIT (15593020)

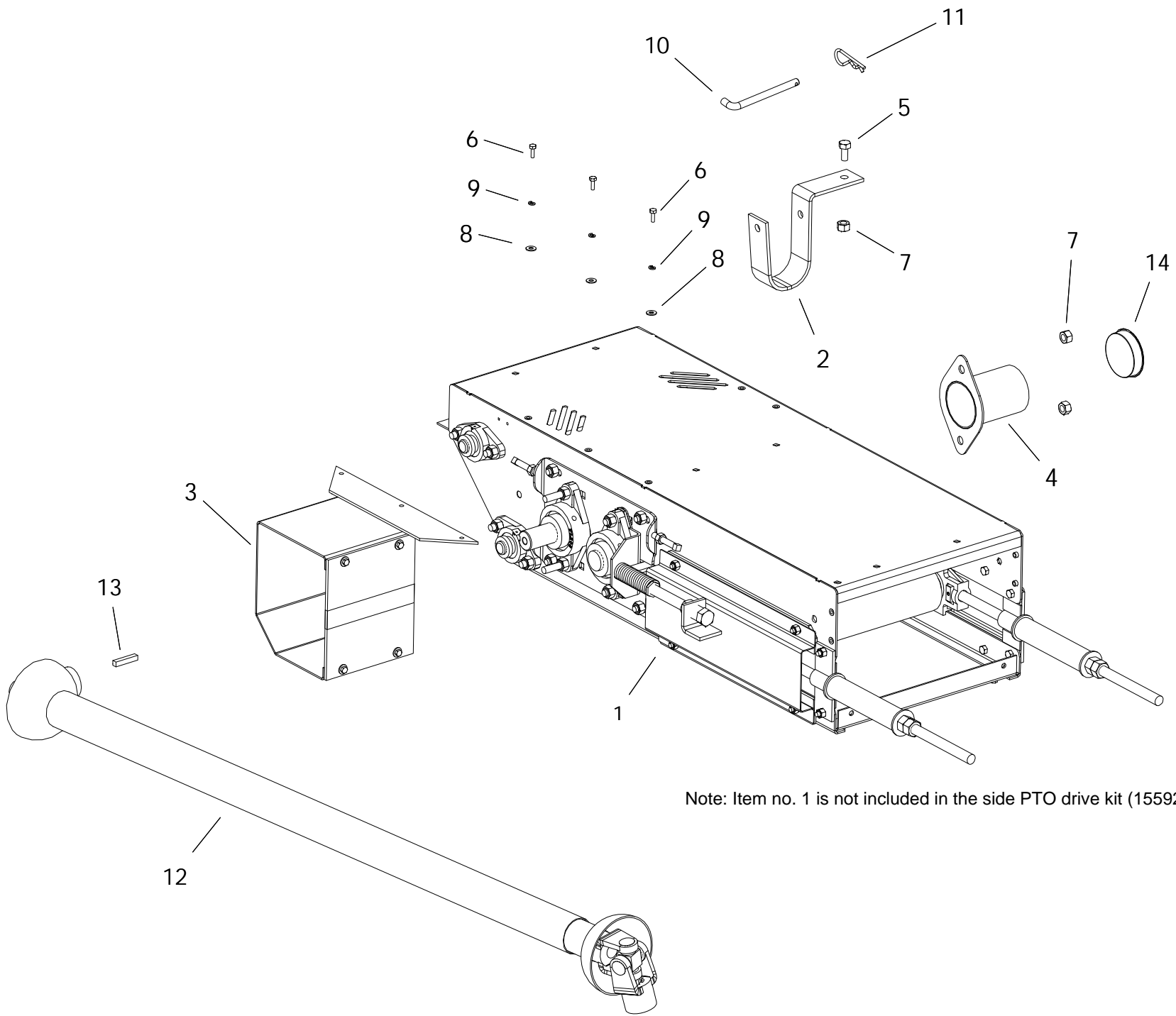


172

1590 ELECTRIC DRIVE KIT (15593020)

ITEM	PART NO.	DESCRIPTION
1	01010003	BREATHER DIRECT DRIVE
2	24041038	SHAFT GUARD(FL-210)
2A	P1210033	501 SHAFT GUARD PLUG
3	15590020	S-DRIVE ASM W/PINCH
4	13010048	MOTOR MT OVERCENTER ANCHOR BKT
5	13010054	MOTOR MT OVERCENTER HANDLE
6	13060068	MOTOR MT OVERCENTER PUSHROD
7	13060074	OVERCENTER ADJUSTER
8	13060102	MOTOR MOUNT
9	13060103	SLIDER MOUNT
10	13060105	MOTOR MOUNT BACK PLATE
11	13060107	ENGINE GUARD BACK
12	15020040	BT HOPPER SECTION 10' WITH SD BKTS
13	15040055	PINCH GUARD SMALL ASSEMBLED
14	15040056	PINCH GUARD MED ASSEMBLED
15	15591001	GBOX 90 2:1 CW/CW 1-1/2 4190 W/OIL
16	P0114005	TAP BOLT 1/2 X 2-1/2 GR.8 PLATED
17	P0115020	BOLT 1/2" X 1-1/4" GR5 PLATED
18	P0118130	BOLT 1/2" X 4" GR8 PLATED
19	P0118131	BOLT 1/4" X 1" GR8 PLATED
20	P0118061	BOLT 5/16" X 1" GR8 PLATED
21	P0118016	BOLT 1/2" X 2" GR8 PLATED
22	P0118076	BOLT 7/16"X1" GRADE 8 PLATED
23	P0118077	BOLT 7/16"X1-1/2" GRADE 8 PLATED
24	P0134027	LOCKNUT-NYLON-5/16" GRADE 8
25	P0134007	LOCKNUT-NYLON-7/16"
26	P0134008	LOCKNUT-NYLON-1/2"
27	P0151006	FLAT WASHER 1/4"PLATED USS
28	P0151029	FLAT WASHER 1/2"PLATED USS
29	P0152004	LOCK WASHER 1/4"PLATED
30	P0152008	LOCK WASHER 1/2"PLATED
31	P0161003	COTTER PIN 3/16"X1-1/2"PLATED
32	P0321052	BELT B52
33	P0328050	PULLEY-TRPL-6" W/1-1/2"BORE
34	P0328079	PULLEY-TRPL-10" W/1-1/2"BORE
35	P0328910	IDLER-FLAT-4"TRPL 2-7/16"WIDE
36	P0351019	BUSHING 3/4"ODX1/2"IDX1"BRONZE
37	P0391002	KEY 3/8" X 2" LONG
38	P0931005	MOTOR 10HP 3PH 230/460V 1740RPM
39	P2219801P	U-CLAMP HANGER-10"X2-1/2"-BLACK
40	P03210652	BELT 3B65 BANDED

SIDE P.T.O. DRIVE KIT 15 SERIES (15592200)

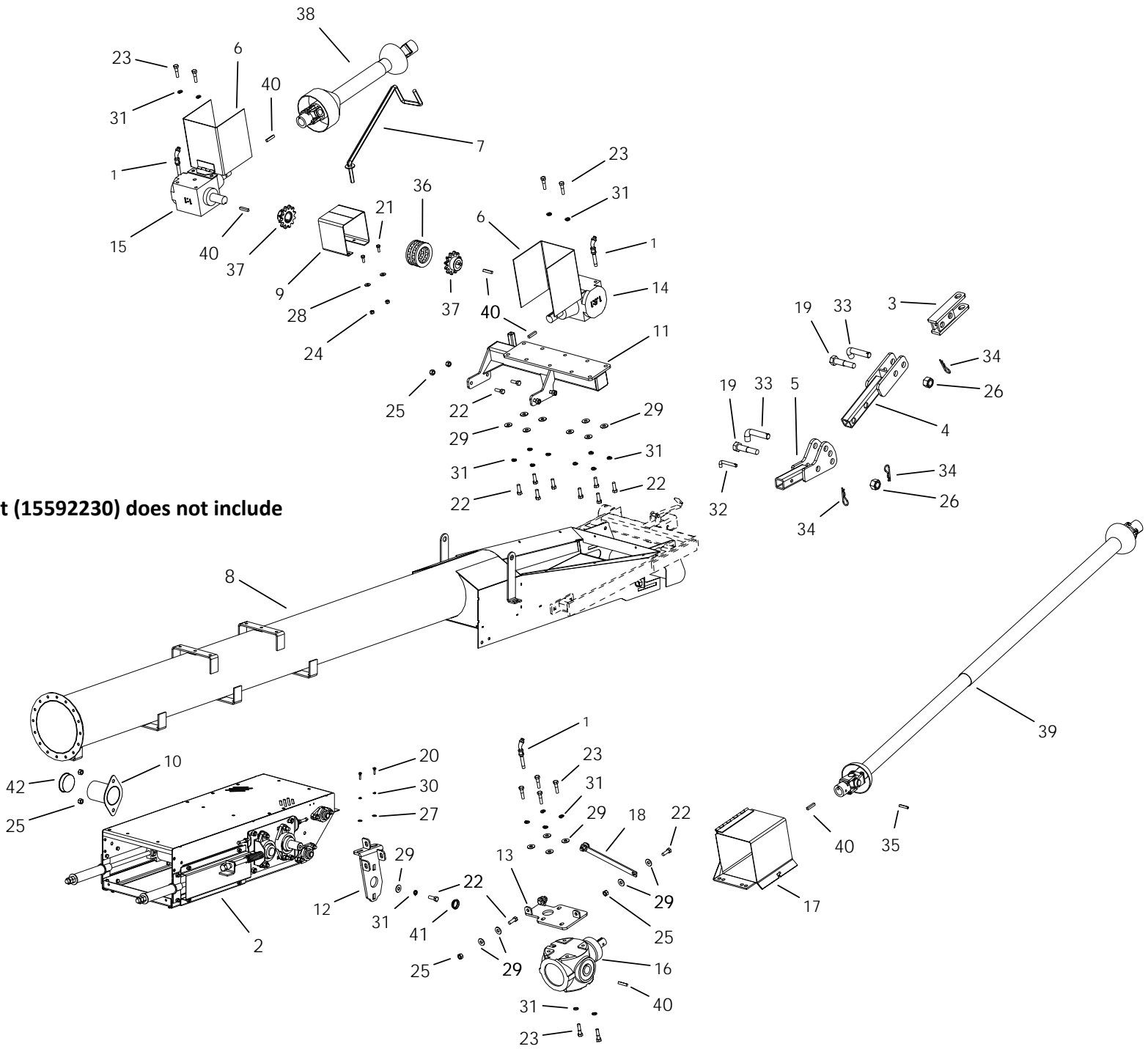


Note: Item no. 1 is not included in the side PTO drive kit (15592200)

SIDE P.T.O. DRIVE KIT 15 SERIES (15592200)

ITEM	PART NO.	DESCRIPTION
1	15590020	S-DRIVE ASM W/PINCH
2	13042018	PTO CRADLE
3	15040002	PTO GUARD
4	15041038	SHAFT GUARD(FL-208)
5	P0118012	BOLT 1/2" X 1" GR8 PLATED
6	P0118033	BOLT 1/4" X 3/4" GR8 PLATED
7	P0134008	LOCKNUT-NYLON-1/2"
8	P0151006	FLAT WASHER 1/4"PLATED USS
9	P0152004	LOCK WASHER 1/4"PLATED
10	P0162004	HITCH PIN 1/2" X 5" PLATED
11	P0163001	HAIR PIN 3/16" X 3-1/4"
12	P0381014	PTO SHAFT 1-1/2"X75"
13	P0391002	KEY 3/8" X 2" LONG
14	P1210033	501 SHAFT GUARD PLUG

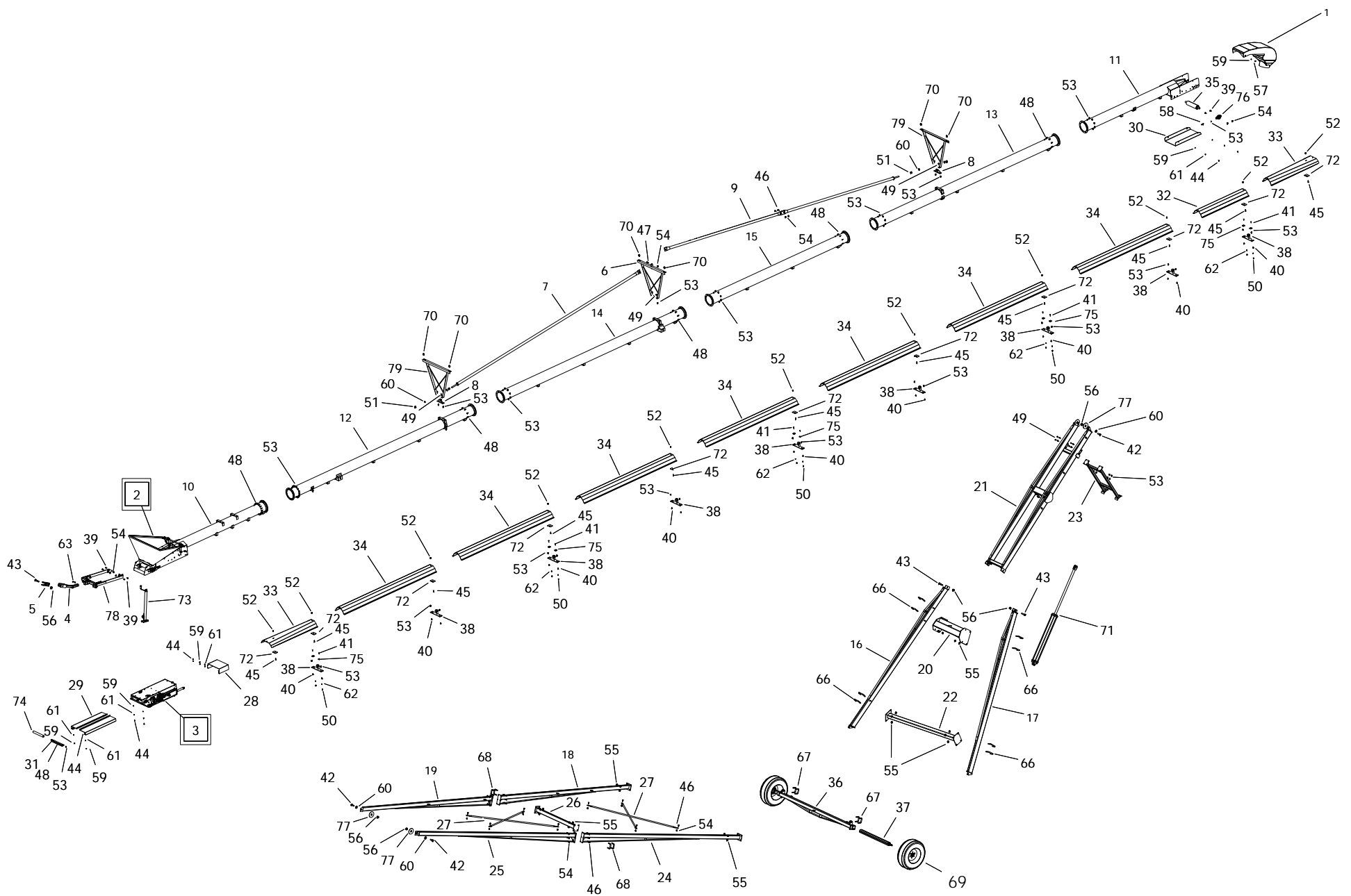
FRONT DRIVE PTO KIT 15 SERIES (15592230)



Note: Front PTO Kit (15592230) does not include item # 2, 8

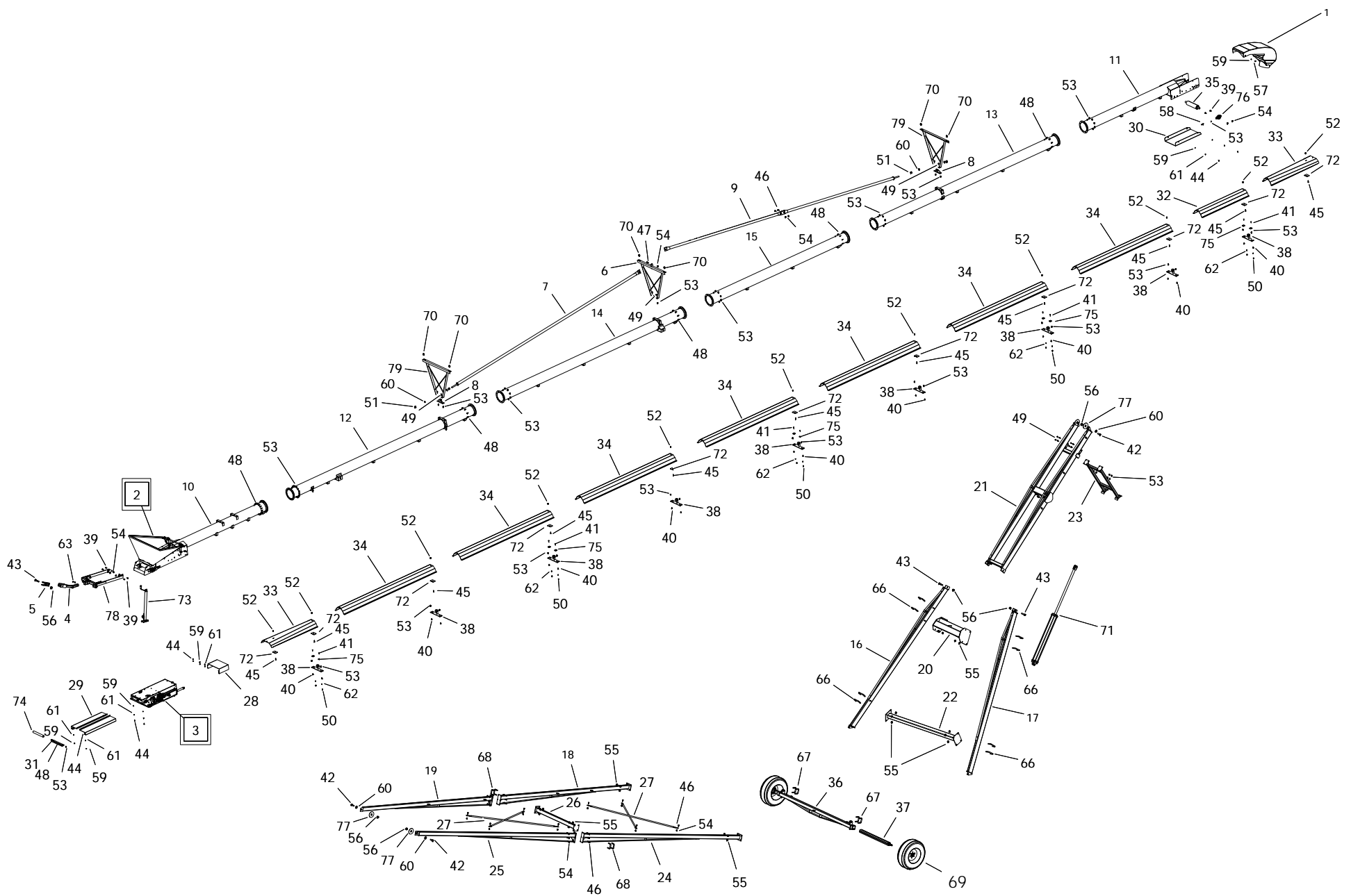
FRONT DRIVE PTO KIT 15 SERIES (15592230)

ITEM	PART NO.	DESCRIPTION
1	01010002	BREATHER -SWING AWAY
2	15590020	S-DRIVE ASM W/PINCH
3	13030017	CLEVIS
4	13030064	13/15 ADJUSTABLE CLEVIS
5	13030065	15 SWING ADJUSTABLE TONGUE
6	13040011	PTO GUARD SWING
7	13090019	SWING PTO CRADLE
8	15020040	BT HOPPER SECTION 10' WITH SD BKTS
9	15040009	COUPLING GUARD
10	15041038	SHAFT GUARD(FL-208)
11	15090067	GEARBOX MOUNT PLATFORM
12	15090071	SWING GEARBOX SIDE MT (SD)
13	15090072	SWING GEARBOX SIDE MT (GBOX)
14	15591000	GBOX 90 1:1 CW/CW 1-1/2 4190 W/OIL
15	15591002	GBOX 90 1:1 CW/CCW 1-1/2 4190 W/OIL
16	15591003	GBOX 90 1.5:1SFTMT 1-1/2 5190 W/OIL
17	20040008	GUARD 6190GB FLIP-UP
18	20092097	SWING 6190 GBOX SIDE MT (LINK ARM)
19	0118007	BOLT 1" X 4-1/2" GR8 PLATED
20	P0118131	BOLT 1/4" X 1" GR8 PLATED
21	P0118046	BOLT 3/8" X 1" GR8 PLATED
22	P0118013	BOLT 1/2"X1 1/2" GR.8 PLATED
23	P0118016	BOLT 1/2" X 2" GR8 PLATED
24	P0134026	LOCKNUT-NYLON-3/8" GRADE 8
25	P0134008	LOCKNUT-NYLON-1/2"
26	P0134030	LOCKNUT-NYLON-1" GRADE 8
27	P0151006	FLAT WASHER 1/4"PLATED USS
28	P0151009	FLAT WASHER 3/8"PLATED USS
29	P0151029	FLAT WASHER 1/2"PLATED USS
30	P0152004	LOCK WASHER 1/4"PLATED
31	P0152008	LOCK WASHER 1/2"PLATED
32	P0162001	HITCH PIN 1/2" X 3" PLATED
33	P0162003	HITCH PIN 1" X 3-1/2" PLATED
34	P0163001	HAIR PIN 3/16" X 3-1/4"
35	P0167002	SPRING PIN 3/8" X 2"
36	P0311003	CHAIN FOR DRIVE(80-2RX12+CL)
37	P0338122	SPROCKET-H80B12 X 1-1/2
38	P0381003	CV SHAFT-14E W/1-1/2"IMP.END
39	P0381028	PTO SHAFT-1-1/2" BOTH ENDS-105"-35
40	P0391002	KEY 3/8" X 2" LONG
41	P1210022	RECESSED HEAD BUTTON PLUG 1-1/2"
42	P1210033	501 SHAFT GUARD PLUG
43	15030015	15 SERIES HITCH



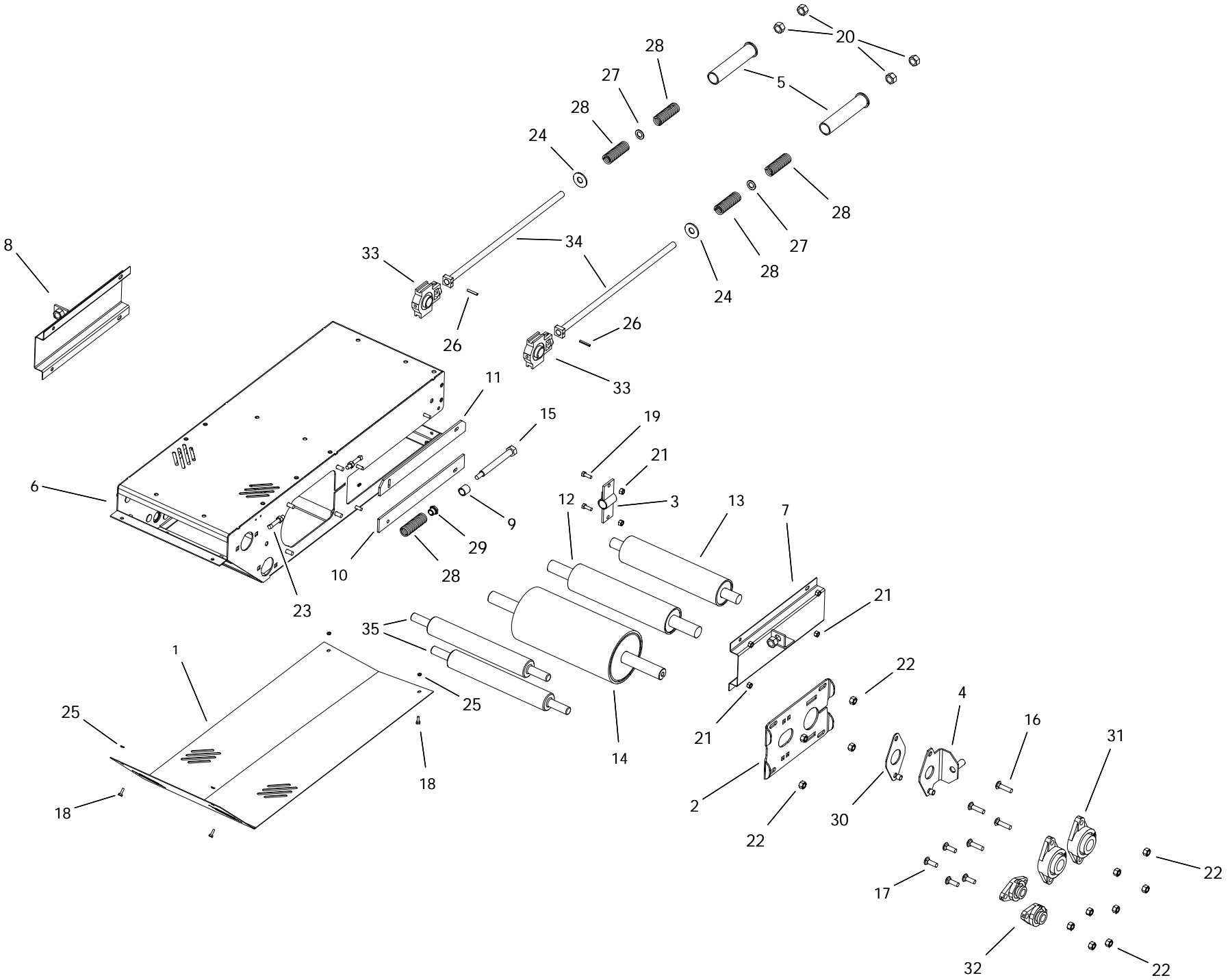
15100 SD-15510011

ITEM	PART NO.	DESCRIPTION
1	P1211501	HOOD-ROUND 15 SERIES (KANBAN)
2	15000304P	HOPPER -COLLAPSABLE STD
3	15590020	S-DRIVE ASM W/PINCH
4	13030016	Tongue
5	13030017	CLEVIS
6	15010104	HIGH CABLE BRIDGE PLUS ANCHOR
7	15010105	UPPER TRUSS TUBE -246"
8	15010106	TRUSS ROD ANCHOR
9	15010107	UPPER TRUSS TUBE -300"
10	15020040	BT HOPPER SECTION 10' WITH SD BKTS
11	15020045	SPOUT SECTION 10' W/CABLE RTRN BKT
12	15020051	BOTTOM TUBE WITH ANCHORS
13	15020053	UPPER CENTER 20' TUBE
14	15020055	SUSPENSION BRACKET TUBE 100
15	15020056	CENTER SECTION 15'-100
16	15030080	LIFT ARM 100 RIGHT
17	15030081	LIFT ARM 100 LEFT
18	15030082	LOWER AXLE ARM 100 RIGHT
19	15030083	UPPER AXLE ARM 100 RIGHT
20	15030084	UPPER LIFT ARM BRACE 100
21	15030085	LADDER 100
22	15030086	LOWER LIFT ARM BRACE 100
23	15030087	TRANSPORT BRACE 100
24	15030088	LOWER AXLE ARM 100 LEFT
25	15030089	UPPER AXLE ARM 100 LEFT
26	15031046	AXLE ARM CROSS BRACE 15100
27	15032030	CROSS BRACE
28	15040040	PINCH DRIVE FRONT GUARD
29	15042040	SD-HOPPER BELT GUARD
30	15042093	SPOUT BOTTOM COVER
31	15042094	HOPPER GUARD BRACKET
32	15042101	WEATHER GUARD 5' - 61-1/2"
33	15042102	WEATHER GUARD 5' FLR - 61-1/2"
34	15042121	WEATHER GUARD 10' - 121-1/2"
35	15070009	HOPPER/SPOUT ROLLER LAGGED
36	20030109	AXLE EXTENDABLE 85
37	20030500	AXLE EXTENSION (WITH 6 LUGS)
38	150100811	WEATHER GUARD MOUNT BAR KIT-POLY
39	P0113004	CARRIAGE BOLT 1/2"X1-1/2"PLATED
40	P0113013	CARRIAGE BOLT 7/16"X1" PLATED
41	P0113020	CARRIAGE BOLT 5/16"X1-1/2"PLATED
42	P0118004	BOLT 1" X 3" GR8 PLATED
43	0118007	BOLT 1" X 4-1/2" GR8 PLATED
44	P0118033	BOLT 1/4" X 3/4" GR8 PLATED
45	P0115303	CAPSCREW 3/8X1-1/4FLT HD SOCKET PTD
46	P0118013	BOLT 1/2"X1 1/2" GR.8 PLATED



15100 SD-15510011

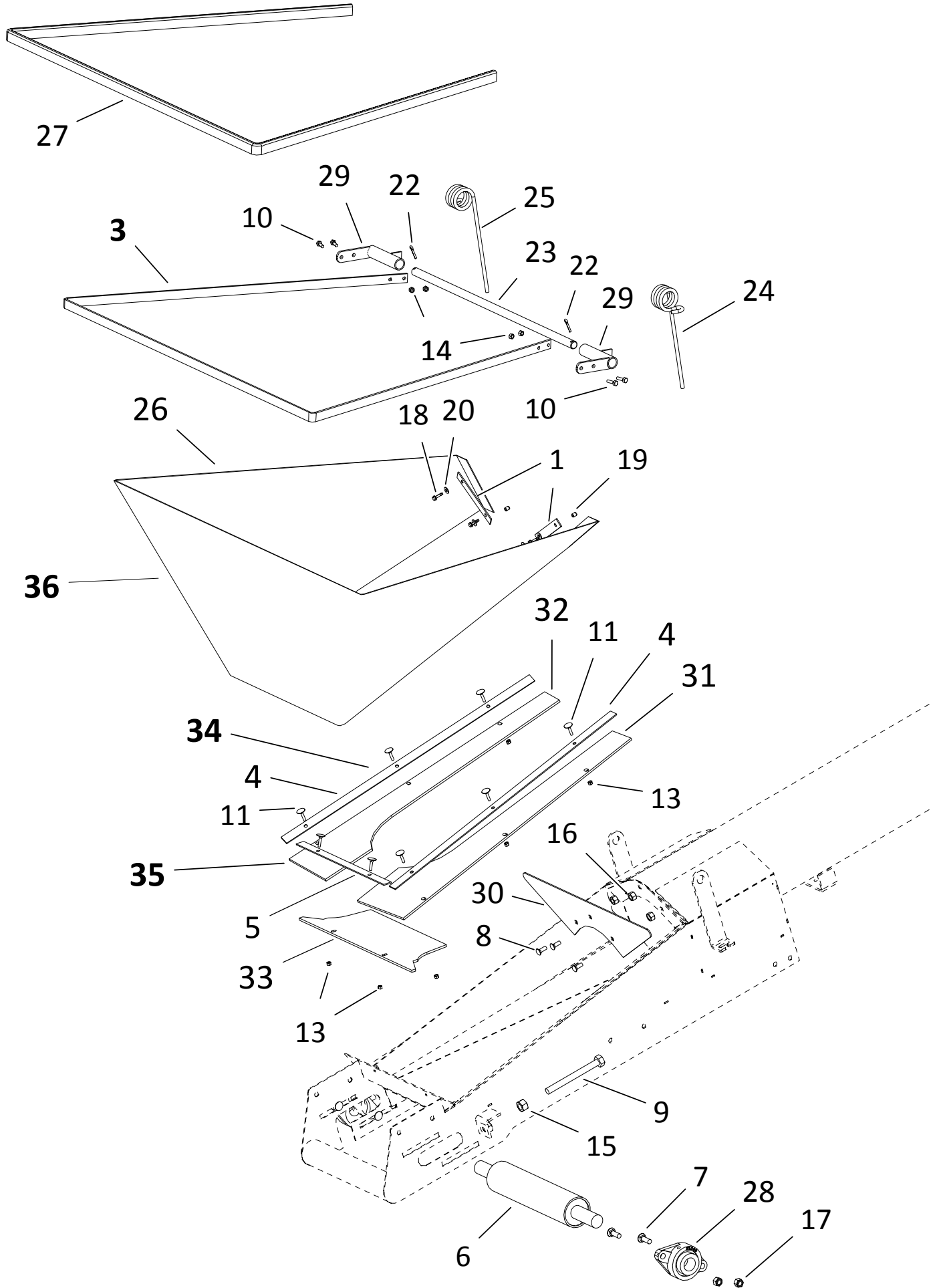
ITEM	PART NO.	DESCRIPTION
47	P0118016	BOLT 1/2" X 2" GR8 PLATED
48	P0118076	BOLT 7/16"X1" GRADE 8 PLATED
49	P0118077	BOLT 7/16"X1-1/2" GRADE 8 PLATED
50	P0131017	NUT 5/16" PLATED GRADE 8
51	P0131021	NUT 1" PLATED GRADE 8
52	P0134026	LOCKNUT-NYLON-3/8" GRADE 8
53	P0134007	LOCKNUT-NYLON-7/16"
54	P0134008	LOCKNUT-NYLON-1/2"
55	P0134029	LOCKNUT-NYLON-3/4" GRADE 8
56	P0134030	LOCKNUT-NYLON-1" GRADE 8
57	P0141002	TEK SCREW 1/4"X1"
58	P0145002	SET SCREW-7/16"X2-1/2"SQ.HD.
59	P0151006	FLAT WASHER 1/4"PLATED USS
60	P0151031	FLAT WASHER 1"PLATED USS
61	P0152004	LOCK WASHER 1/4"PLATED
62	P0152010	LOCK WASHER 5/16"PLATED
63	P0162001	HITCH PIN 1/2" X 3" PLATED
66	P0183006	U-BOLT 6" X 2" -PLATED
67	P0183012	U-BOLT 3-1/2" X 3-1/2" X 3/4"PTD
68	P0183013	U-BOLT 4"X2" (3/4") PTD
69	P0615308	TIRE ASM -6BLT ST205/75R15 LRC 6PL
70	P0712109	CABLE CLAMP-3/8"
71	P0814048	HYD CYL-4X48
72	P1010001	UNI-MOUNT PLATE CAST
73	P1012009	JACK-7000LB SQ.TUBE 25" EXT
74	P1021006	ROLLER HEX 15-7/8"
75	P1210030	BELT GUIDE BLOCK
76	P1711001	FLANGE UNIT-1-1/2"-SAFL208-24
77	P2515002	FRAME BUSHING
78	15030015	15 SERIES HITCH
79	15010103	HIGH CABLE BRIDGE
80	15571001	15100 205'
81	P0183021	3/8" EYE BOLT ASM
82	P0711113	CABLE-3/8" (162') (NOT SHOWN)
83	P0711119	CABLE-3/8" (96') (NOT SHOWN)
84	P1243001	CABLE TIE 14" 120 LB
85	P2227989	MANUAL HOLDER AND LID



S-DRIVE (15590020)

ITEM	PART NO.	DESCRIPTION
1	15040001	PINCH SD BOTTOM GUARD
2	15060061	SD COVER PLATE 6-1/2" ROLLER
3	15060079	S-DRIVE TAKEUP BRACKET
4	15060082	PINCH TIGHTENER PLATE
5	15060504	PRETENSIONER 1550
6	15061045	S-DRIVE PINCH
7	15061046	SIDE GUARD LH
8	15061047	SIDE GUARD RH
9	15062010	PINCH PIPE
10	15062179	S-DRIVE SLIDER BOLT PLATE - BOTTOM
11	15062180	S-DRIVE SLIDER BOLT PLATE - TOP
12	15070019	3-1/2" TAKE-UP (PINCH)
13	15070020	3-1/2" TAKE-UP 19.5" SHAFT
14	15070030	DRIVE ROLLER-6-1/2" W/EXT SHAFT
15	P0113000	SPRING TENSION BOLT
16	P0113001	CARRIAGE BOLT 1/2" X 2" PLATED
17	P0113004	CARRIAGE BOLT 1/2" X 1-1/2" PLATED
18	P0118033	BOLT 1/4" X 3/4" GR8 PLATED
19	P0118046	BOLT 3/8" X 1" GR8 PLATED
20	P0131019	NUT 3/4" PLATED GRADE 8
21	P0134026	LOCKNUT-NYLON-3/8" GRADE 8
22	P0134008	LOCKNUT-NYLON-1/2"
23	P0145002	SET SCREW-7/16" X 2-1/2" SQ. HD.
24	P0151015	FLAT WASHER 3/4" PLATED USS
25	P0152004	LOCK WASHER 1/4" PLATED
26	P0167001	SPRING PIN 1/4" X 1-1/2"
27	P0351015	MACHINERY BUSH 3/4" X 1-1/4"-14G PTD.
28	P0511008	SPRING-LD-1300 SERIES
29	P0820129	BUSHING BRASS FLANGED
30	P1210102	BELT TIGHTENER SLIDER PLATE FL208
31	P1711001	FLANGE UNIT-1-1/2"-SAFL208-24
32	P1711004	FLANGE UNIT-1"-SAFL205-16
33	P1721001	TAKE-UP UNIT-1-1/4"-T206-20
34	P2515006	15 S-DRIVE TIGHTENER BOLT
35	P20315001	S-DRIVE RETURN-1" ROLLER

HOPPER (15000304P)

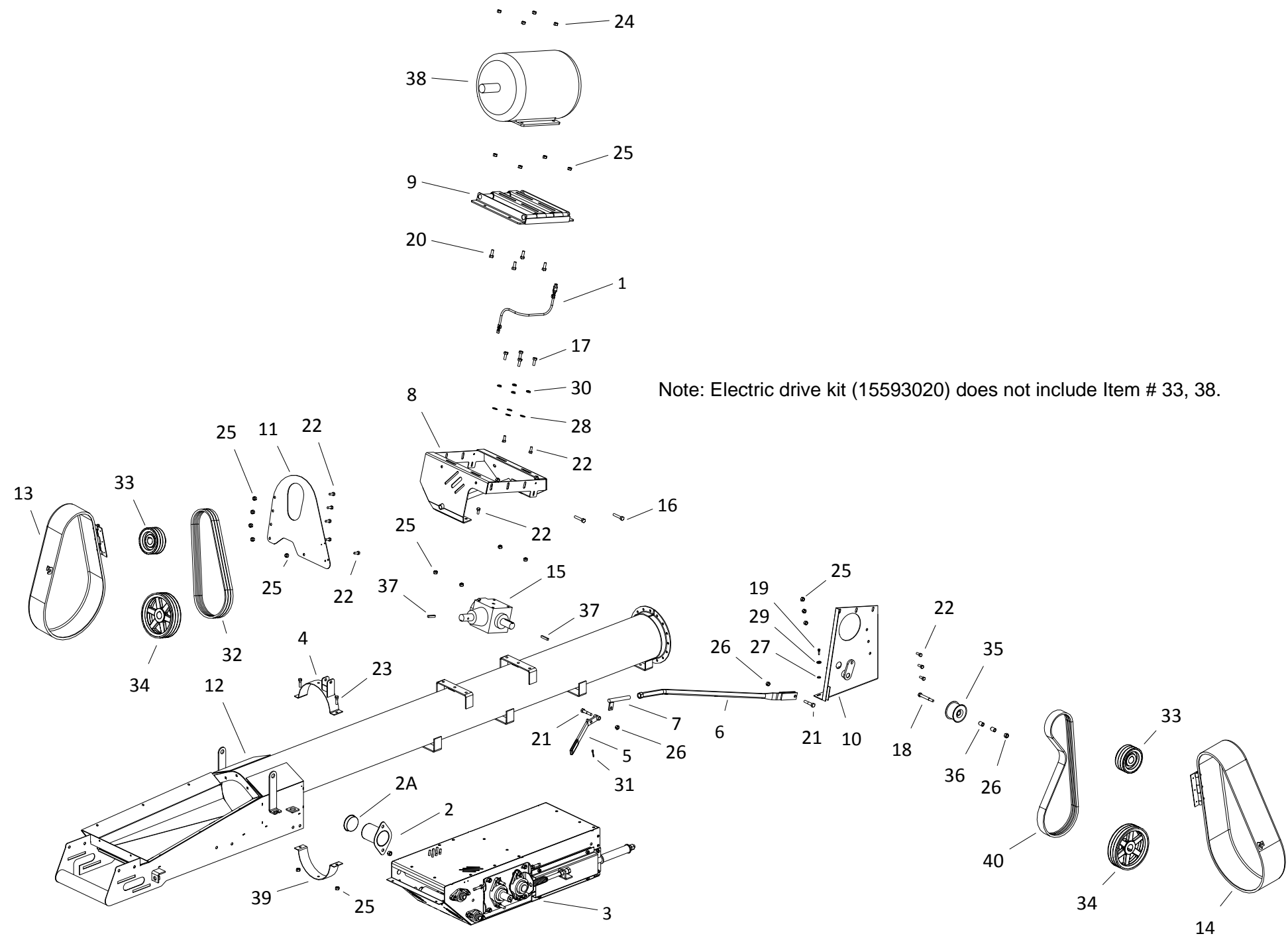


HOPPER (15000304P)

ITEM	PART NO.	DESCRIPTION
1	13052001	LOWER CLOTH FRAME STD BACK
3	15052004	UPPER CLOTH FRAME STD
4	15052101	LOWER CLOTH FRAME STD SIDE
5	15052102	LOWER CLOTH FRAME STD FRONT
6	15070009	HOPPER/SPOUT ROLLER LAGGED
7	P0113004	CARRIAGE BOLT 1/2"X1-1/2"PLATED
8	P0113015	CARRIAGE BOLT 3/8"X1" PLATED
9	P0114007	TAP BOLT 3/4 X 7 PLATED
10	P0118061	BOLT 5/16" X 1" GR8 PLATED
11	P0116001	ELEVATOR BOLT 1/4"X1-1/4"
13	P0131016	NUT 1/4" PLATED GRADE 8
14	P0131017	NUT 5/16" PLATED GRADE 8
15	P0131019	NUT 3/4" PLATED GRADE 8
16	P0134026	LOCKNUT-NYLON-3/8" GRADE 8
17	P0134008	LOCKNUT-NYLON-1/2"
18	P0141002	TEK SCREW 1/4"X1"
19	P0145001	VINYL SCREW CAP
20	P0151006	FLAT WASHER 1/4"PLATED USS
22	P0161003	COTTER PIN 3/16"X1-1/2"PLATED
23	P0162007	HOPPER PIVOT SHAFT-13/15
24	P0521001	HOPPER SPRING-L
25	P0521002	HOPPER SPRING-R
26	P1621007	HOPPER CANVAS-15 CONV.
27	P1641015	TRIM LOCK
28	P1711001	FLANGE UNIT-1-1/2"-SAFL208-24
29	P2515017	PIVOT SHAFT BRACKET
30	P11150047	HOPPER SHIELD
31	P19159000	HOPPER LEFT FLASHING STD
32	P19159001	HOPPER RIGHT FLASHING STD
33	P19159002	HOPPER FRONT FLASHING STD
34	15000314	HOPPER -LINER KIT STD
35	15000306P	HOPPER -FLASHING ONLY STD
36	15000304P	HOPPER -COLLAPSABLE STD

15100 ELECTRIC DRIVE KIT (15593020)

186

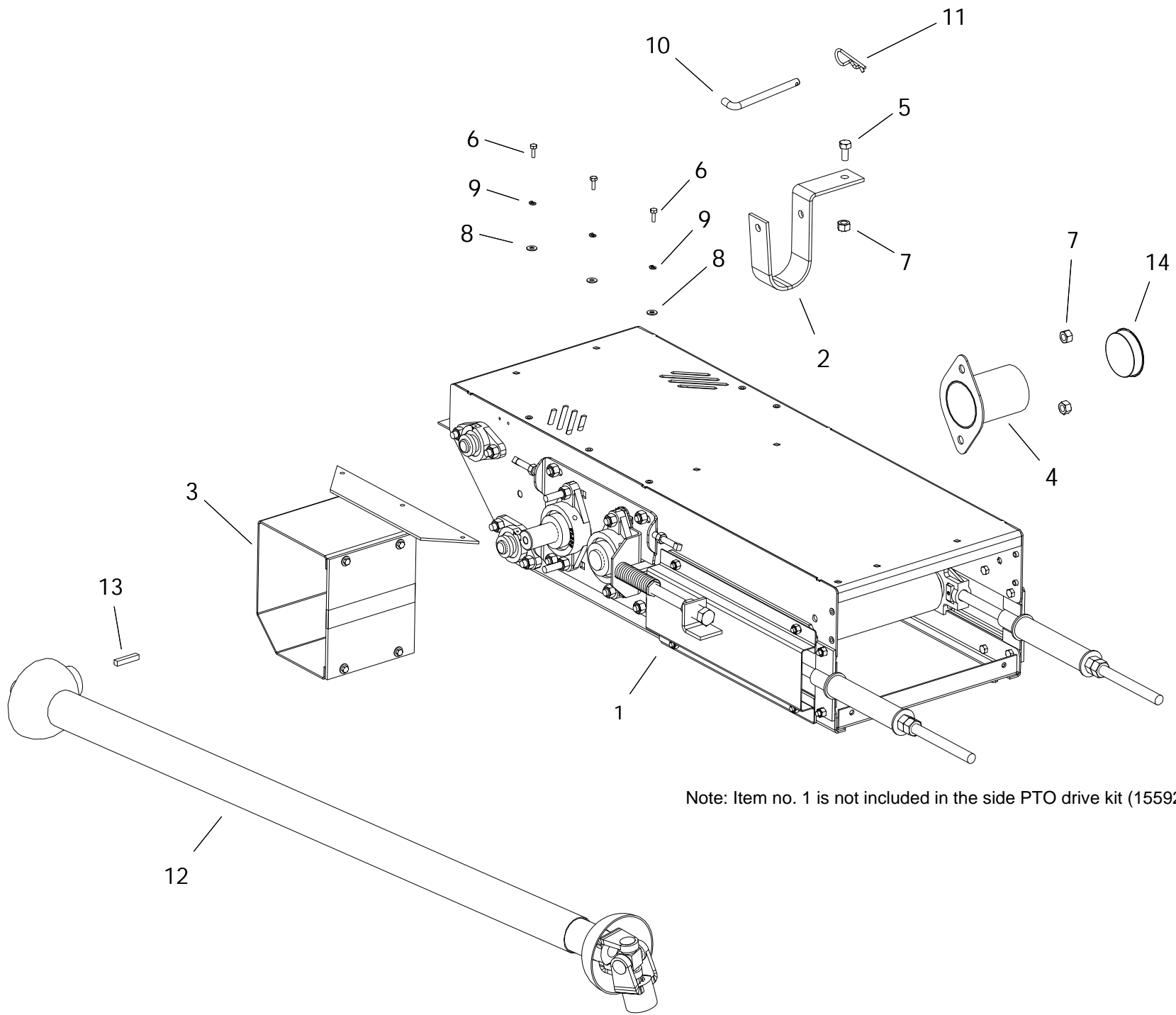


Note: Electric drive kit (15593020) does not include Item # 33, 38.

15100 ELECTRIC DRIVE KIT (15593020)

ITEM	PART NO.	DESCRIPTION
1	01010003	BREATHER DIRECT DRIVE
2	24041038	SHAFT GUARD(FL-210)
2A	P1210033	501 SHAFT GUARD PLUG
3	15590020	S-DRIVE ASM W/PINCH
4	13010048	MOTOR MT OVERCENTER ANCHOR BKT
5	13010054	MOTOR MT OVERCENTER HANDLE
6	13060068	MOTOR MT OVERCENTER PUSHROD
7	13060074	OVERCENTER ADJUSTER
8	13060102	MOTOR MOUNT
9	13060103	SLIDER MOUNT
10	13060105	MOTOR MOUNT BACK PLATE
11	13060107	ENGINE GUARD BACK
12	15020040	BT HOPPER SECTION 10' WITH SD BKTS
13	15040055	PINCH GUARD SMALL ASSEMBLED
14	15040056	PINCH GUARD MED ASSEMBLED
15	15591001	GBOX 90 2:1 CW/CW 1-1/2 4190 W/OIL
16	P0114005	TAP BOLT 1/2 X 2-1/2 GR.8 PLATED
17	P0115020	BOLT 1/2" X 1-1/4" GR5 PLATED
18	P0118130	BOLT 1/2" X 4" GR8 PLATED
19	P0118131	BOLT 1/4" X 1" GR8 PLATED
20	P0118061	BOLT 5/16" X 1" GR8 PLATED
21	P0118016	BOLT 1/2" X 2" GR8 PLATED
22	P0118076	BOLT 7/16"X1" GRADE 8 PLATED
23	P0118077	BOLT 7/16"X1-1/2" GRADE 8 PLATED
24	P0134027	LOCKNUT-NYLON-5/16" GRADE 8
25	P0134007	LOCKNUT-NYLON-7/16"
26	P0134008	LOCKNUT-NYLON-1/2"
27	P0151006	FLAT WASHER 1/4"PLATED USS
28	P0151029	FLAT WASHER 1/2"PLATED USS
29	P0152004	LOCK WASHER 1/4"PLATED
30	P0152008	LOCK WASHER 1/2"PLATED
31	P0161003	COTTER PIN 3/16"X1-1/2"PLATED
32	P0321052	BELT B52
33	P0328050	PULLEY-TRPL-6" W/1-1/2"BORE
34	P0328079	PULLEY-TRPL-10" W/1-1/2"BORE
35	P0328910	IDLER-FLAT-4"TRPL 2-7/16"WIDE
36	P0351019	BUSHING 3/4"ODX1/2"IDX1"BRONZE
37	P0391002	KEY 3/8" X 2" LONG
38	P0931005	MOTOR 10HP 3PH 230/460V 1740RPM
39	P2219801P	U-CLAMP HANGER-10"X2-1/2"-BLACK
40	P03210652	BELT 3B65 BANDED

SIDE P.T.O. DRIVE KIT 15 SERIES (15592200)

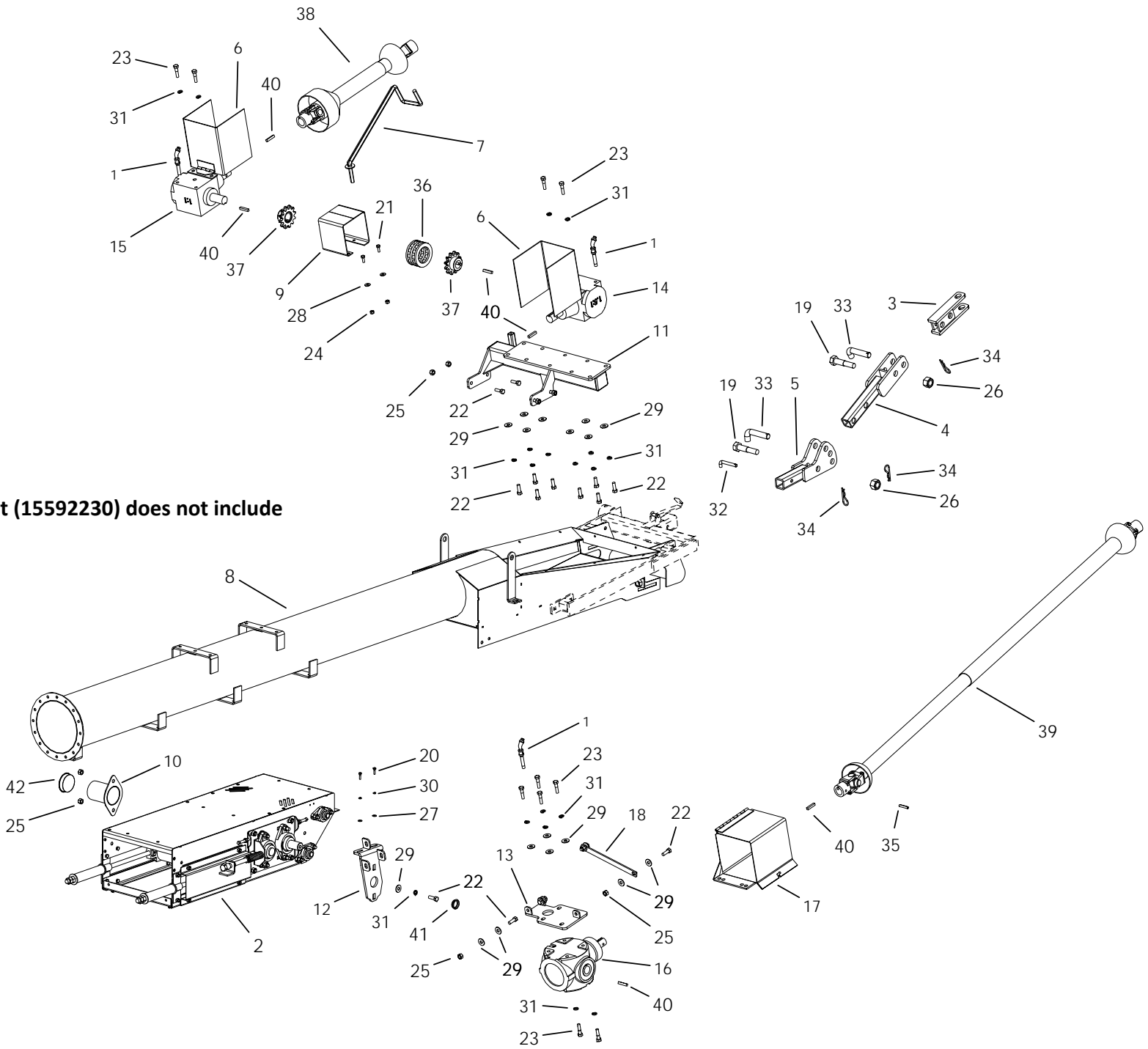


Note: Item no. 1 is not included in the side PTO drive kit (15592200)

SIDE P.T.O. DRIVE KIT 15 SERIES (15592200)

ITEM	PART NO.	DESCRIPTION
1	15590020	S-DRIVE ASM W/PINCH
2	13042018	PTO CRADLE
3	15040002	PTO GUARD
4	15041038	SHAFT GUARD(FL-208)
5	P0118012	BOLT 1/2" X 1" GR8 PLATED
6	P0118033	BOLT 1/4" X 3/4" GR8 PLATED
7	P0134008	LOCKNUT-NYLON-1/2"
8	P0151006	FLAT WASHER 1/4"PLATED USS
9	P0152004	LOCK WASHER 1/4"PLATED
10	P0162004	HITCH PIN 1/2" X 5" PLATED
11	P0163001	HAIR PIN 3/16" X 3-1/4"
12	P0381014	PTO SHAFT 1-1/2"X75"
13	P0391002	KEY 3/8" X 2" LONG
14	P1210033	501 SHAFT GUARD PLUG

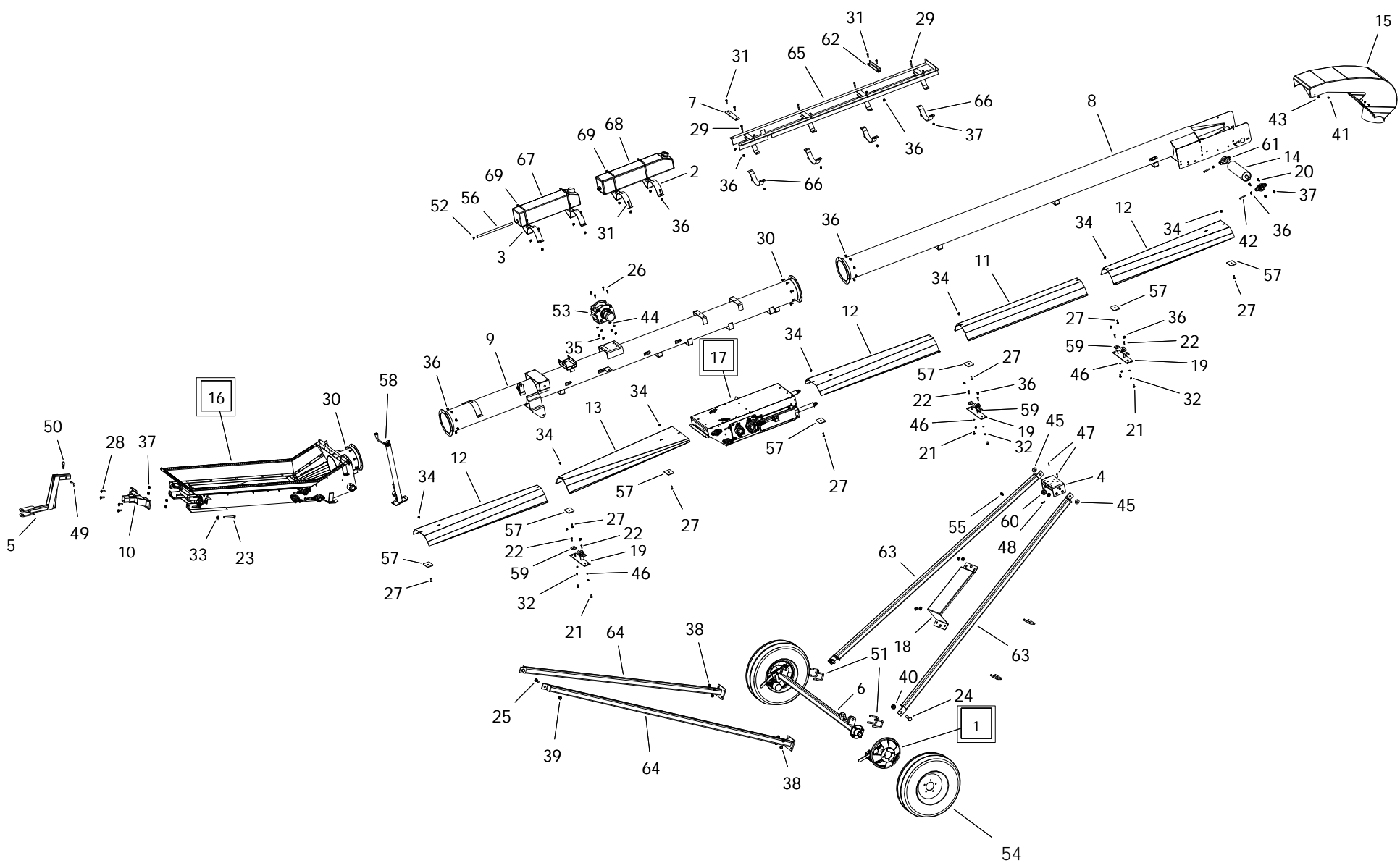
FRONT DRIVE PTO KIT 15 SERIES (15592230)



Note: Front PTO Kit (15592230) does not include item # 2, 8

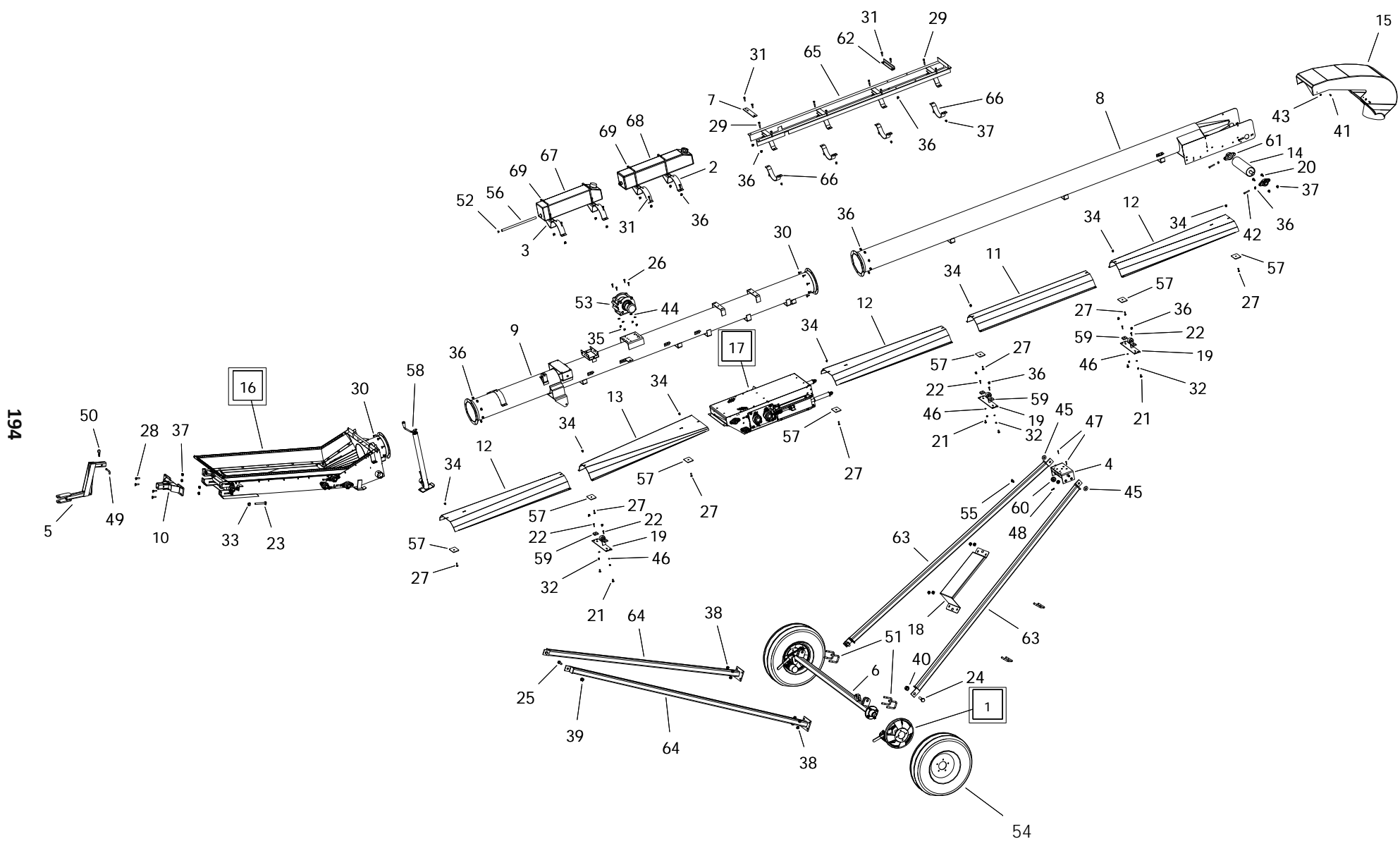
FRONT DRIVE PTO KIT 15 SERIES (15592230)

ITEM	PART NO.	DESCRIPTION
1	01010002	BREATHER -SWING AWAY
2	15590020	S-DRIVE ASM W/PINCH
3	13030017	CLEVIS
4	13030064	13/15 ADJUSTABLE CLEVIS
5	13030065	15 SWING ADJUSTABLE TONGUE
6	13040011	PTO GUARD SWING
7	13090019	SWING PTO CRADLE
8	15020040	BT HOPPER SECTION 10' WITH SD BKTS
9	15040009	COUPLING GUARD
10	15041038	SHAFT GUARD(FL-208)
11	15090067	GEARBOX MOUNT PLATFORM
12	15090071	SWING GEARBOX SIDE MT (SD)
13	15090072	SWING GEARBOX SIDE MT (GBOX)
14	15591000	GBOX 90 1:1 CW/CW 1-1/2 4190 W/OIL
15	15591002	GBOX 90 1:1 CW/CCW 1-1/2 4190 W/OIL
16	15591003	GBOX 90 1.5:1SFTMT 1-1/2 5190 W/OIL
17	20040008	GUARD 6190GB FLIP-UP
18	20092097	SWING 6190 GBOX SIDE MT (LINK ARM)
19	P0118007	BOLT 1" X 4-1/2" GR8 PLATED
20	P0118131	BOLT 1/4" X 1" GR8 PLATED
21	P0118046	BOLT 3/8" X 1" GR8 PLATED
22	P0118013	BOLT 1/2"X1 1/2" GR.8 PLATED
23	P0118016	BOLT 1/2" X 2" GR8 PLATED
24	P0134026	LOCKNUT-NYLON-3/8" GRADE 8
25	P0134008	LOCKNUT-NYLON-1/2"
26	P0134030	LOCKNUT-NYLON-1" GRADE 8
27	P0151006	FLAT WASHER 1/4"PLATED USS
28	P0151009	FLAT WASHER 3/8"PLATED USS
29	P0151029	FLAT WASHER 1/2"PLATED USS
30	P0152004	LOCK WASHER 1/4"PLATED
31	P0152008	LOCK WASHER 1/2"PLATED
32	P0162001	HITCH PIN 1/2" X 3" PLATED
33	P0162003	HITCH PIN 1" X 3-1/2" PLATED
34	P0163001	HAIR PIN 3/16" X 3-1/4"
35	P0167002	SPRING PIN 3/8" X 2"
36	P0311003	CHAIN FOR DRIVE(80-2RX12+CL)
37	P0338122	SPROCKET-H80B12 X 1-1/2
38	P0381003	CV SHAFT-14E W/1-1/2"IMP.END
39	P0381028	PTO SHAFT-1-1/2" BOTH ENDS-105"-35
40	P0391002	KEY 3/8" X 2" LONG
41	P1210022	RECESSED HEAD BUTTON PLUG 1-1/2"
42	P1210033	501 SHAFT GUARD PLUG
43	15030015	15 SERIES HITCH



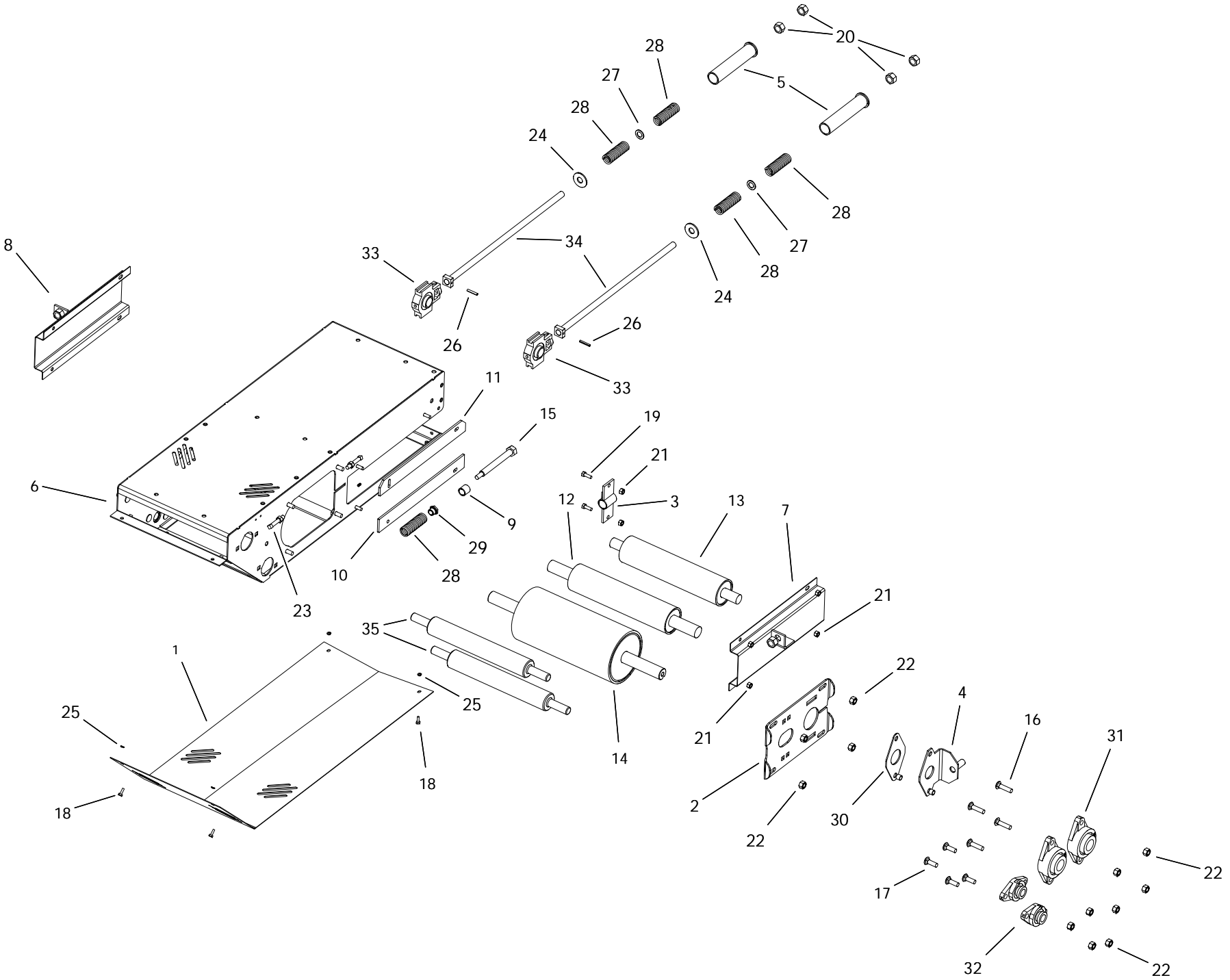
1535 FL FMD-15503525

ITEM	PART NO.	DESCRIPTION
1	13000139	MOVER WHEEL MOVE DRIVE SYS.2.5 AXLE
2	13011038	PLASTIC TANK SIDE MOUNT W 2.5" CLAM
3	13011039	EXT. PLASTIC TANK SIDE MOUNT
4	13030042	13/15 TRACK SLIDER
5	13030096	FL Z-DROP TONGUE
6	13030100	AXLE 30-45-2-1/2" (WITH 8 LUGS)
7	13032094	35/45 SMALL CABLE ATTACH
8	15020050	SPOUT SECTION 15' W/ RTRN MOUNTS
9	15020074	1535FL CENTER - WELD ON BRKTS
10	15030007	HITCH FL (ONE PC)
11	15042101	WEATHER GUARD 5' - 61-1/2"
12	15042102	WEATHER GUARD 5' FLR - 61-1/2"
13	15042103	WEATHER GUARD 5' FLAT - 61-1/2"
14	15070009	HOPPER/SPOUT ROLLER LAGGED
15	P1211501	HOOD-ROUND 15 SERIES (KANBAN)
16	15555540	HOPPER RLLER KIT -FL
17	15590020	S-DRIVE ASM W/PINCH
18	P2513003	INSPECTION STEP BI-MOUNT
19	150100811	WEATHER GUARD MOUNT BAR KIT-POLY
20	P0113004	CARRIAGE BOLT 1/2"X1-1/2"PLATED
21	P0113013	CARRIAGE BOLT 7/16"X1" PLATED
22	P0113020	CARRIAGE BOLT 5/16"X1-1/2"PLATED
23	P0114006	TAP BOLT 3/4 X 5 PLATED
24	P0118004	BOLT 1" X 3" GR8 PLATED
25	P0115111	BOLT 3/4" X 2" GR8 PLATED
26	P0115113	BOLT 3/8" X 1-1/2" GR8 PLATED
27	P0115303	CAPSCREW 3/8X1-1/4FLT HD SOCKET PTD
28	P0118013	BOLT 1/2"X1 1/2" GR.8 PLATED
29	P0118017	BOLT 1/2"X2-1/2"GRADE 8 PLATED
30	P0118076	BOLT 7/16"X1" GRADE 8 PLATED
31	P0118077	BOLT 7/16"X1-1/2" GRADE 8 PLATED
32	P0131017	NUT 5/16" PLATED GRADE 8
33	P0131019	NUT 3/4" PLATED GRADE 8
34	P0134026	LOCKNUT-NYLON-3/8" GRADE 8
35	P0134026	LOCKNUT-NYLON-3/8" GRADE 8
36	P0134007	LOCKNUT-NYLON-7/16"
37	P0134008	LOCKNUT-NYLON-1/2"
38	P01340101	LOCKNUT-NYLON-5/8" GRADE 8
39	P0134029	LOCKNUT-NYLON-3/4" GRADE 8
40	P0134030	LOCKNUT-NYLON-1" GRADE 8
41	P0141002	TEK SCREW 1/4"X1"
42	P0145002	SET SCREW-7/16"X2-1/2"SQ.HD.
43	P0151006	FLAT WASHER 1/4"PLATED USS
44	P0151009	FLAT WASHER 3/8"PLATED USS
45	P0151026	FLAT WASHER 3/4"SAE
46	P0152010	LOCK WASHER 5/16"PLATED



1535 FL FMD-15503525

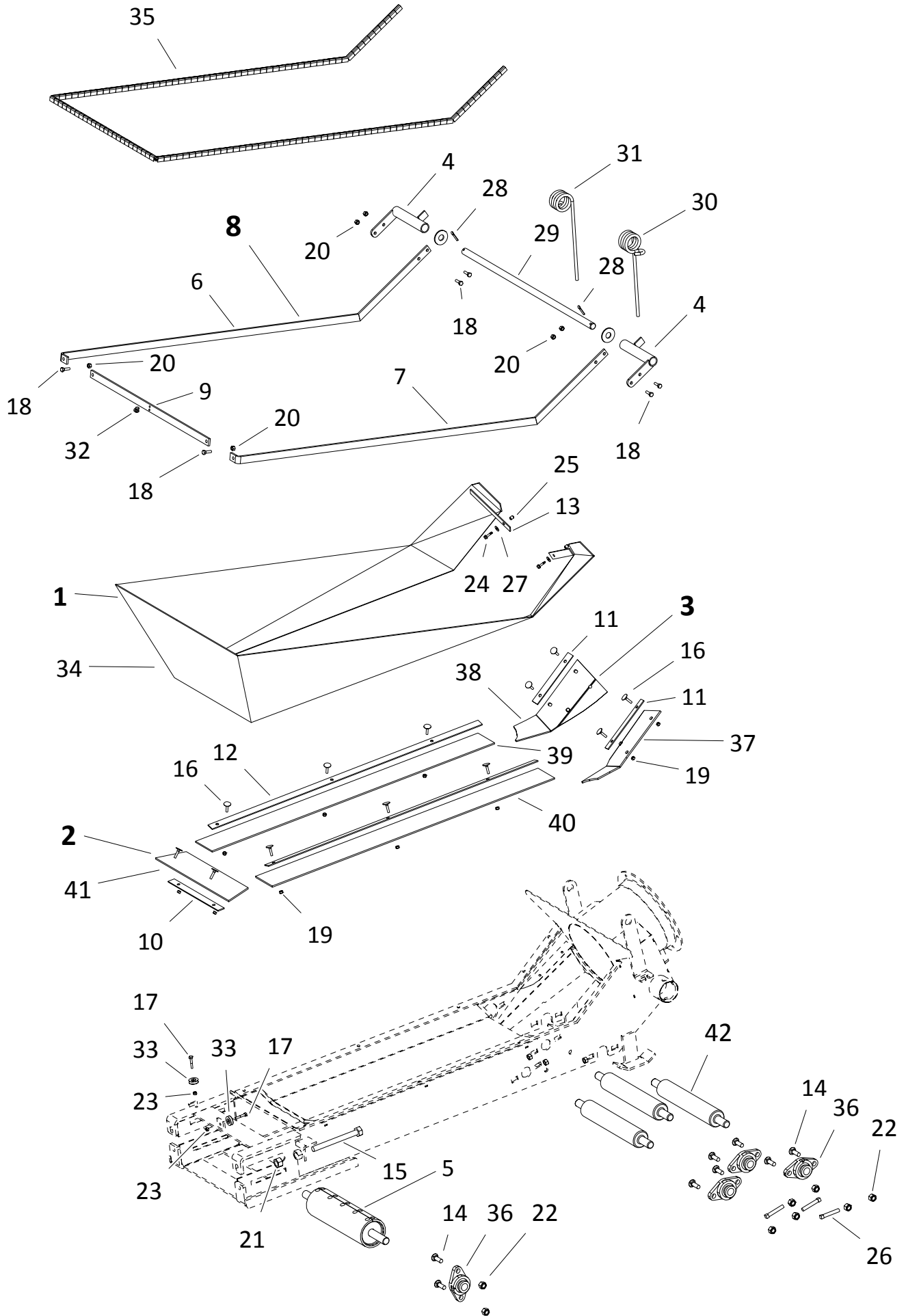
ITEM	PART NO.	DESCRIPTION
47	P0161001	Cotter Pin 1/4 x 2
48	P0161002	COTTER PIN 5/32X1-1/2" PLATED
49	P0162001	HITCH PIN 1/2" X 3" PLATED
50	P0163001	HAIR PIN 3/16" X 3-1/4"
51	P0183003	U-BOLT 2-1/2" X 2-1/2" (5/8) PLATED
52	P0184033	WIRE HOSE CLAMP .500"
53	P0217634B	HYDRAULIC WINCH KIT
54	P0614301	TIRE ASSEMBLY-15"X4.5"X4BOLT
55	P0712105	CABLE CLAMP-5/16" GALV.
56	P0831008	FUEL LINE-1/4"ID
57	P1010001	UNI-MOUNT PLATE CAST
58	P1012010	JACK-1000LB ROUND JACK (15" EXT)
59	P1210030	BELT GUIDE BLOCK
60	P1211305	ROLLER 2" NYLON
61	P1711001	FLANGE UNIT-1-1/2"-SAFL208-24
62	13032125	BOLT ON ANGLE
63	13030053	1330TD/1335FL Upright Arms
64	13030102	AXLE ARM 30/35TD/45-2-1/2"
65	13031020	13/15 4 BAND TRACK
66	P2513202P	2" U-CLAMP -PAINTED
67	P021200051	GAS TANK W/CAP W/FITTING-22L
68	P029900052-3	TANK, 22L, BLK W/FTG, CAP HOSE
69	P029900216	GEAR CLAMP 32"
70	15570352	1535FL 85'
71	P07111118	CABLE-5/16" (26')
72	P1243001	CABLE TIE 14" 120 LB
73	P2227989	MANUAL HOLDER AND LID
74	P0712114	THROTTLE CONTROL 15'
75	P0712102	CHOKE CABLE-15' LOCKING



S-DRIVE (15590020)

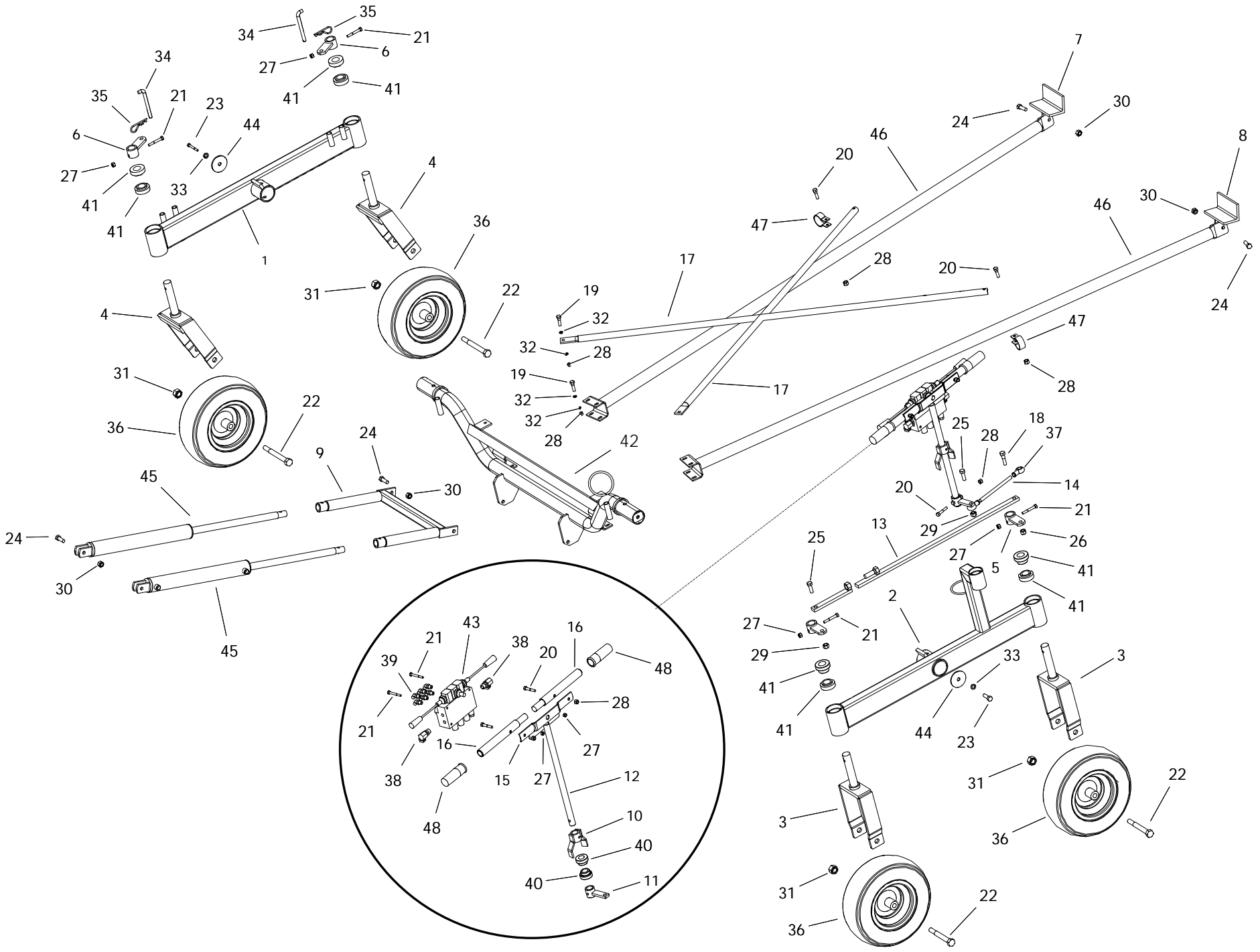
ITEM	PART NO.	DESCRIPTION
1	15040001	PINCH SD BOTTOM GUARD
2	15060061	SD COVER PLATE 6-1/2"ROLLER
3	15060079	S-DRIVE TAKEUP BRACKET
4	15060082	PINCH TIGHTENER PLATE
5	15060504	PRETENSIONER 1550
6	15061045	S-DRIVE PINCH
7	15061046	SIDE GUARD LH
8	15061047	SIDE GUARD RH
9	15062010	PINCH PIPE
10	15062179	S-DRIVE SLIDER BOLT PLATE - BOTTOM
11	15062180	S-DRIVE SLIDER BOLT PLATE - TOP
12	15070019	3-1/2"TAKE-UP (PINCH)
13	15070020	3-1/2"TAKE-UP 19.5"SHAFT
14	15070030	DRIVE ROLLER-6-1/2" W/EXT SHAFT
15	P0113000	SPRING TENSION BOLT
16	P0113001	CARRIAGE BOLT 1/2"X2" PLATED
17	P0113004	CARRIAGE BOLT 1/2"X1-1/2"PLATED
18	P0118033	BOLT 1/4" X 3/4" GR8 PLATED
19	P0118046	BOLT 3/8" X 1" GR8 PLATED
20	P0131019	NUT 3/4" PLATED GRADE 8
21	P0134026	LOCKNUT-NYLON-3/8" GRADE 8
22	P0134008	LOCKNUT-NYLON-1/2"
23	P0145002	SET SCREW-7/16"X2-1/2"SQ.HD.
24	P0151015	FLAT WASHER 3/4"PLATED USS
25	P0152004	LOCK WASHER 1/4"PLATED
26	P0167001	SPRING PIN 1/4" X 1-1/2"
27	P0351015	MACHINERY BUSH 3/4"X1-1/4"-14G PTD.
28	P0511008	SPRING-LD-1300 SERIES
29	P0820129	BUSHING BRASS FLANGED
30	P1210102	BELT TIGHTENER SLIDER PLATE FL208
31	P1711001	FLANGE UNIT-1-1/2"-SAFL208-24
32	P1711004	FLANGE UNIT-1"-SAFL205-16
33	P1721001	TAKE-UP UNIT-1-1/4"-T206-20
34	P2515006	15 S-DRIVE TIGHTENER BOLT
35	P20315001	S-DRIVE RETURN-1" ROLLER

HOPPER (15000303P)



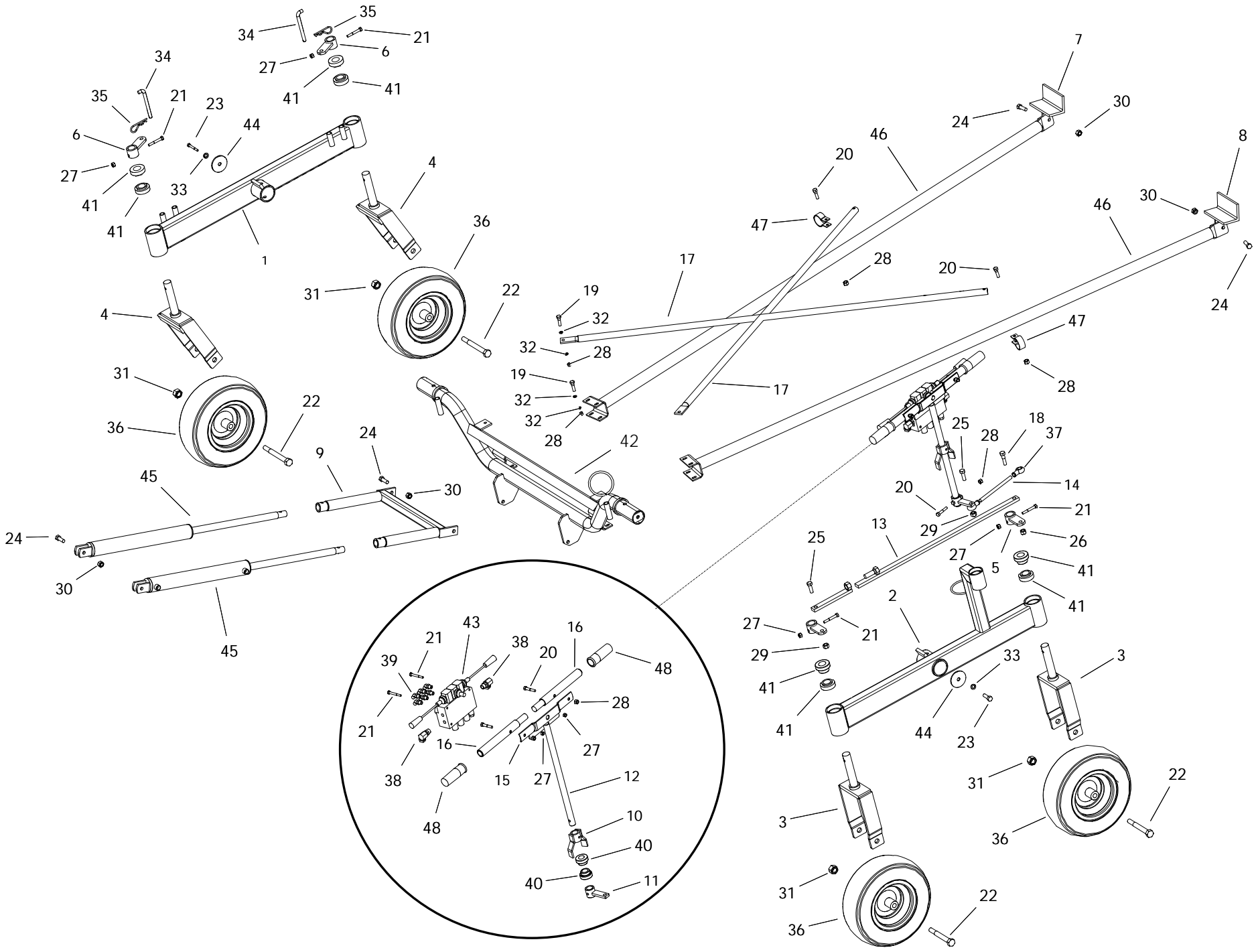
HOPPER (15000303P)

ITEM	PART NO.	DESCRIPTION
1	15000303P	HOPPER -COLLAPSABLE 1515
2	15000307P	HOPPER LINER KIT 1515LP
3	15000308P	HOPPER -FLASHING ONLY 1515LP
4	15050010	PIVOT SHAFT RIGHT
5	15070012	TAKE-UP ROLLER-1-1/4" LAGGED
6	15100001	UPPER CLOTH FRAME TR RIGHT
7	15100002	UPPER CLOTH FRAME TR LEFT
8	15100021	HOPPER CLOTH FRAME-UPPER 1515LP
9	15102052	UPPER CLOTH FRAME TR FRONT
10	15102058	LOWER CLOTH FRAME TR FRONT
11	15102059	LOWER CLOTH FRAME TR TRANSITION
12	15102060	LOWER CLOTH FRAME TR SIDE
13	15102061	LOWER CLOTH FRAME TR BACK
14	P0113004	CARRIAGE BOLT 1/2"X1-1/2"PLATED
15	P0114007	TAP BOLT 3/4 X 7 PLATED
16	P0116001	ELEVATOR BOLT 1/4"X1-1/4"
17	P0118026	BOLT 1/4" X 1-1/2" GR8 PLATED
18	P0118061	BOLT 5/16" X 1" GR8 PLATED
19	P0131016	NUT 1/4" PLATED GRADE 8
20	P0131017	NUT 5/16" PLATED GRADE 8
21	P0131112	NUT 3/4"PLATED
22	P0134008	LOCKNUT-NYLON-1/2"
23	P0134023	LOCKNUT-NYLON-1/4" GR8
24	P0141002	TEK SCREW 1/4"X1"
25	P0145001	VINYL SCREW CAP
26	P0145002	SET SCREW-7/16"X2-1/2"SQ.HD.
27	P0151006	FLAT WASHER 1/4"PLATED USS
28	P0161003	COTTER PIN 3/16"X1-1/2"PLATED
29	P0162007	HOPPER PIVOT SHAFT-13/15
30	P0521001	HOPPER SPRING-L
31	P0521002	HOPPER SPRING-R
32	P0712104	CABLE CLAMP-1/8" GALV.
33	P0713104	CABLE SHEAVE-1-1/4" W/BEARING
34	P1621010	HOPPER CANVAS 1515LP
35	P1641015	TRIM LOCK
36	P1711002	FLANGE UNIT-1-1/4"-SAFL206-20
37	P11139006	HOPPER FLASHING TRANSITION LEFT FL
38	P11139007	HOPPER FLASHING TRANSITION RIGHT FL
39	P19159008	FL HOPPER FLASHING LH
40	P19159009	FL HOPPER FLASHING RH
41	P19159012	FRONT HOPPER FLASHING
42	P20315002	TRANSITION ROLLER



WHEEL MOVE

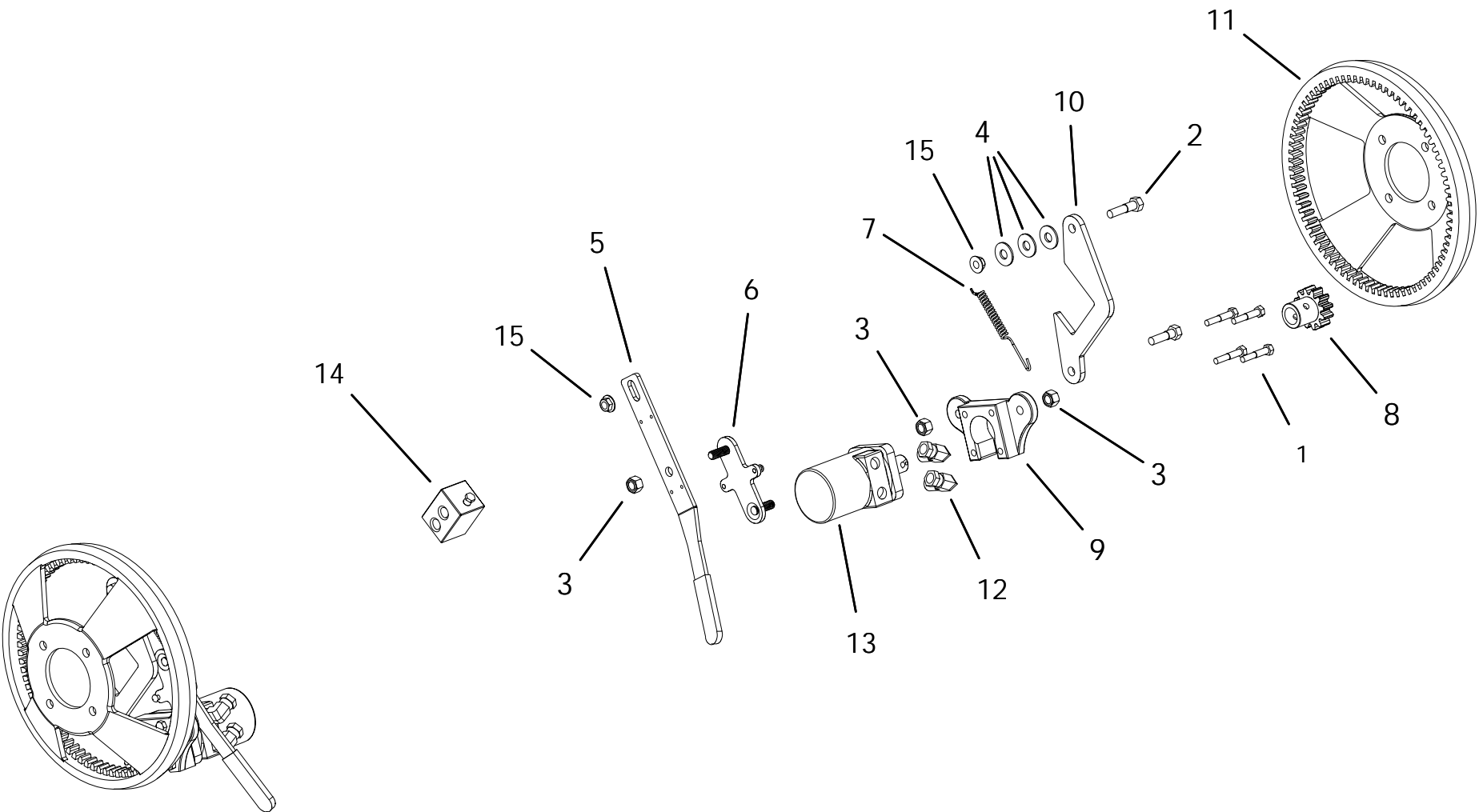
ITEM	PART NO.	DESCRIPTION
1	13120003	WALKING BEAM
2	13120004	WALKING BEAM-STEERING
3	13120005	FORK-STRAIGHT
4	13120006	FORK-ANGLED
5	13120007	STEERING PIPE
6	13120008	LOCKING PIPE
7	13120012	WHEEL MOVE AXLE TAB RIGHT 35/45
8	13120013	WHEEL MOVE AXLE TAB LEFT 35/45
9	13120016	DOUBLE RAM EXTENSION 35/45 FL
10	13120023	STEERING STOP
11	13120024	HD CASTOR RETAINER C/W YOKE LINK AR
12	13120125	STEERING WELDMENT
13	13122023	STEERING LINK ARM
14	13122076	LINKAGE - THREADED 1/2X8 ROD
15	13122078	HANDLE JOINT
16	13122087	WM STEERING HANDLE PIPE
17	15122031	71 CROSS BRACE PIPE
18	P0118029	BOLT 1/4" X 2" GR8 PLATED
19	P0115113	BOLT 3/8" X 1-1/2" GR8 PLATED
20	P0118050	BOLT 3/8" X 2" GR8 PLATED
21	P0118063	BOLT 5/16" X 2-1/2" GR8 PLATED
22	P0118133	BOLT 3/4" X 7" GR8 PLATED
23	P0118013	BOLT 1/2"X1 1/2" GR.8 PLATED
24	P0118016	BOLT 1/2" X 2" GR8 PLATED
25	P0118077	BOLT 7/16"X1-1/2" GRADE 8 PLATED
26	P0134023	LOCKNUT-NYLON-1/4" GR8
27	P0134027	LOCKNUT-NYLON-5/16" GRADE 8
28	P0134026	LOCKNUT-NYLON-3/8" GRADE 8
29	P0134007	LOCKNUT-NYLON-7/16"
30	P0134008	LOCKNUT-NYLON-1/2"
31	P0134029	LOCKNUT-NYLON-3/4" GRADE 8
32	P0151009	FLAT WASHER 3/8"PLATED USS
33	P0152008	LOCK WASHER 1/2"PLATED
34	P0162004	HITCH PIN 1/2" X 5" PLATED
35	P0163001	HAIR PIN 3/16" X 3-1/4"
36	P0614306	TIRE & RIM 480X8 LRC
37	P0631010	TIE ROD END BALL JOINT
38	P0820010	SWIVEL-8MORBX1/2"FPT/90D
39	P0820611	ELBOW-6 ORBX3/8"JIC M 45
40	P1742001	BEARING-1"(SAA205-16)
41	P1742002	BEARING-1-1/4"
42	P2214123	WHEEL FRAME ASSEMBLY COMPLETE
43	P08610091	VALVE-3 SPL-W/2 HANDLES
44	P11130185	AXLE END CAP
45	P020200308	HYDRAULIC CYLINDER
46	P020200319-76	TRANSPORT FRAME PIPE-76"



WHEEL MOVE

ITEM	PART NO.	DESCRIPTION
47	P020200321	CROSS BRACE CLAMP BAND
48	P020200344	HANDLE GRIP 1-1/4"

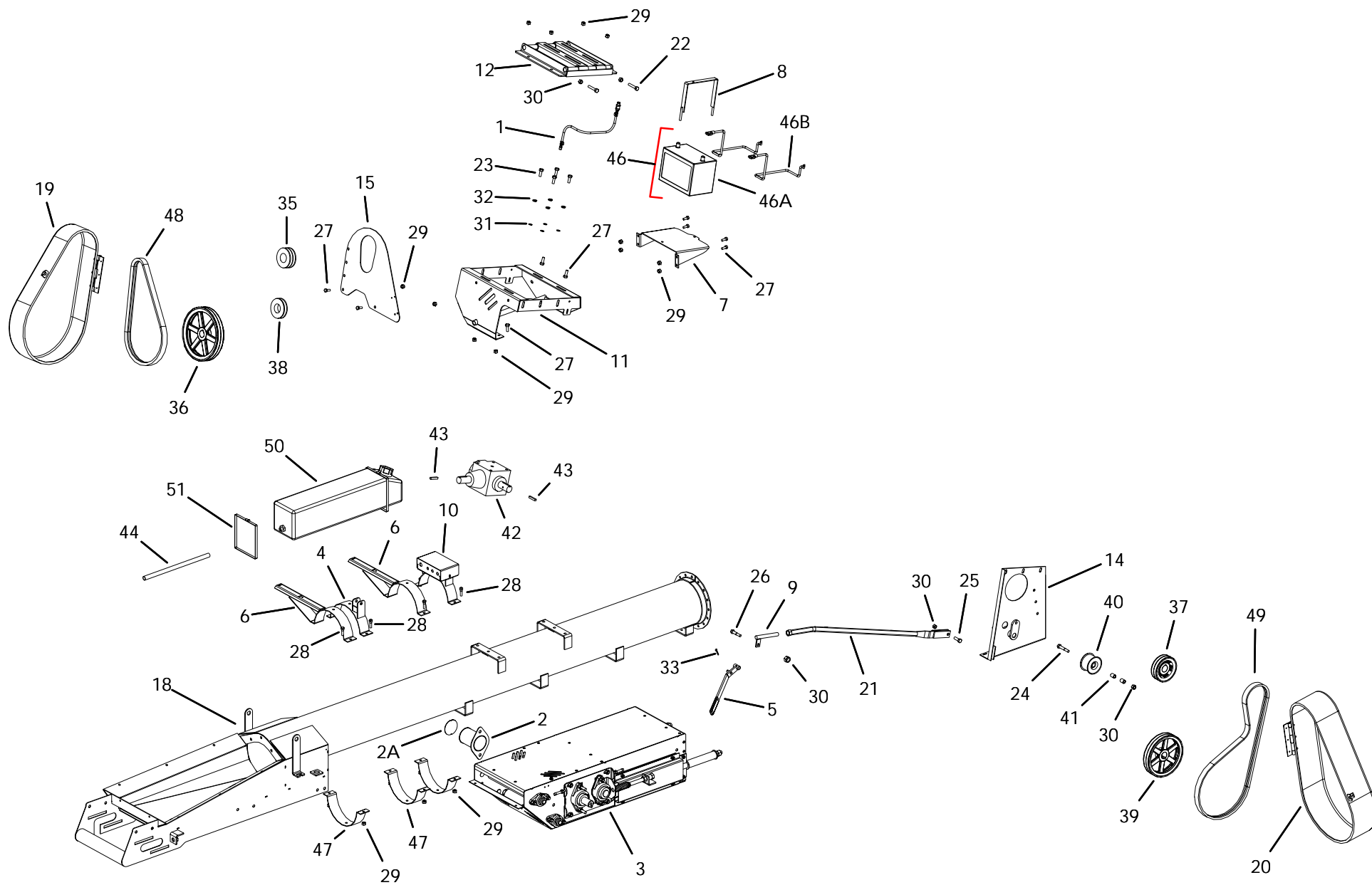
WHEEL MOVE DRIVE SYSTEM (13000139)



WHEEL MOVE DRIVE SYSTEM (13000139)

ITEM	PART NO.	DESCRIPTION
1	P0118050	BOLT 3/8" X 2" GR8 PLATED
2	P0118016	BOLT 1/2" X 2" GR8 PLATED
3	P0134008	LOCKNUT-NYLON-1/2"
4	P0151029	FLAT WASHER 1/2"PLATED USS
5	P020200007	HANDLE WITH GRIP
6	15121033	PAINTED HANDLE LINK ARM
7	P020200009	HANDLE SPRING
8	P020200333	PINION GEAR-1"ID 3/8"HOLE
9	P020200338A	MOTOR ARM -EYEGLOSS PIECE, DRILLED
10	P020200340	AXLE CAP FOR O/CENTER UNPAINTED
11	P0615315	RING GEAR - 4 BOLT C/W MOUNT PLATE
12	P0820013	SWIVEL-1/2MX3/8F90
13	P0841012	HYD MOTOR-6.3 (5.9H) RS-1/2" HOLE
14	P0861201	CUSHION BLOCK, COMPLETE
15	P0134108	LOCKNUT-TENSILOCK-1/2"
16	P0821127	SWIVEL-3/8"-STR.
17	P0163011	HAIR PIN 5/32X2-15/16 (66326)
18	P0113004	CARRIAGE BOLT 1/2"X1-1/2"PLATED

1535FL GAS DIRECT DRIVE KIT (15593120)

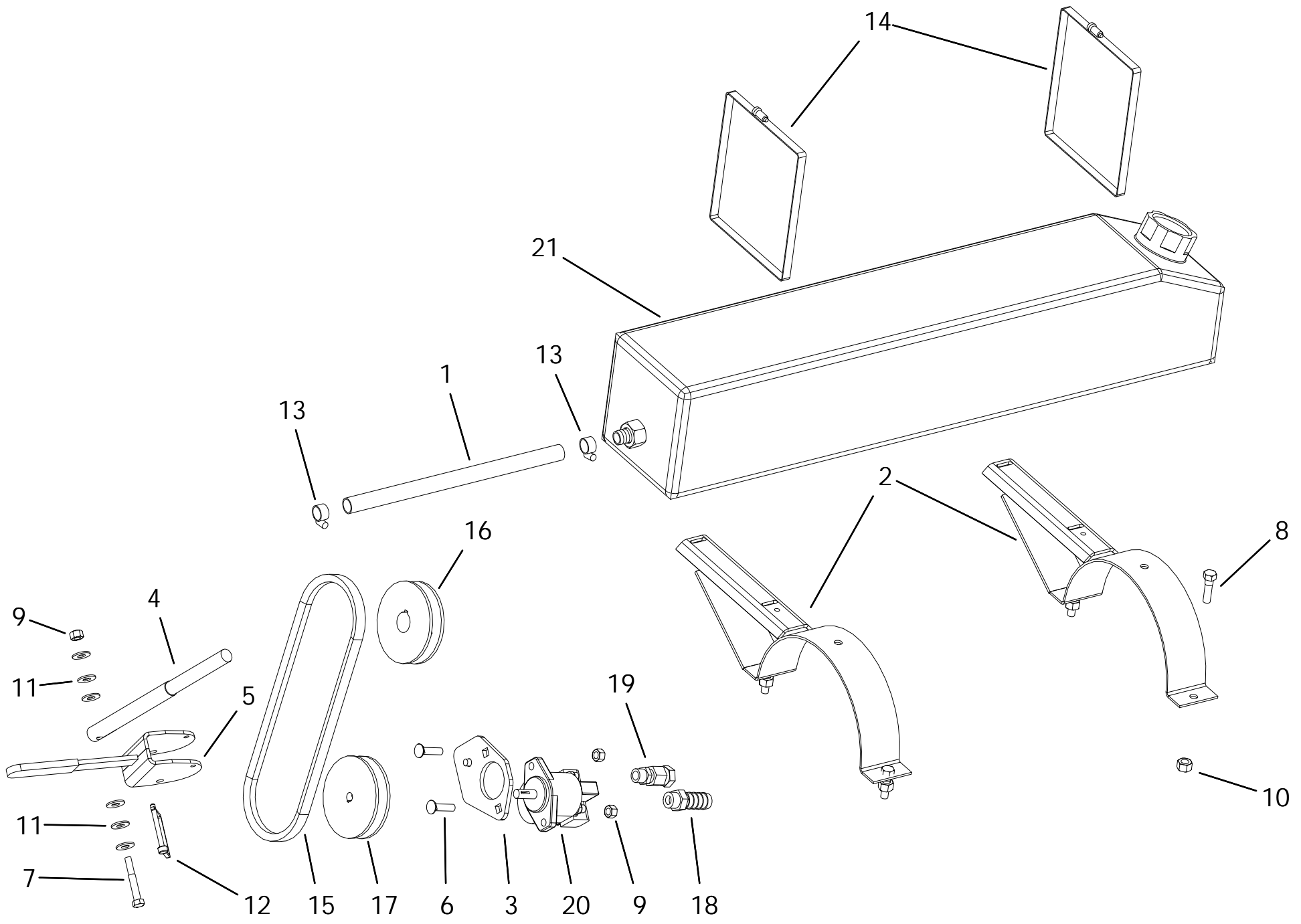


Note: Gas direct drive Kit (15593120) does not include item # 18, 35 & 46.

1535FL GAS DIRECT DRIVE KIT (15593120)

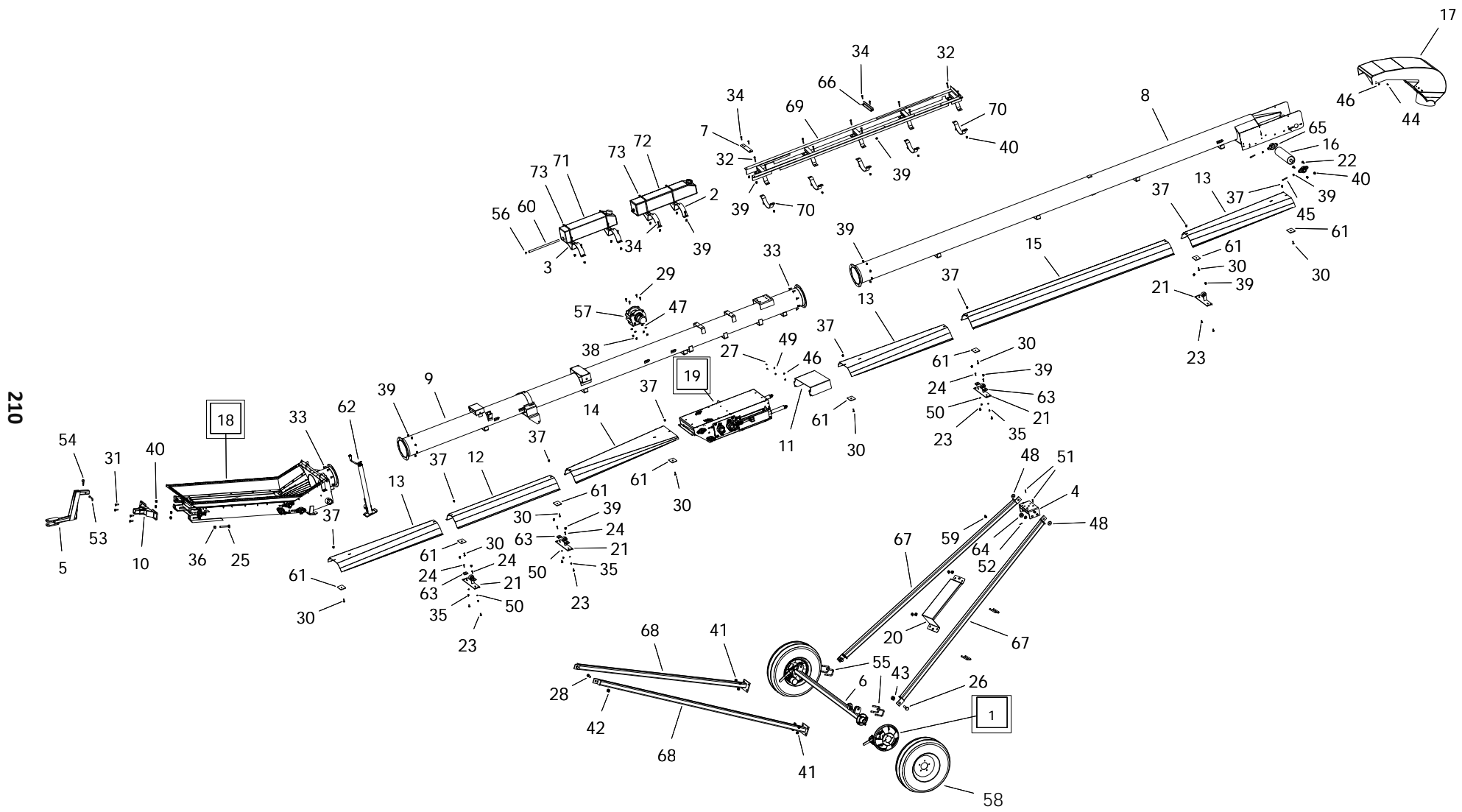
ITEM	PART NO.	DESCRIPTION
1	01010003	BREATHER DIRECT DRIVE
2	24041038	SHAFT GUARD(FL-210)
3	15590020	S-DRIVE ASM W/PINCH
4	13010048	MOTOR MT OVERCENTER ANCHOR BKT
5	13010054	MOTOR MT OVERCENTER HANDLE
6	13011039	EXT. PLASTIC TANK SIDE MOUNT
7	13012108	MOTOR MOUNT BATTERY MOUNT
8	13060054	BATTERY CLAMP
9	13060074	OVERCENTER ADJUSTER
10	13060080	DIRECT DRV CONTROL BOX
11	13060102	MOTOR MOUNT
12	13060103	SLIDER MOUNT
14	13060105	MOTOR MOUNT BACK PLATE
15	13060107	ENGINE GUARD BACK
18	15020040	BT HOPPER SECTION 10' WITH SD BKTS
19	15040055	PINCH GUARD SMALL ASSEMBLED
20	15040056	PINCH GUARD MED ASSEMBLED
21	24060084	24 MOTOR MT OVERCENTER PUSHROD
22	P0114005	TAP BOLT 1/2 X 2-1/2 GR.8 PLATED
23	P0115020	BOLT 1/2" X 1-1/4" GR5 PLATED
24	P0118130	BOLT 1/2" X 4" GR8 PLATED
25	P0118013	BOLT 1/2"X1 1/2" GR.8 PLATED
26	P0118017	BOLT 1/2"X2-1/2"GRADE 8 PLATED
27	P0118076	BOLT 7/16"X1" GRADE 8 PLATED
28	P0118077	BOLT 7/16"X1-1/2" GRADE 8 PLATED
29	P0134007	LOCKNUT-NYLON-7/16"
30	P0134008	LOCKNUT-NYLON-1/2"
31	P0151029	FLAT WASHER 1/2"PLATED USS
32	P0152008	LOCK WASHER 1/2"PLATED
33	P0161003	COTTER PIN 3/16"X1-1/2"PLATED
35	P0328018	PULLEY-DBL-BK-4"H
36	P0328024	PULLEY-DBL-12" W/1-1/2"BORE
37	P0328025	PULLEY-DBL-6" W/1-1/2"BORE
39	P0328062	PULLEY-DBL-10" W/1-1/2"BORE
40	P0328910	IDLER-FLAT-4"TRPL 2-7/16"WIDE
41	P0351019	BUSHING 3/4"ODX1/2"IDX1"BRONZE
42	P0361004	OIL-GEAR LUBE 80W90
43	P0391002	KEY 3/8" X 2" LONG
44	P0831008	FUEL LINE-1/4"ID
46	P0951013	BATTERY 420CCA
47	P2219801P	U-CLAMP HANGER-10"X2-1/2"-BLACK
48	P03210531	BELT 2B53 BANDED
49	P03210651	BELT 2B65 BANDED
50	P021200051	GAS TANK W/CAP W/FITTING-22L
51	P029900216	GEAR CLAMP 32"

WET KIT GAS (1559408X) - 45



WET KIT GAS (1559408X) - 45

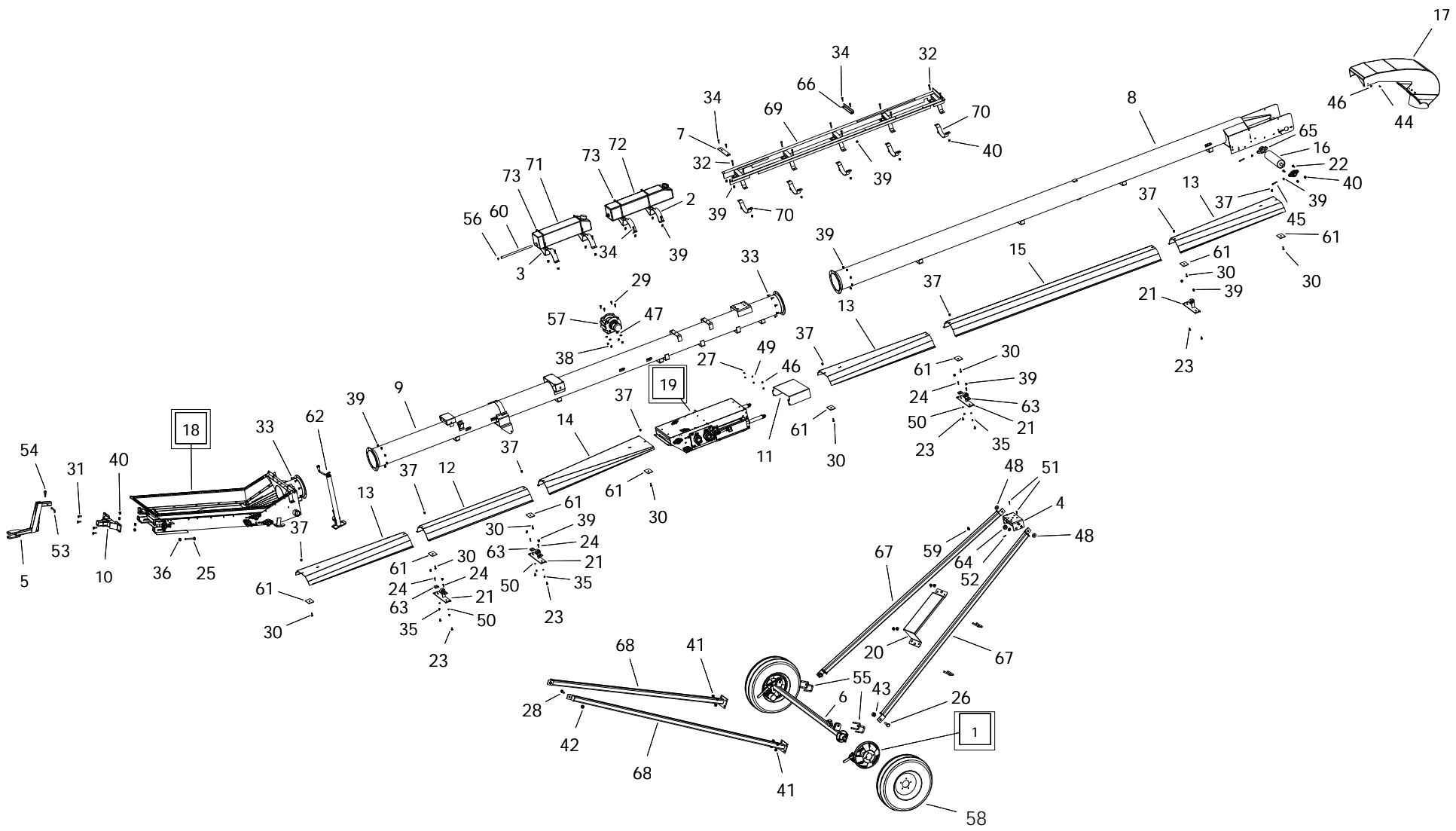
ITEM	PART NO.	DESCRIPTION
1	01010188	HOSE 3/4(9')-HOSE-HOSE
2	13011038	PLASTIC TANK SIDE MOUNT W 2.5" CLAM
3	13060104	PUMP MOUNT -PINCH DRIVE
4	13100028	PIVOT HANDLE SHAFT
5	13100035	PIVOT HANDLE
6	P0113018	CARRIAGE BOLT 3/8"X1 1/2"PLATED
7	P0118051	BOLT 3/8" X 2-1/2" GR8 PLATED
8	P0118077	BOLT 7/16"X1-1/2" GRADE 8 PLATED
9	P0134026	LOCKNUT-NYLON-3/8" GRADE 8
10	P0134007	LOCKNUT-NYLON-7/16"
11	P0151009	FLAT WASHER 3/8"PLATED USS
12	P0163010	QUICK PIN 1/4X2-1/2
13	P0184006	HOSE CLAMP-3/4"(HS12)
14	P029900216	GEAR CLAMP 32"
15	P0321035	BELT B35
16	P0328905	PULLEY-4-1/2"X1-1/8"
17	P0328906	PULLEY-4-1/2"X1/2"
18	P0820702	HOSE BARB-10MORBX3/4"HOSE
19	P0821130	SWIVEL-8 ORBX1/2"FPS
20	P0841033	PUMP-SMALL
20	P0841033S	PUMP-0.375 CW/END PORTS SEAL
21	P029900052-3	TANK, 22L, BLK W/FTG, CAP HOSE



210

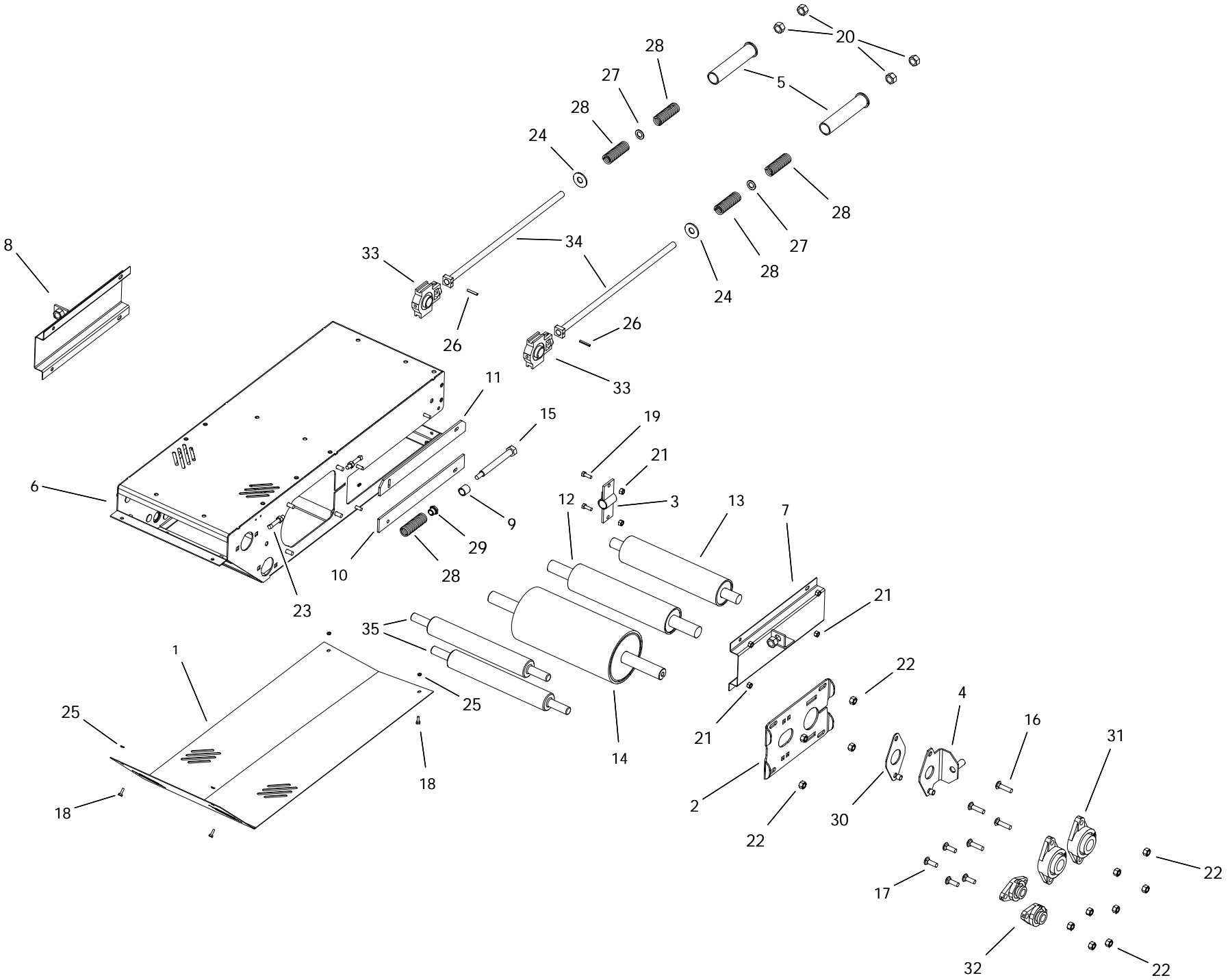
1545 FL FMD-15504525

ITEM	PART NO.	DESCRIPTION
1	13000139	MOVER WHEEL MOVE DRIVE SYS.2.5 AXLE
2	13011038	PLASTIC TANK SIDE MOUNT W 2.5" CLAM
3	13011039	EXT. PLASTIC TANK SIDE MOUNT
4	13030042	13/15 TRACK SLIDER
5	13030096	FL Z-DROP TONGUE
6	13030100	AXLE 30-45-2-1/2" (WITH 8 LUGS)
7	13032094	35/45 SMALL CABLE ATTACH
8	15020047	SPOUT SECTION 20' W/RTRN MOUNTS
9	15020062	1545FL CENTER - WELD ON BRKTS
10	15030007	HITCH FL (ONE PC)
11	15040040	PINCH DRIVE FRONT GUARD
12	15042101	WEATHER GUARD 5' - 61-1/2"
13	15042102	WEATHER GUARD 5' FLR - 61-1/2"
14	15042103	WEATHER GUARD 5' FLAT - 61-1/2"
15	15042121	WEATHER GUARD 10' - 121-1/2"
16	15070009	HOPPER/SPOUT ROLLER LAGGED
17	P1211501	HOOD-ROUND 15 SERIES (KANBAN)
18	15555540	HOPPER RLLER KIT -FL
19	15590020	S-DRIVE ASM W/PINCH
20	P2513003	INSPECTION STEP BI-MOUNT
21	150100811	WEATHER GUARD MOUNT BAR KIT-POLY
22	P0113004	CARRIAGE BOLT 1/2"X1-1/2"PLATED
23	P0113013	CARRIAGE BOLT 7/16"X1" PLATED
24	P0113020	CARRIAGE BOLT 5/16"X1-1/2"PLATED
24	P0118077	BOLT 7/16"X1-1/2" GRADE 8 PLATED
25	P0114006	TAP BOLT 3/4 X 5 PLATED
26	P0118004	BOLT 1" X 3" GR8 PLATED
27	P0118033	BOLT 1/4" X 3/4" GR8 PLATED
28	P0115111	BOLT 3/4" X 2" GR8 PLATED
29	P0115113	BOLT 3/8" X 1-1/2" GR8 PLATED
30	P0115303	CAPSCREW 3/8X1-1/4FLT HD SOCKET PTD
31	P0118013	BOLT 1/2"X1 1/2" GR.8 PLATED
32	P0118017	BOLT 1/2"X2-1/2"GRADE 8 PLATED
33	P0118076	BOLT 7/16"X1" GRADE 8 PLATED
35	P0131017	NUT 5/16" PLATED GRADE 8
36	P0131019	NUT 3/4" PLATED GRADE 8
37	P0134026	LOCKNUT-NYLON-3/8" GRADE 8
38	P0134026	LOCKNUT-NYLON-3/8" GRADE 8
39	P0134007	LOCKNUT-NYLON-7/16"
40	P0134008	LOCKNUT-NYLON-1/2"
41	P01340101	LOCKNUT-NYLON-5/8" GRADE 8
42	P0134029	LOCKNUT-NYLON-3/4" GRADE 8
43	P0134030	LOCKNUT-NYLON-1" GRADE 8
44	P0141002	TEK SCREW 1/4"X1"
45	P0145002	SET SCREW-7/16"X2-1/2"SQ.HD.
46	P0151006	FLAT WASHER 1/4"PLATED USS



1545 FL FMD-15504525

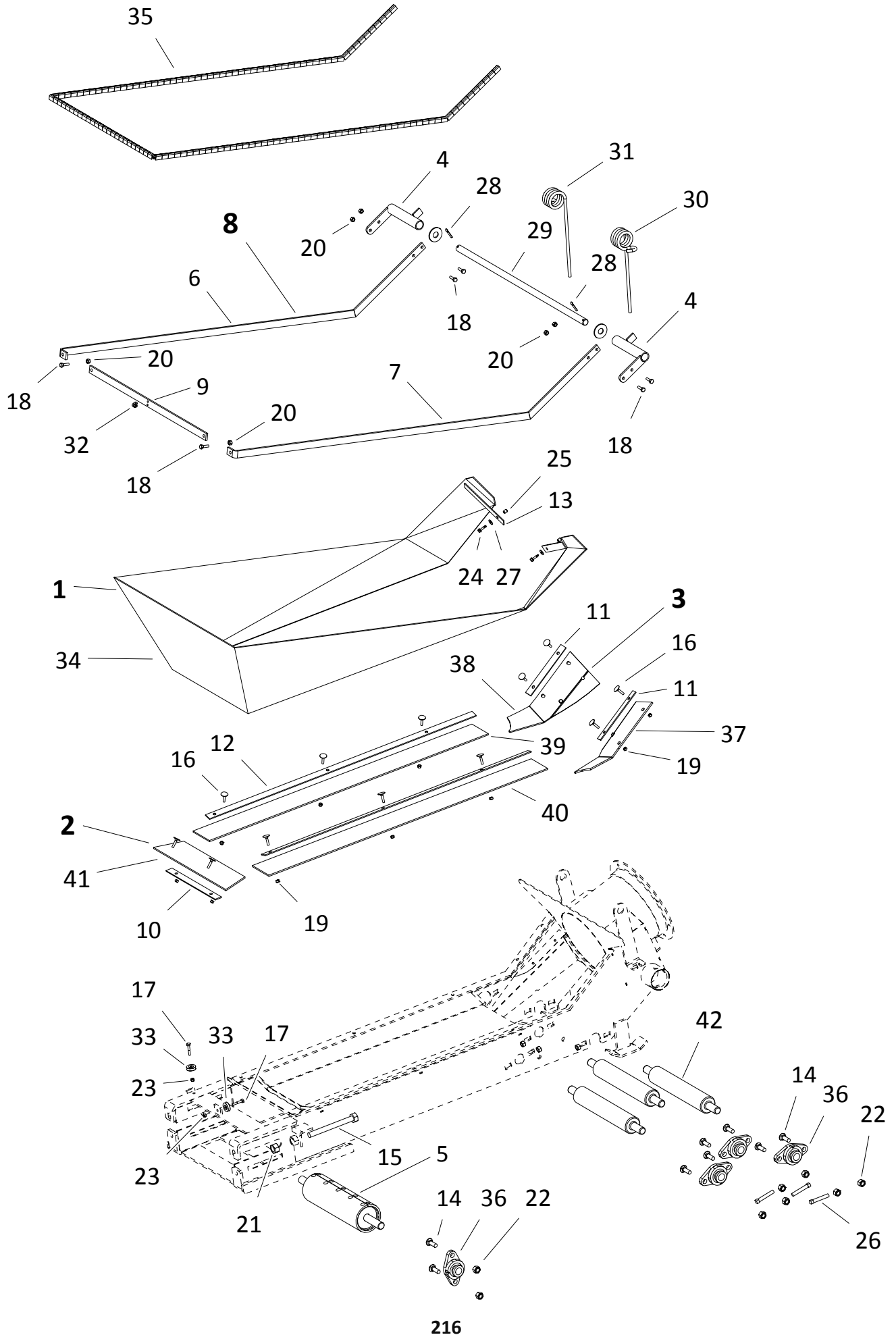
ITEM	PART NO.	DESCRIPTION
47	P0151009	FLAT WASHER 3/8"PLATED USS
48	P0151026	FLAT WASHER 3/4"SAE
49	P0152004	LOCK WASHER 1/4"PLATED
50	P0152010	LOCK WASHER 5/16"PLATED
51	P0161001	Cotter Pin 1/4 x 2
52	P0161002	COTTER PIN 5/32X1-1/2"PLATED
53	P0162001	HITCH PIN 1/2" X 3" PLATED
54	P0163001	HAIR PIN 3/16" X 3-1/4"
55	P0183003	U-BOLT 2-1/2" X 2-1/2" (5/8) PLATED
56	P0184033	WIRE HOSE CLAMP .500"
57	P0217634B	HYDRAULIC WINCH KIT
58	P0614301	TIRE ASSEMBLY-15"X4.5"X4BOLT
59	P0712105	CABLE CLAMP-5/16" GALV.
60	P0831008	FUEL LINE-1/4"ID
61	P1010001	UNI-MOUNT PLATE CAST
62	P1012009	JACK-7000LB SQ.TUBE 25" EXT
63	P1210030	BELT GUIDE BLOCK
64	P1211305	ROLLER 2" NYLON
65	P1711001	FLANGE UNIT-1-1/2"-SAFL208-24
66	13032125	BOLT ON ANGLE
67	13030053	1330TD/1335FL Upright Arms
68	13030102	AXLE ARM 30/35TD/45-2-1/2"
69	13031019	55 TRACK
70	P2513202P	2" U-CLAMP -PAINTED
71	P021200051	GAS TANK W/CAP W/FITTING-22L
72	P029900052-3	TANK, 22L, BLK W/FTG, CAP HOSE
73	P029900216	GEAR CLAMP 32"
74	15570452	1545FL 105'
75	P0711118	CABLE-5/16" (26')
76	P1243001	CABLE TIE 14" 120 LB
77	P2227989	MANUAL HOLDER AND LID
78	P0712114	THROTTLE CONTROL 15'
79	P0712102	CHOKE CABLE-15' LOCKING
80	15570452	1545FL 105'



S-DRIVE (15590020)

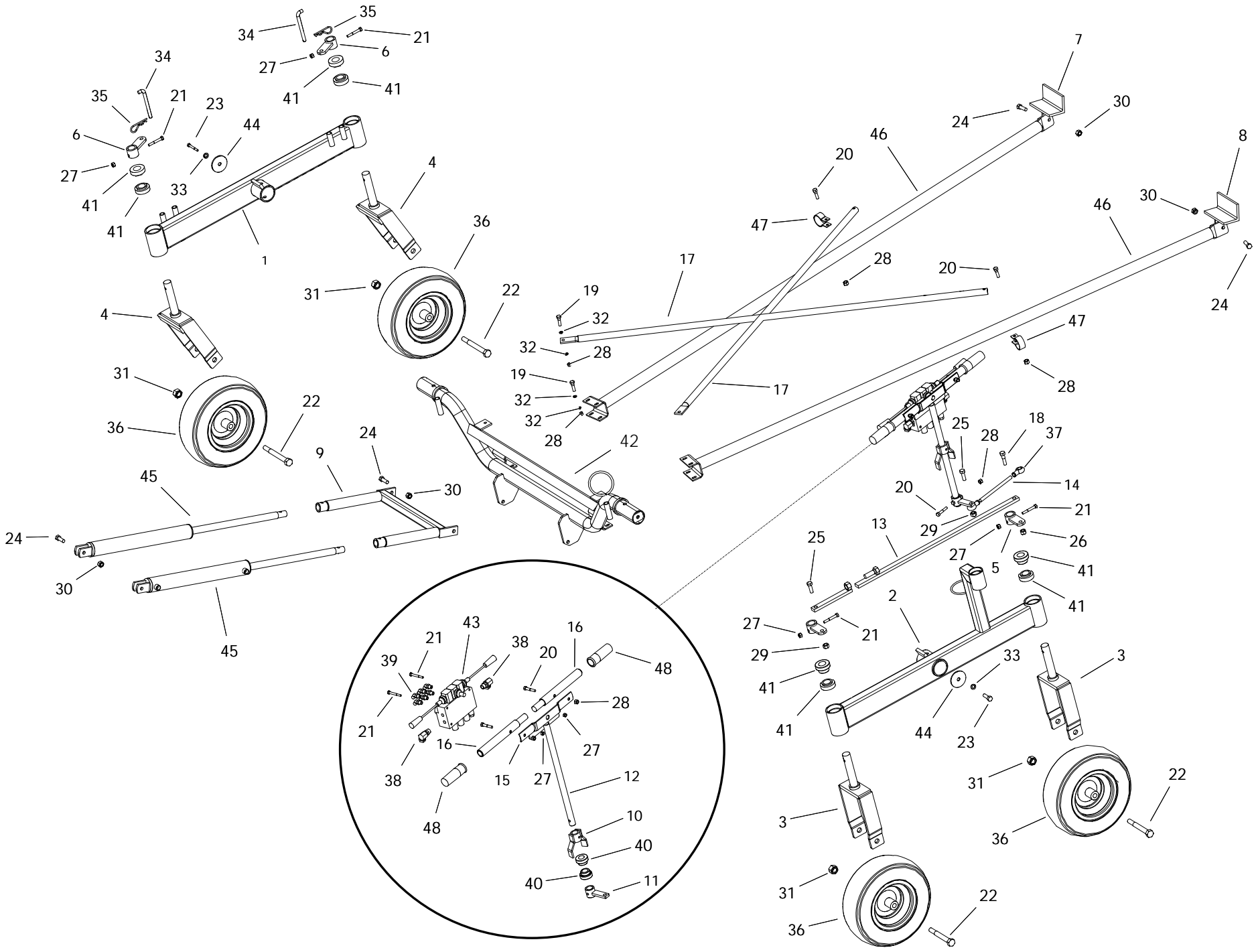
ITEM	PART NO.	DESCRIPTION
1	15040001	PINCH SD BOTTOM GUARD
2	15060061	SD COVER PLATE 6-1/2" ROLLER
3	15060079	S-DRIVE TAKEUP BRACKET
4	15060082	PINCH TIGHTENER PLATE
5	15060504	PRETENSIONER 1550
6	15061045	S-DRIVE PINCH
7	15061046	SIDE GUARD LH
8	15061047	SIDE GUARD RH
9	15062010	PINCH PIPE
10	15062179	S-DRIVE SLIDER BOLT PLATE - BOTTOM
11	15062180	S-DRIVE SLIDER BOLT PLATE - TOP
12	15070019	3-1/2" TAKE-UP (PINCH)
13	15070020	3-1/2" TAKE-UP 19.5" SHAFT
14	15070030	DRIVE ROLLER-6-1/2" W/EXT SHAFT
15	P0113000	SPRING TENSION BOLT
16	P0113001	CARRIAGE BOLT 1/2" X 2" PLATED
17	P0113004	CARRIAGE BOLT 1/2" X 1-1/2" PLATED
18	P0118033	BOLT 1/4" X 3/4" GR8 PLATED
19	P0118046	BOLT 3/8" X 1" GR8 PLATED
20	P0131019	NUT 3/4" PLATED GRADE 8
21	P0134026	LOCKNUT-NYLON-3/8" GRADE 8
22	P0134008	LOCKNUT-NYLON-1/2"
23	P0145002	SET SCREW-7/16" X 2-1/2" SQ. HD.
24	P0151015	FLAT WASHER 3/4" PLATED USS
25	P0152004	LOCK WASHER 1/4" PLATED
26	P0167001	SPRING PIN 1/4" X 1-1/2"
27	P0351015	MACHINERY BUSH 3/4" X 1-1/4"-14G PTD.
28	P0511008	SPRING-LD-1300 SERIES
29	P0820129	BUSHING BRASS FLANGED
30	P1210102	BELT TIGHTENER SLIDER PLATE FL208
31	P1711001	FLANGE UNIT-1-1/2"-SAFL208-24
32	P1711004	FLANGE UNIT-1"-SAFL205-16
33	P1721001	TAKE-UP UNIT-1-1/4"-T206-20
34	P2515006	15 S-DRIVE TIGHTENER BOLT
35	P20315001	S-DRIVE RETURN-1" ROLLER

HOPPER (15000303P)



HOPPER (15000303P)

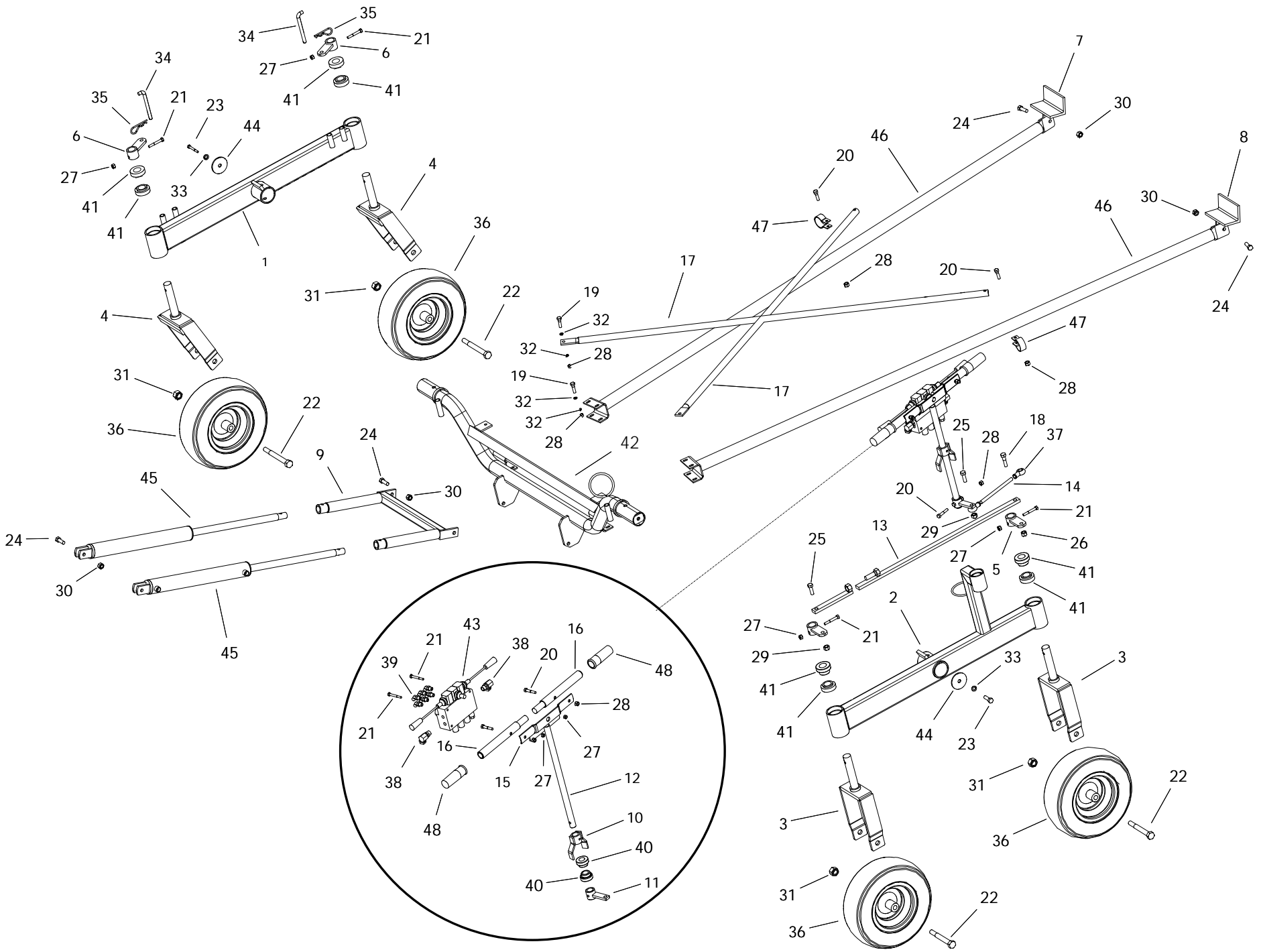
ITEM	PART NO.	DESCRIPTION
1	15000303P	HOPPER -COLLAPSABLE 1515
2	15000307P	HOPPER LINER KIT 1515LP
3	15000308P	HOPPER -FLASHING ONLY 1515LP
4	15050010	PIVOT SHAFT RIGHT
5	15070012	TAKE-UP ROLLER-1-1/4" LAGGED
6	15100001	UPPER CLOTH FRAME TR RIGHT
7	15100002	UPPER CLOTH FRAME TR LEFT
8	15100021	HOPPER CLOTH FRAME-UPPER 1515LP
9	15102052	UPPER CLOTH FRAME TR FRONT
10	15102058	LOWER CLOTH FRAME TR FRONT
11	15102059	LOWER CLOTH FRAME TR TRANSITION
12	15102060	LOWER CLOTH FRAME TR SIDE
13	15102061	LOWER CLOTH FRAME TR BACK
14	P0113004	CARRIAGE BOLT 1/2"X1-1/2"PLATED
15	P0114007	TAP BOLT 3/4 X 7 PLATED
16	P0116001	ELEVATOR BOLT 1/4"X1-1/4"
17	P0118026	BOLT 1/4" X 1-1/2" GR8 PLATED
18	P0118061	BOLT 5/16" X 1" GR8 PLATED
19	P0131016	NUT 1/4" PLATED GRADE 8
20	P0131017	NUT 5/16" PLATED GRADE 8
21	P0131112	NUT 3/4"PLATED
22	P0134008	LOCKNUT-NYLON-1/2"
23	P0134023	LOCKNUT-NYLON-1/4" GR8
24	P0141002	TEK SCREW 1/4"X1"
25	P0145001	VINYL SCREW CAP
26	P0145002	SET SCREW-7/16"X2-1/2"SQ.HD.
27	P0151006	FLAT WASHER 1/4"PLATED USS
28	P0161003	COTTER PIN 3/16"X1-1/2"PLATED
29	P0162007	HOPPER PIVOT SHAFT-13/15
30	P0521001	HOPPER SPRING-L
31	P0521002	HOPPER SPRING-R
32	P0712104	CABLE CLAMP-1/8" GALV.
33	P0713104	CABLE SHEAVE-1-1/4" W/BEARING
34	P1621010	HOPPER CANVAS 1515LP
35	P1641015	TRIM LOCK
36	P1711002	FLANGE UNIT-1-1/4"-SAFL206-20
37	P11139006	HOPPER FLASHING TRANSITION LEFT FL
38	P11139007	HOPPER FLASHING TRANSITION RIGHT FL
39	P19159008	FL HOPPER FLASHING LH
40	P19159009	FL HOPPER FLASHING RH
41	P19159012	FRONT HOPPER FLASHING
42	P20315002	TRANSITION ROLLER



WHEEL MOVE

ITEM	PART NO.	DESCRIPTION
1	13120003	WALKING BEAM
2	13120004	WALKING BEAM-STEERING
3	13120005	FORK-STRAIGHT
4	13120006	FORK-ANGLED
5	13120007	STEERING PIPE
6	13120008	LOCKING PIPE
7	13120012	WHEEL MOVE AXLE TAB RIGHT 35/45
8	13120013	WHEEL MOVE AXLE TAB LEFT 35/45
9	13120016	DOUBLE RAM EXTENSION 35/45 FL
10	13120023	STEERING STOP
11	13120024	HD CASTOR RETAINER C/W YOKE LINK AR
12	13120125	STEERING WELDMENT
13	13122023	STEERING LINK ARM
14	13122076	LINKAGE - THREADED 1/2X8 ROD
15	13122078	HANDLE JOINT
16	13122087	WM STEERING HANDLE PIPE
17	15122031	71 CROSS BRACE PIPE
18	P0118029	BOLT 1/4" X 2" GR8 PLATED
19	P0115113	BOLT 3/8" X 1-1/2" GR8 PLATED
20	P0118050	BOLT 3/8" X 2" GR8 PLATED
21	P0118063	BOLT 5/16" X 2-1/2" GR8 PLATED
22	P0118133	BOLT 3/4" X 7" GR8 PLATED
23	P0118013	BOLT 1/2"X1 1/2" GR.8 PLATED
24	P0118016	BOLT 1/2" X 2" GR8 PLATED
25	P0118077	BOLT 7/16"X1-1/2" GRADE 8 PLATED
26	P0134023	LOCKNUT-NYLON-1/4" GR8
27	P0134027	LOCKNUT-NYLON-5/16" GRADE 8
28	P0134026	LOCKNUT-NYLON-3/8" GRADE 8
29	P0134007	LOCKNUT-NYLON-7/16"
30	P0134008	LOCKNUT-NYLON-1/2"
31	P0134029	LOCKNUT-NYLON-3/4" GRADE 8
32	P0151009	FLAT WASHER 3/8"PLATED USS
33	P0152008	LOCK WASHER 1/2"PLATED
34	P0162004	HITCH PIN 1/2" X 5" PLATED
35	P0163001	HAIR PIN 3/16" X 3-1/4"
36	P0614306	TIRE & RIM 480X8 LRC
37	P0631010	TIE ROD END BALL JOINT
38	P0820010	SWIVEL-8MORBX1/2"FPT/90D
39	P0820611	ELBOW-6 ORBX3/8"JIC M 45
40	P1742001	BEARING-1"(SAA205-16)
41	P1742002	BEARING-1-1/4"
42	P2214123	WHEEL FRAME ASSEMBLY COMPLETE
43	P08610091	VALVE-3 SPL-W/2 HANDLES
44	P11130185	AXLE END CAP
45	P020200308	HYDRAULIC CYLINDER
46	P020200319-101	TRANSPORT FRAME PIPE-101"

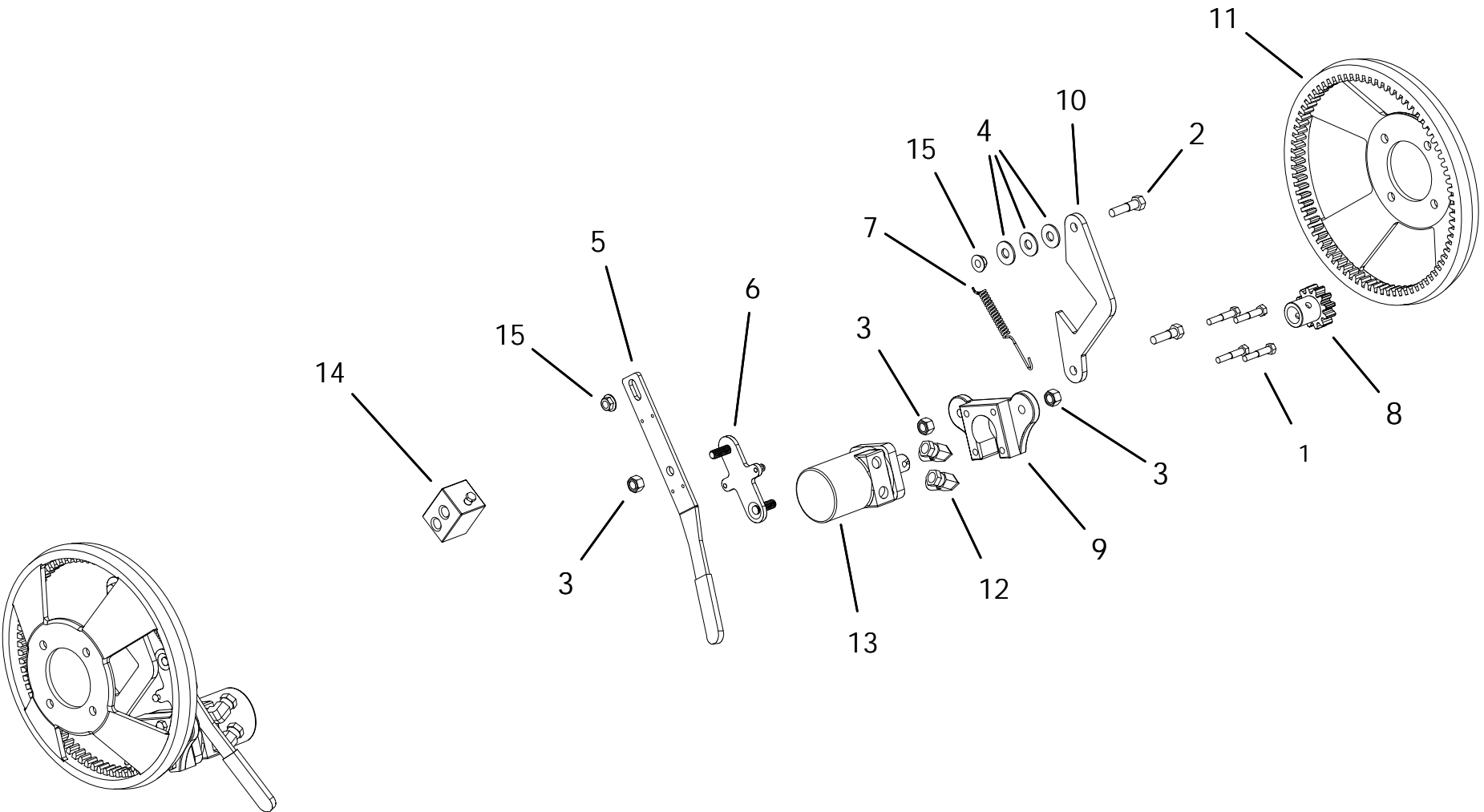
WHEEL MOVE



WHEEL MOVE

ITEM	PART NO.	DESCRIPTION
47	P020200321	CROSS BRACE CLAMP BAND
48	P020200344	HANDLE GRIP 1-1/4"

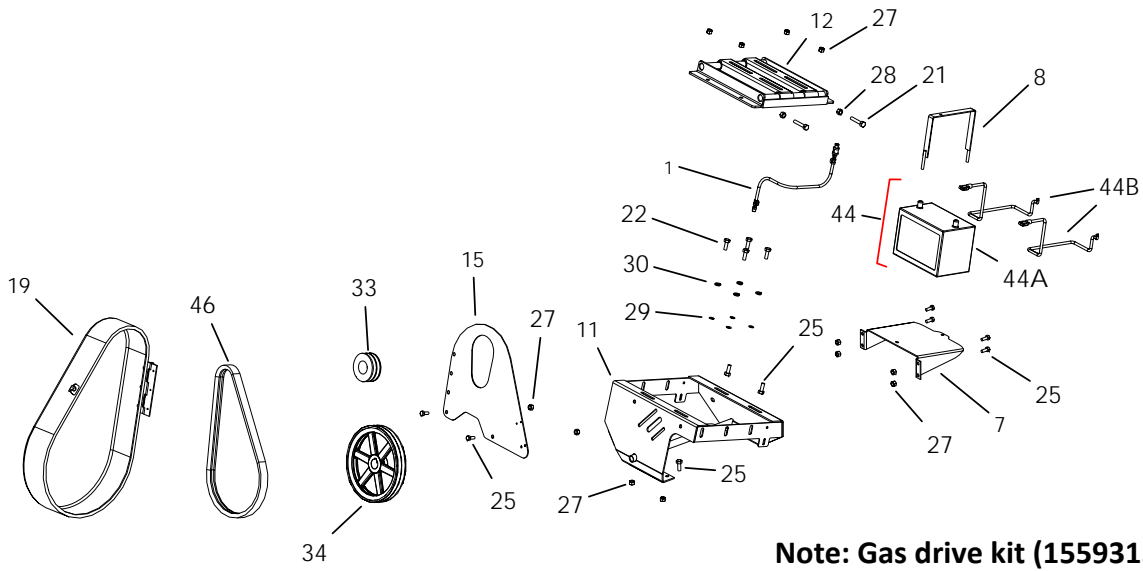
WHEEL MOVE DRIVE SYSTEM (13000139)



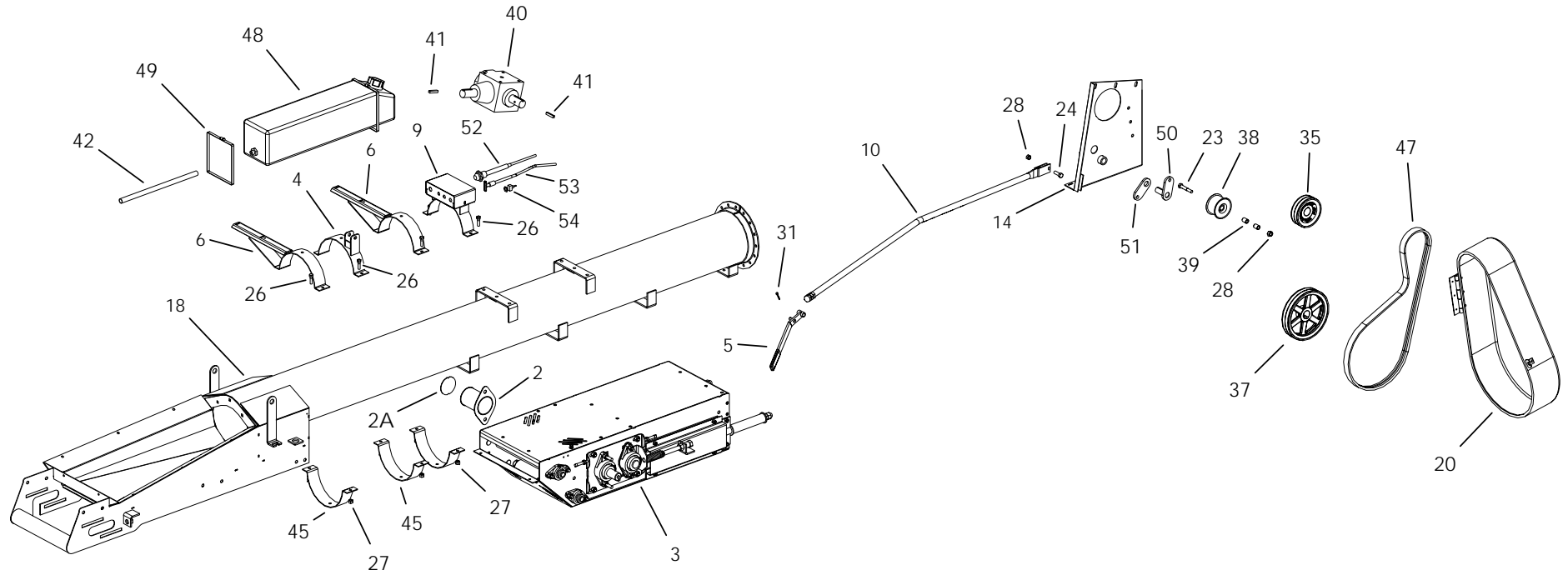
WHEEL MOVE DRIVE SYSTEM (13000139)

ITEM	PART NO.	DESCRIPTION
1	P0118050	BOLT 3/8" X 2" GR8 PLATED
2	P0118016	BOLT 1/2" X 2" GR8 PLATED
3	P0134008	LOCKNUT-NYLON-1/2"
4	P0151029	FLAT WASHER 1/2"PLATED USS
5	P020200007	HANDLE WITH GRIP
6	15121033	PAINTED HANDLE LINK ARM
7	P020200009	HANDLE SPRING
8	P020200333	PINION GEAR-1"ID 3/8"HOLE
9	P020200338A	MOTOR ARM -EYEGLOSS PIECE, DRILLED
10	P020200340	AXLE CAP FOR O/CENTER UNPAINTED
11	P0615315	RING GEAR - 4 BOLT C/W MOUNT PLATE
12	P0820013	SWIVEL-1/2MX3/8F90
13	P0841012	HYD MOTOR-6.3 (5.9H) RS-1/2" HOLE
14	P0861201	CUSHION BLOCK, COMPLETE
15	P0134108	LOCKNUT-TENSILOCK-1/2"
16	P0821127	SWIVEL-3/8"-STR.
17	P0163011	HAIR PIN 5/32X2-15/16 (66326)
18	P0113004	CARRIAGE BOLT 1/2"X1-1/2"PLATED

1545FL GAS DIRECT DRIVE KIT (15593130)

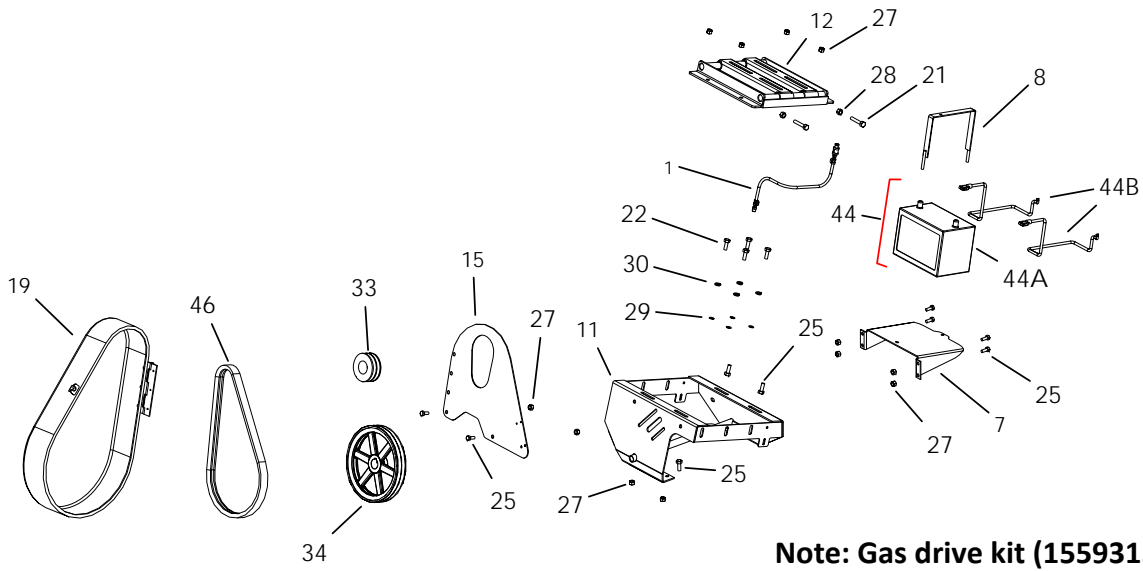


Note: Gas drive kit (15593130) does not include item # 33, 44, 52, 53 & 54.

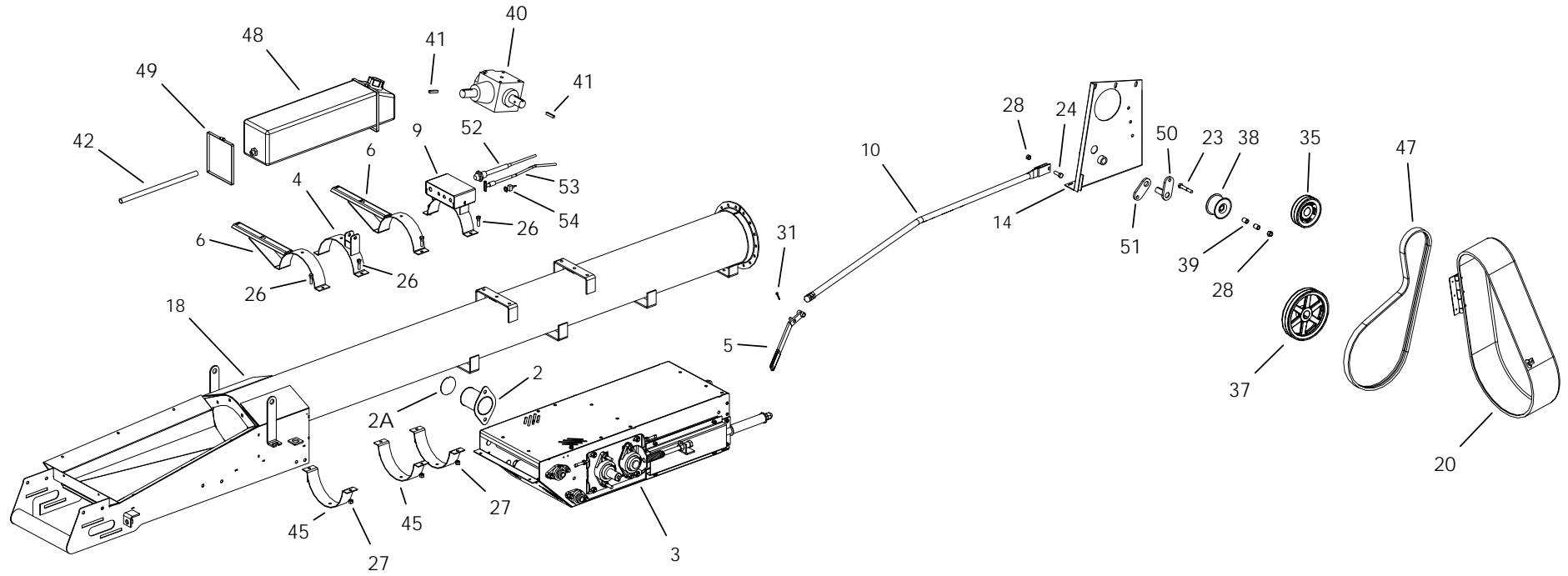


1545FL GAS DIRECT DRIVE KIT (15593130)

ITEM	PART NO.	DESCRIPTION
1	01010003	BREATHER DIRECT DRIVE
2	24041038	SHAFT GUARD(FL-210)
2A	P1210033	501 SHAFT GUARD PLUG
3	15590020	S-DRIVE ASM W/PINCH
4	13010048	MOTOR MT OVERCENTER ANCHOR BKT
5	13010054	MOTOR MT OVERCENTER HANDLE
6	13011038	PLASTIC TANK SIDE MOUNT W 2.5" CLAM
7	13012108	MOTOR MOUNT BATTERY MOUNT
8	13060054	BATTERY CLAMP
9	13060080	DIRECT DRV CONTROL BOX
10	13060084	A-FRAME OVERCENTER PULLROD
11	13060102	MOTOR MOUNT
12	13060103	SLIDER MOUNT
14	13060105	MOTOR MOUNT BACK PLATE
15	13060107	ENGINE GUARD BACK
18	15020040	BT HOPPER SECTION 10' WITH SD BKTS
19	15040055	PINCH GUARD SMALL ASSEMBLED
20	15040056	PINCH GUARD MED ASSEMBLED
21	P0114005	TAP BOLT 1/2 X 2-1/2 GR.8 PLATED
22	P0115020	BOLT 1/2" X 1-1/4" GR5 PLATED
23	P0115021	BOLT 1/2" X 4" GRADE 5 PLATED
24	P0118013	BOLT 1/2"X1 1/2" GR.8 PLATED
25	P0118076	BOLT 7/16"X1" GRADE 8 PLATED
26	P0118077	BOLT 7/16"X1-1/2" GRADE 8 PLATED
27	P0134007	LOCKNUT-NYLON-7/16"
28	P0134008	LOCKNUT-NYLON-1/2"
29	P0151029	FLAT WASHER 1/2"PLATED USS
30	P0152008	LOCK WASHER 1/2"PLATED
31	P0161003	COTTER PIN 3/16"X1-1/2"PLATED
33	P0328018	PULLEY-DBL-BK-4"H
34	P0328024	PULLEY-DBL-12" W/1-1/2"BORE
35	P0328025	PULLEY-DBL-6" W/1-1/2"BORE
37	P0328062	PULLEY-DBL-10" W/1-1/2"BORE
38	P0328910	IDLER-FLAT-4"TRPL 2-7/16"WIDE
39	P0351019	BUSHING 3/4"ODX1/2"IDX1"BRONZE
40	15591001	GBOX 90 2:1 CW/CW 1-1/2 4190 W/OIL
41	P0391002	KEY 3/8" X 2" LONG
42	P0831008	FUEL LINE-1/4"ID
44	13000260	BATTERY AND CABLE PKG.
44A	P0951013	BATTERY 420CCA
44B	P0951021	BATTERY CABLE-37"
45	P2219801P	U-CLAMP HANGER-10"X2-1/2"-BLACK
46	P03210531	BELT 2B53 BANDED
47	P03210651	BELT 2B65 BANDED
48	P021200051	GAS TANK W/CAP W/FITTING-22L
49	P029900216	GEAR CLAMP 32"



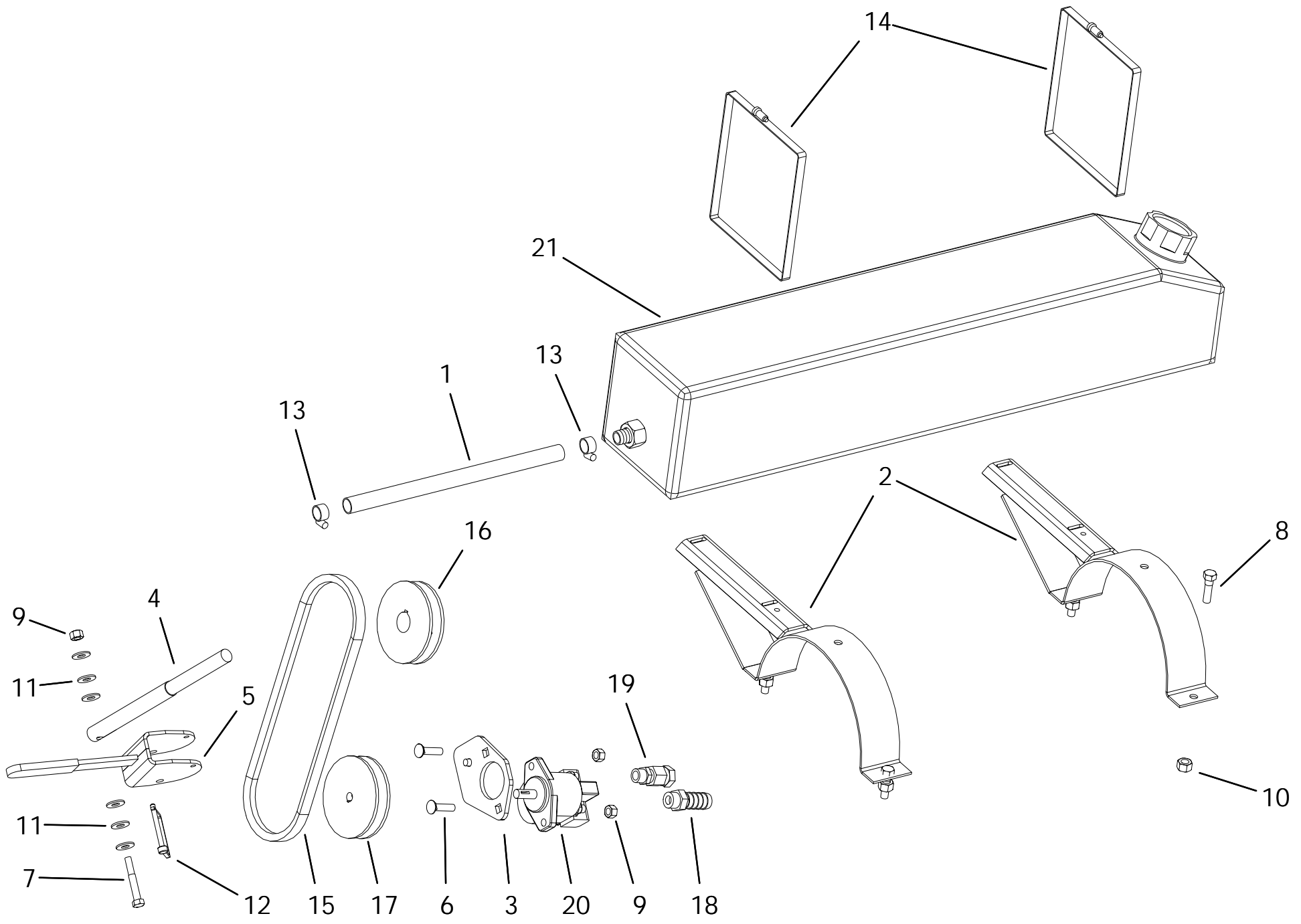
Note: Gas drive kit (15593130) does not include item # 33, 44, 52, 53 & 54.



1545FL GAS DIRECT DRIVE KIT (15593130)

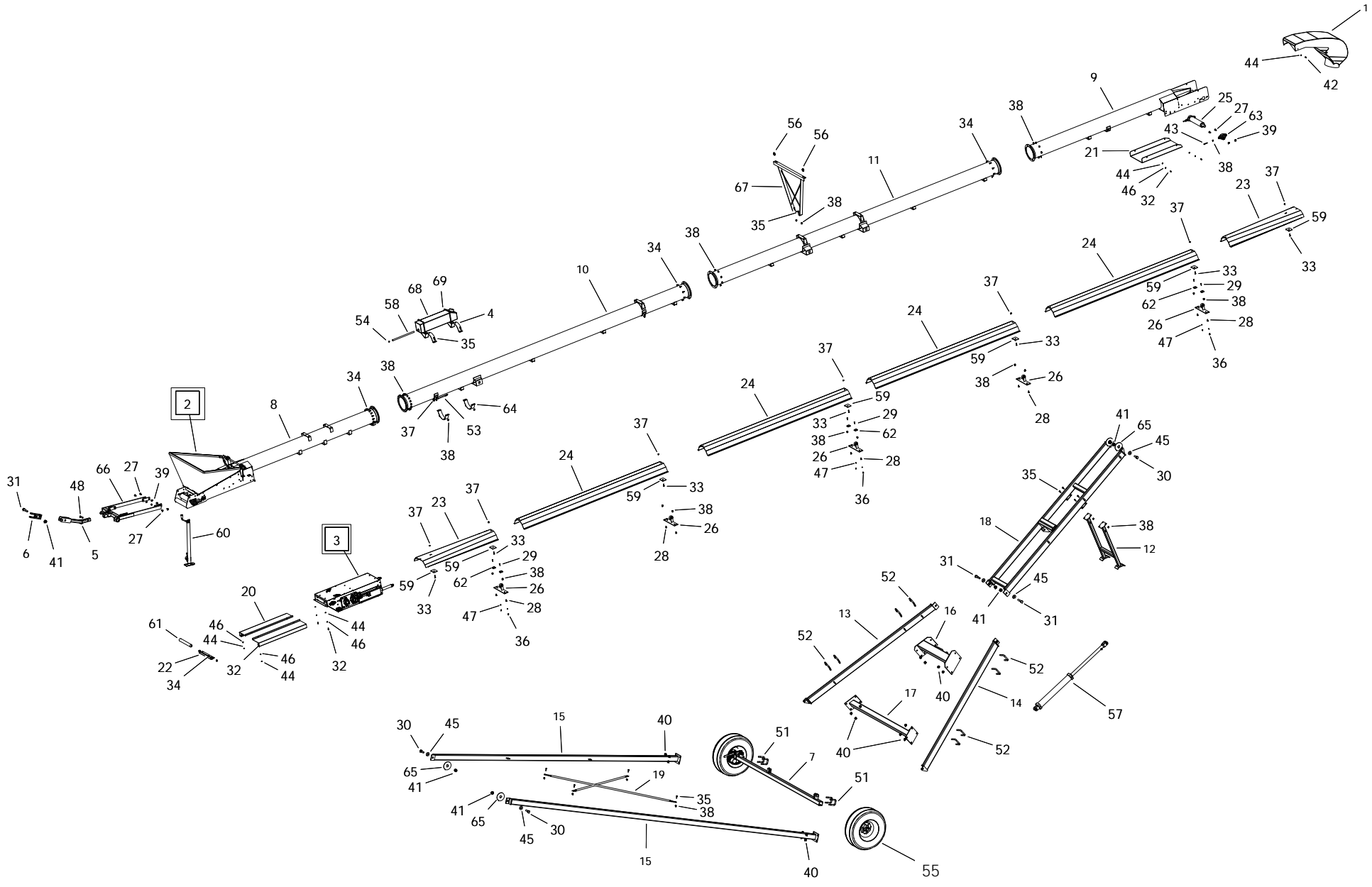
ITEM	PART NO.	DESCRIPTION
50	13060113	ROCKER ARM PIVOT SHAFT
51	13060114	ROCKER ARM SLEEVE
52	P0712114	THROTTLE CONTROL 15'
53	P0712102	CHOKE CABLE-15' LOCKING
54	P1031113	ENGINE 26.5HP KOHLER IGNITION SWITCH

WET KIT GAS (1559408X) - 45



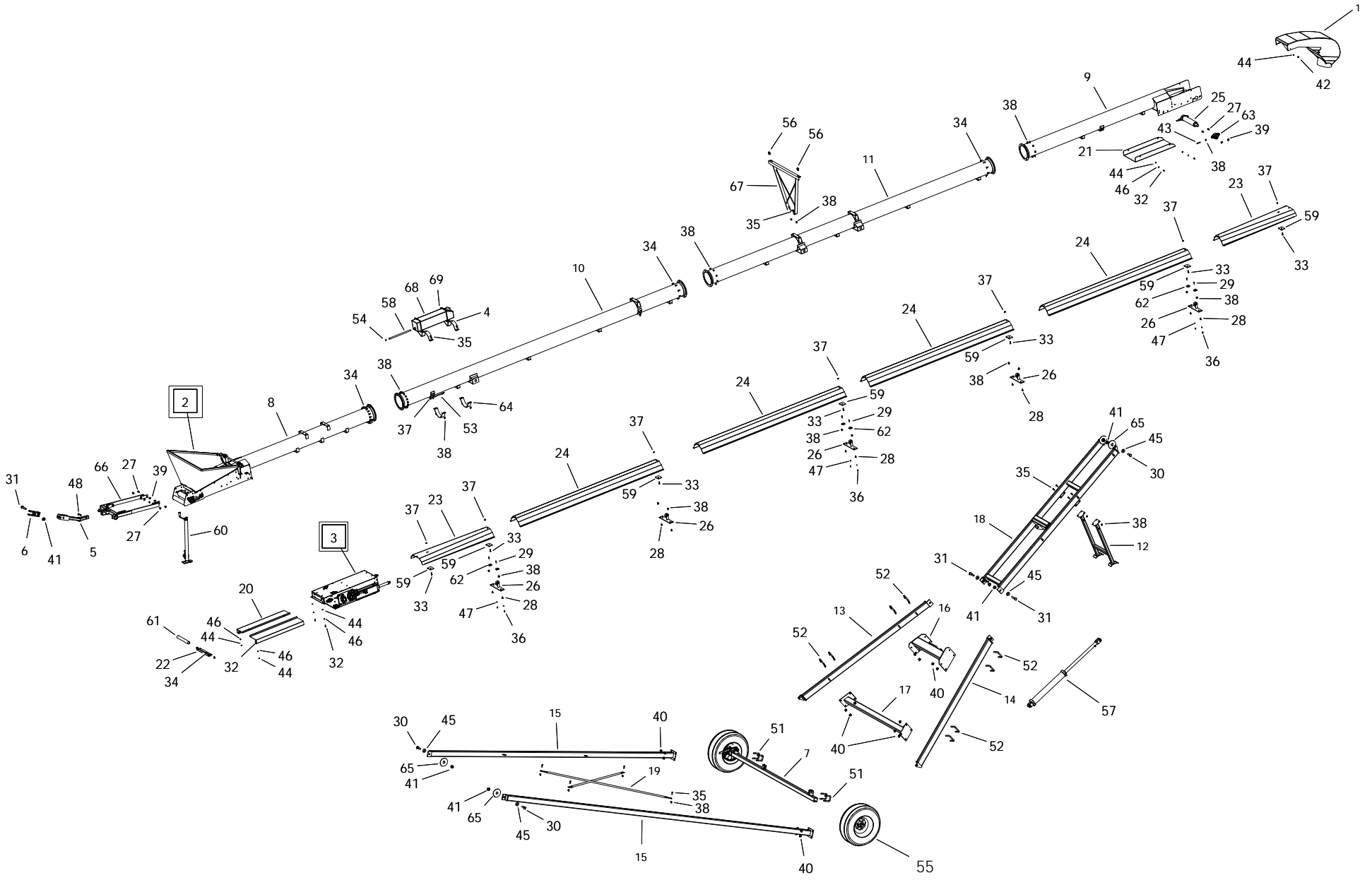
WET KIT GAS (1559408X) - 45

ITEM	PART NO.	DESCRIPTION
1	01010188	HOSE 3/4(9')-HOSE-HOSE
2	13011038	PLASTIC TANK SIDE MOUNT W 2.5" CLAM
3	13060104	PUMP MOUNT -PINCH DRIVE
4	13100028	PIVOT HANDLE SHAFT
5	13100035	PIVOT HANDLE
6	P0113018	CARRIAGE BOLT 3/8"X1 1/2"PLATED
7	P0118051	BOLT 3/8" X 2-1/2" GR8 PLATED
8	P0118077	BOLT 7/16"X1-1/2" GRADE 8 PLATED
9	P0134026	LOCKNUT-NYLON-3/8" GRADE 8
10	P0134007	LOCKNUT-NYLON-7/16"
11	P0151009	FLAT WASHER 3/8"PLATED USS
12	P0163010	QUICK PIN 1/4X2-1/2
13	P0184006	HOSE CLAMP-3/4"(HS12)
14	P029900216	GEAR CLAMP 32"
15	P0321035	BELT B35
16	P0328905	PULLEY-4-1/2"X1-1/8"
17	P0328906	PULLEY-4-1/2"X1/2"
18	P0820702	HOSE BARB-10MORBX3/4"HOSE
19	P0821130	SWIVEL-8 ORBX1/2"FPS
20	P0841033	PUMP-SMALL
20	P0841033S	PUMP-0.375 CW/END PORTS SEAL
21	P029900052-3	TANK, 22L, BLK W/FTG, CAP HOSE



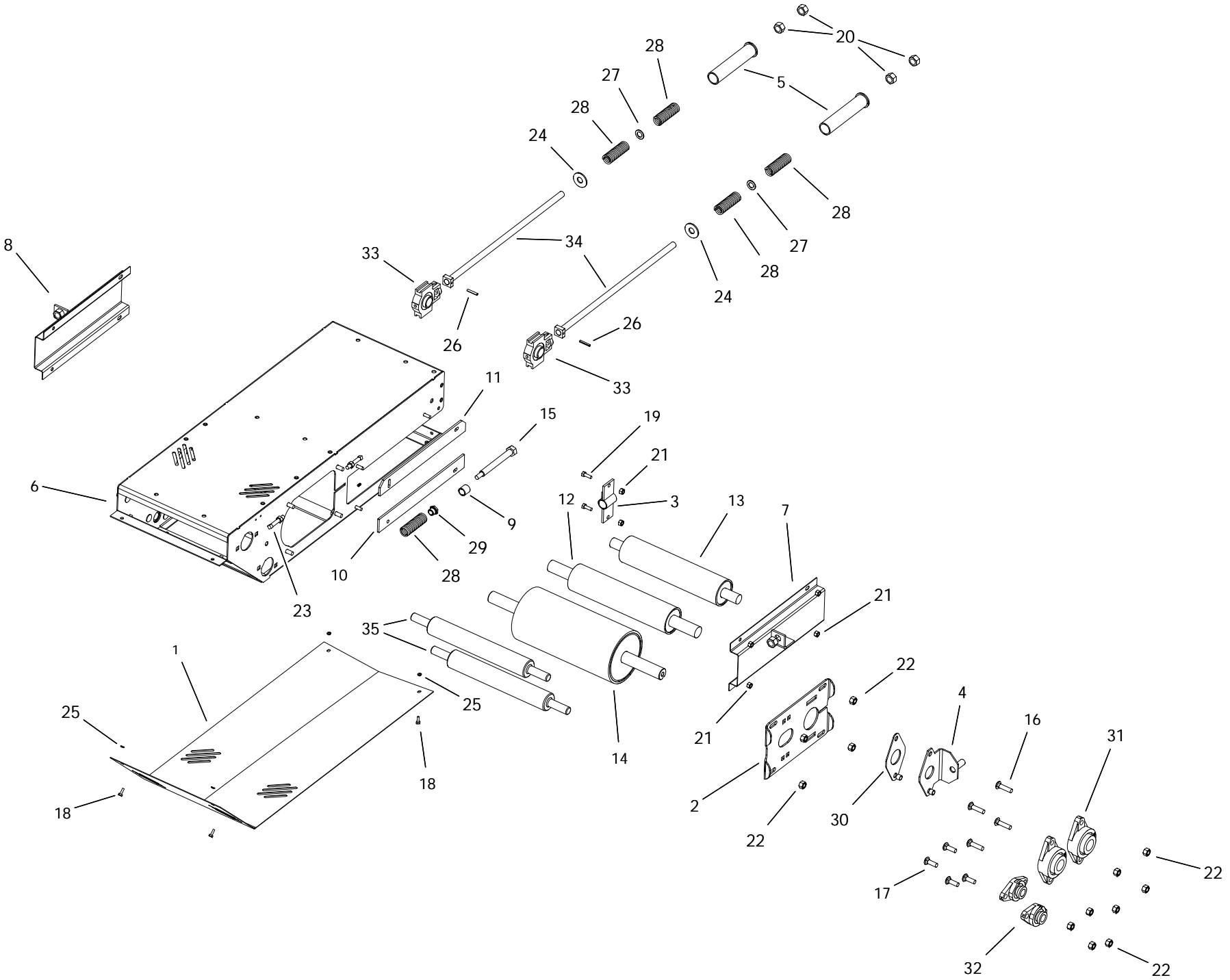
1565 FMD-15506515

ITEM	PART NO.	DESCRIPTION
1	P1211501	HOOD-ROUND 15 SERIES (KANBAN)
2	15000304P	HOPPER -COLLAPSABLE STD
3	15590020	S-DRIVE ASM W/PINCH
4	13011038	PLASTIC TANK SIDE MOUNT W 2.5" CLAM
5	13030016	Tongue
6	13030017	CLEVIS
7	13030105	1365-85 Axle (6 bolt)
8	15020040	BT HOPPER SECTION 10' WITH SD BKTS
9	15020045	SPOUT SECTION 10' W/CABLE RTRN BKT
10	15020051	BOTTOM TUBE WITH ANCHORS
11	15020052	SUSPENSION BRACKET TUBE
12	15031001	65/75 TRANSPORT BRACE
13	15031029	65/75 LIFT ARM LEFT
14	15031030	65/75 LIFT ARM RIGHT
15	15031032	65/75 AXLE ARM
16	15031035	65/75 UPPER LIFT ARM BRACE
17	15031036	65/75 LOWER LIFT ARM BRACE
18	15031037	65/75 LADDER
19	15032030	CROSS BRACE
20	15042040	SD-HOPPER BELT GUARD
21	15042093	SPOUT BOTTOM COVER
22	15042094	HOPPER GUARD BRACKET
23	15042102	WEATHER GUARD 5' FLR - 61-1/2"
24	15042121	WEATHER GUARD 10' - 121-1/2"
25	15070009	HOPPER/SPOUT ROLLER LAGGED
26	150100811	WEATHER GUARD MOUNT BAR KIT-POLY
27	P0113004	CARRIAGE BOLT 1/2"X1-1/2"PLATED
28	P0113013	CARRIAGE BOLT 7/16"X1" PLATED
29	P0113020	CARRIAGE BOLT 5/16"X1-1/2"PLATED
30	P0118004	BOLT 1" X 3" GR8 PLATED
31	0118007	BOLT 1" X 4-1/2" GR8 PLATED
32	P0118033	BOLT 1/4" X 3/4" GR8 PLATED
33	P0115303	CAPSCREW 3/8X1-1/4FLT HD SOCKET PTD
34	P0118076	BOLT 7/16"X1" GRADE 8 PLATED
35	P0118077	BOLT 7/16"X1-1/2" GRADE 8 PLATED
36	P0131017	NUT 5/16" PLATED GRADE 8
37	P0134026	LOCKNUT-NYLON-3/8" GRADE 8
38	P0134007	LOCKNUT-NYLON-7/16"
39	P0134008	LOCKNUT-NYLON-1/2"
40	P0134029	LOCKNUT-NYLON-3/4" GRADE 8
41	P0134030	LOCKNUT-NYLON-1" GRADE 8
42	P0141002	TEK SCREW 1/4"X1"
43	P0145002	SET SCREW-7/16"X2-1/2"SQ.HD.
44	P0151006	FLAT WASHER 1/4"PLATED USS
45	P0151031	FLAT WASHER 1"PLATED USS
46	P0152004	LOCK WASHER 1/4"PLATED



1565 FMD-15506515

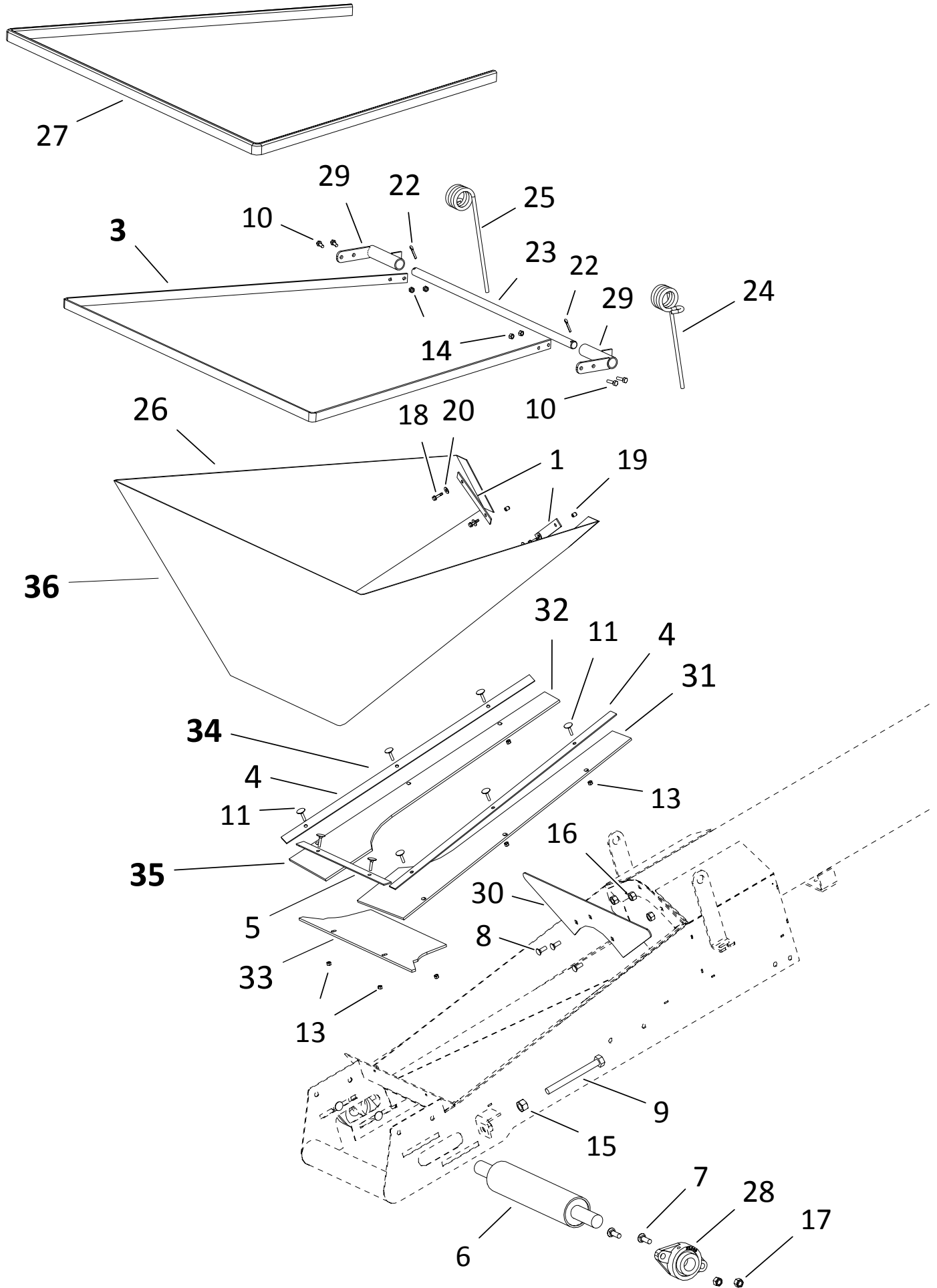
ITEM	PART NO.	DESCRIPTION
47	P0152010	LOCK WASHER 5/16" PLATED
48	P0162001	HITCH PIN 1/2" X 3" PLATED
51	P0183004	U-BOLT 3" X 3" - PLATED
52	P0183005	U-BOLT 5"X2" (3/4") PTD
53	P0183021	3/8" EYE BOLT ASM
54	P0184033	WIRE HOSE CLAMP .500"
55	P0615307	TIRE ASSEMBLY-15"X6"X6BOLT
56	P0712109	CABLE CLAMP-3/8"
57	P0814030	HYD CYL-4X30
58	P0831008	FUEL LINE-1/4"ID
59	P1010001	UNI-MOUNT PLATE CAST
60	P1012009	JACK-7000LB SQ.TUBE 25" EXT
61	P1021006	ROLLER HEX 15-7/8"
62	P1210030	BELT GUIDE BLOCK
63	P1711001	FLANGE UNIT-1-1/2"-SAFL208-24
64	P2219801P	U-CLAMP HANGER-10"X2-1/2"-BLACK
65	P2515002	FRAME BUSHING
66	15030015	15 SERIES HITCH
67	15010103	HIGH CABLE BRIDGE
68	P021200051	GAS TANK W/CAP W/FITTING-22L
69	P029900216	GEAR CLAMP 32"
70	15570651	1565 135' 3"
71	P07111111	CABLE-3/8" (112')
72	P1243001	CABLE TIE 14" 120 LB
73	P2227989	MANUAL HOLDER AND LID
74	13060080	DIRECT DRV CONTROL BOX
75	P0712113	THROTTLE CONTROL 10'
76	P0712103	CHOKE CABLE-9' LOCKING



S-DRIVE (15590020)

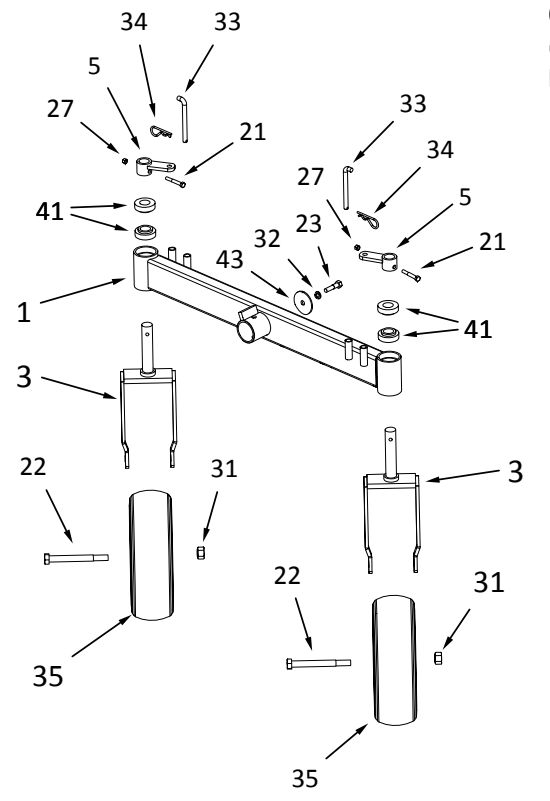
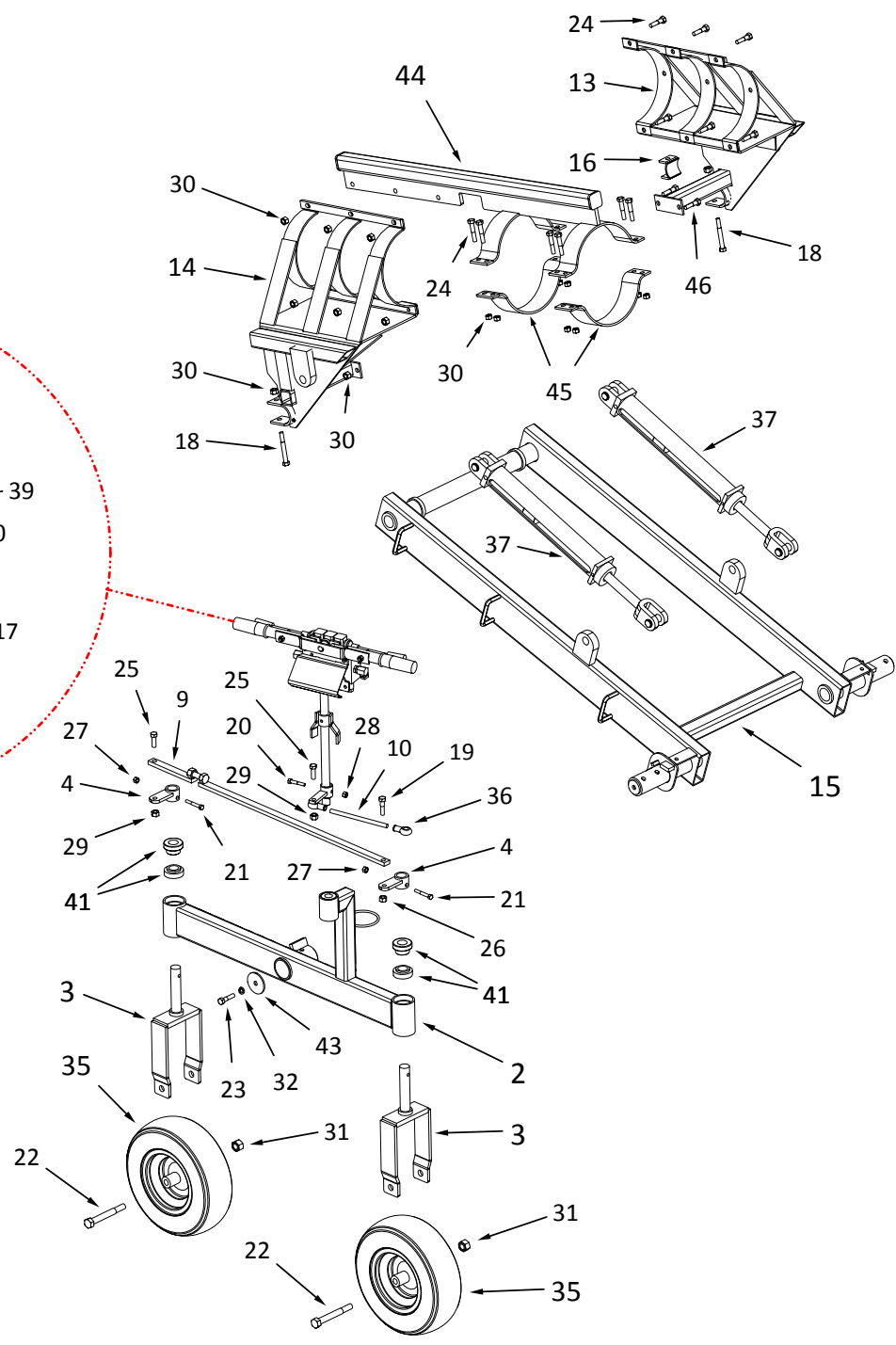
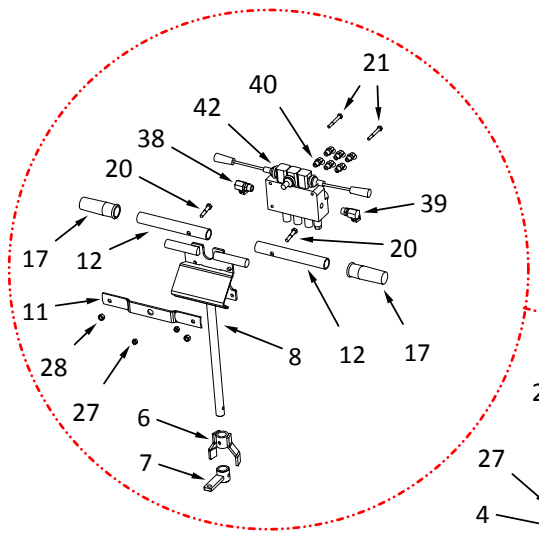
ITEM	PART NO.	DESCRIPTION
1	15040001	PINCH SD BOTTOM GUARD
2	15060061	SD COVER PLATE 6-1/2"ROLLER
3	15060079	S-DRIVE TAKEUP BRACKET
4	15060082	PINCH TIGHTENER PLATE
5	15060504	PRETENSIONER 1550
6	15061045	S-DRIVE PINCH
7	15061046	SIDE GUARD LH
8	15061047	SIDE GUARD RH
9	15062010	PINCH PIPE
10	15062179	S-DRIVE SLIDER BOLT PLATE - BOTTOM
11	15062180	S-DRIVE SLIDER BOLT PLATE - TOP
12	15070019	3-1/2"TAKE-UP (PINCH)
13	15070020	3-1/2"TAKE-UP 19.5"SHAFT
14	15070030	DRIVE ROLLER-6-1/2" W/EXT SHAFT
15	P0113000	SPRING TENSION BOLT
16	P0113001	CARRIAGE BOLT 1/2"X2" PLATED
17	P0113004	CARRIAGE BOLT 1/2"X1-1/2"PLATED
18	P0118033	BOLT 1/4" X 3/4" GR8 PLATED
19	P0118046	BOLT 3/8" X 1" GR8 PLATED
20	P0131019	NUT 3/4" PLATED GRADE 8
21	P0134026	LOCKNUT-NYLON-3/8" GRADE 8
22	P0134008	LOCKNUT-NYLON-1/2"
23	P0145002	SET SCREW-7/16"X2-1/2"SQ.HD.
24	P0151015	FLAT WASHER 3/4"PLATED USS
25	P0152004	LOCK WASHER 1/4"PLATED
26	P0167001	SPRING PIN 1/4" X 1-1/2"
27	P0351015	MACHINERY BUSH 3/4"X1-1/4"-14G PTD.
28	P0511008	SPRING-LD-1300 SERIES
29	P0820129	BUSHING BRASS FLANGED
30	P1210102	BELT TIGHTENER SLIDER PLATE FL208
31	P1711001	FLANGE UNIT-1-1/2"-SAFL208-24
32	P1711004	FLANGE UNIT-1"-SAFL205-16
33	P1721001	TAKE-UP UNIT-1-1/4"-T206-20
34	P2515006	15 S-DRIVE TIGHTENER BOLT
35	P20315001	S-DRIVE RETURN-1" ROLLER

HOPPER (15000304P)



HOPPER (15000304P)

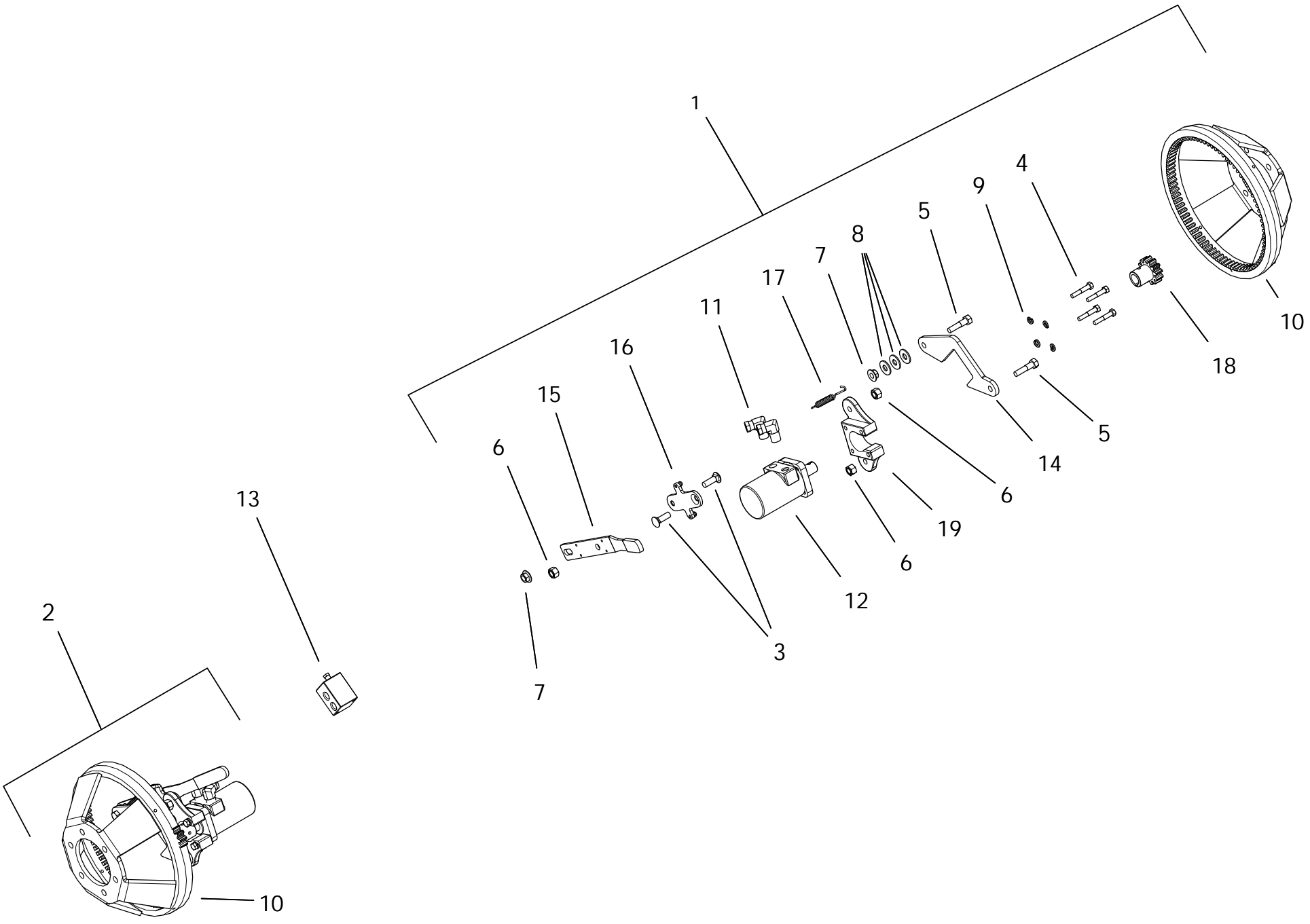
ITEM	PART NO.	DESCRIPTION
1	13052001	LOWER CLOTH FRAME STD BACK
3	15052004	UPPER CLOTH FRAME STD
4	15052101	LOWER CLOTH FRAME STD SIDE
5	15052102	LOWER CLOTH FRAME STD FRONT
6	15070009	HOPPER/SPOUT ROLLER LAGGED
7	P0113004	CARRIAGE BOLT 1/2"X1-1/2"PLATED
8	P0113015	CARRIAGE BOLT 3/8"X1" PLATED
9	P0114007	TAP BOLT 3/4 X 7 PLATED
10	P0118061	BOLT 5/16" X 1" GR8 PLATED
11	P0116001	ELEVATOR BOLT 1/4"X1-1/4"
13	P0131016	NUT 1/4" PLATED GRADE 8
14	P0131017	NUT 5/16" PLATED GRADE 8
15	P0131019	NUT 3/4" PLATED GRADE 8
16	P0134026	LOCKNUT-NYLON-3/8" GRADE 8
17	P0134008	LOCKNUT-NYLON-1/2"
18	P0141002	TEK SCREW 1/4"X1"
19	P0145001	VINYL SCREW CAP
20	P0151006	FLAT WASHER 1/4"PLATED USS
22	P0161003	COTTER PIN 3/16"X1-1/2"PLATED
23	P0162007	HOPPER PIVOT SHAFT-13/15
24	P0521001	HOPPER SPRING-L
25	P0521002	HOPPER SPRING-R
26	P1621007	HOPPER CANVAS-15 CONV.
27	P1641015	TRIM LOCK
28	P1711001	FLANGE UNIT-1-1/2"-SAFL208-24
29	P2515017	PIVOT SHAFT BRACKET
30	P11150047	HOPPER SHIELD
31	P19159000	HOPPER LEFT FLASHING STD
32	P19159001	HOPPER RIGHT FLASHING STD
33	P19159002	HOPPER FRONT FLASHING STD
34	15000314	HOPPER -LINER KIT STD
35	15000306P	HOPPER -FLASHING ONLY STD
36	15000304P	HOPPER -COLLAPSABLE STD



WHEEL MOVE

ITEM	PART NO.	DESCRIPTION
1	13120003	WALKING BEAM
2	13120004	WALKING BEAM-STEERING
3	13120005	FORK-STRAIGHT
4	13120007	STEERING PIPE
5	13120008	LOCKING PIPE
6	13120023	STEERING STOP
7	13120024	HD CASTOR RETAINER C/W YOKE LINK AR
8	13120125	STEERING WELDMENT
9	13122023	STEERING LINK ARM
10	13122076	LINKAGE - THREADED 1/2X8 ROD
11	13122078	HANDLE JOINT
12	13122087	WM STEERING HANDLE PIPE
13	15120001	WHEEL MOVE BASE LEFT
14	15120002	WHEEL MOVE BASE RIGHT
15	15120003	CAM LIFT
16	15120004	SWIVEL BLOCK
17	P02-0200344	HANDLE GRIP 1-1/4"
18	P0118019	BOLT 1/2" X 3-1/2" GR8 PLATED
19	P0118029	BOLT 1/4" X 2" GR8 PLATED
20	P0118050	BOLT 3/8" X 2" GR8 PLATED
21	P0118063	BOLT 5/16" X 2-1/2" GR8 PLATED
22	P0118133	BOLT 3/4" X 7" GR8 PLATED
23	P0118016	BOLT 1/2" X 2" GR8 PLATED
24	P0118017	BOLT 1/2"X2-1/2"GRADE 8 PLATED
25	P0118077	BOLT 7/16"X1-1/2" GRADE 8 PLATED
26	P0134023	LOCKNUT-NYLON-1/4" GR8
27	P0134027	LOCKNUT-NYLON-5/16" GRADE 8
28	P0134026	LOCKNUT-NYLON-3/8" GRADE 8
29	P0134007	LOCKNUT-NYLON-7/16"
30	P0134008	LOCKNUT-NYLON-1/2"
31	P0134029	LOCKNUT-NYLON-3/4" GRADE 8
32	P0152008	LOCK WASHER 1/2"PLATED
33	P0162004	HITCH PIN 1/2" X 5" PLATED
34	P0163001	HAIR PIN 3/16" X 3-1/4"
35	P0614306	TIRE & RIM 480X8 LRC
36	P0631010	TIE ROD END BALL JOINT
37	P0812516	HYD CYL-2-1/2X16
38	P0820003	SWIVEL-10ORBX1/2F90
39	P0820009	SWIVEL-6MORBX1/2"FPT/90D
40	P0820611	ELBOW-6 ORBX3/8"JIC M 45
41	P1742002	BEARING-1-1/4"
42	P08610091	VALVE-3 SPL-W/2 HANDLES
43	P11130185	AXLE END CAP
44	15060022	MOVER FLANGE SUPPORT
45	P2513203P	3" U-CLAMP PAINTED
46	P0118013	BOLT 1/2"X1 1/2" GR.8 PLATED

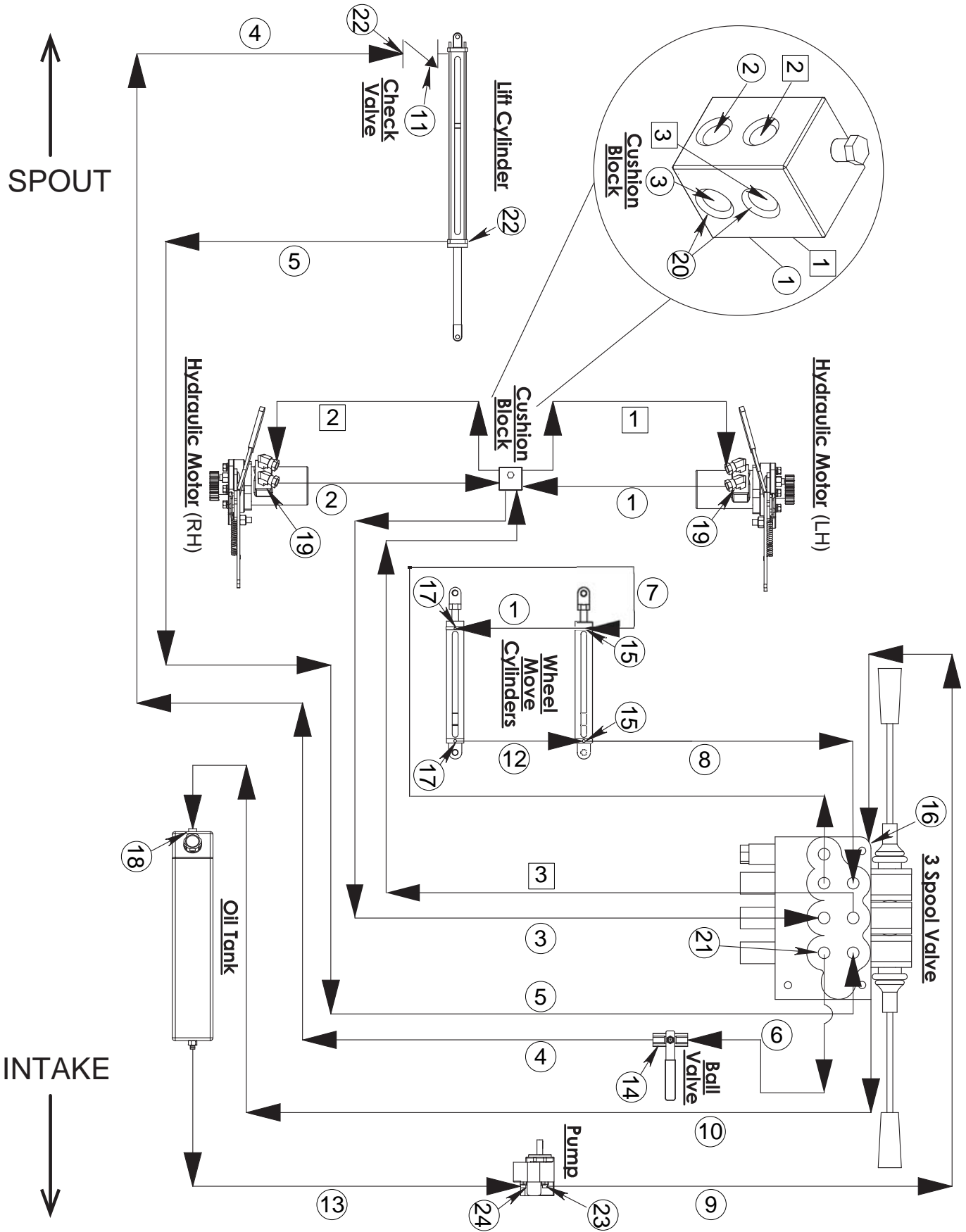
WHEEL MOVE DRIVE SYSTEM (13000144)



WHEEL MOVE DRIVE SYSTEM (13000144)

ITEM	PART NO.	DESCRIPTION
1	13000120	WM DRIVE PINION GEAR ASSY - RIGHT
2	13000121	WM DRIVE PINION GEAR ASSY - LEFT
3	P0113004	CARRIAGE BOLT 1/2"X1-1/2"PLATED
4	P0118050	BOLT 3/8" X 2" GR8 PLATED
5	P0118016	BOLT 1/2" X 2" GR8 PLATED
6	P0134008	LOCKNUT-NYLON-1/2"
7	P0134108	LOCKNUT-TENSILOCK-1/2"
8	P0151029	FLAT WASHER 1/2"PLATED USS
9	P0152006	LOCK WASHER 3/8"PLATED
10	P0615314	RING GEAR - 6 BOLT C/W MOUNT PLATE
11	P0820013	SWIVEL-1/2MX3/8F90
12	P0841012	HYD MOTOR-6.3 (5.9H) RS-1/2" HOLE
13	P0861201	CUSHION BLOCK, COMPLETE
14	P11130126	WHEEL-MOVE AXLE TAB 3"
15	P020200007	HANDLE WITH GRIP
16	15121033	PAINTED HANDLE LINK ARM
17	P020200009	HANDLE SPRING
18	P020200333	PINION GEAR-1"ID 3/8"HOLE
19	P020200338A	MOTOR ARM -EYEGLOSS PIECE, DRILLED
20	P0163011	HAIR PIN 5/32X2-15/16 (66326)
21	P0821127	SWIVEL-3/8"-STR.

WHEEL MOVE HYDRAULIC SCHEMATIC

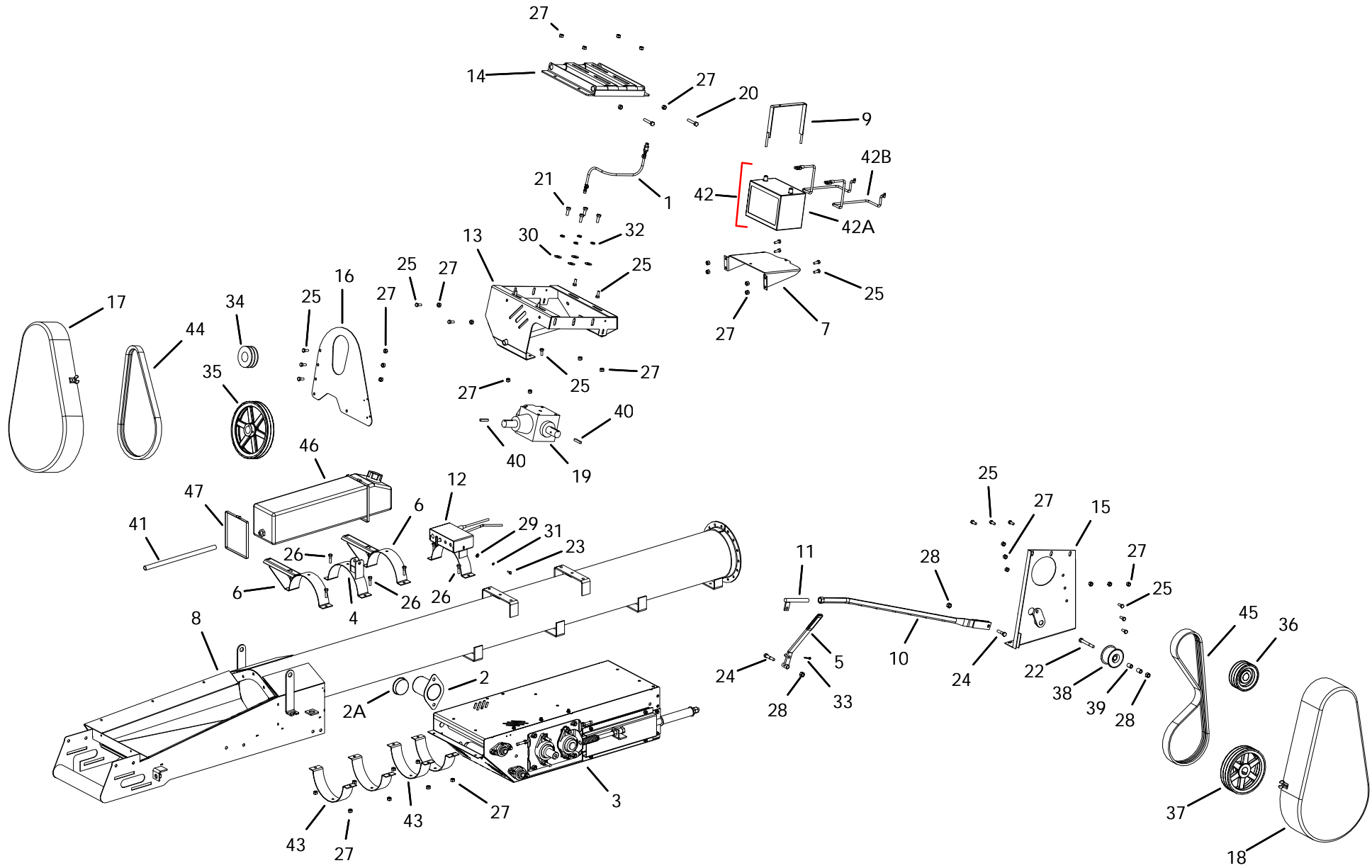


WHEEL MOVE HYDRAULIC SCHEMATIC

ITEM	PART NO.	DESCRIPTION
1	P0832019	HOSE 3/8(7'6")-3/8MPT-3/8MPT PC
2	P0832028	HOSE 3/8(1'8")-3/8MPT-3/8MPT PC
3	P0832045	HOSE 3/8(38')-3/8MPT-3/8FJIC PC
4	P0832048	HOSE 3/8(39')-1/2MPT-1/2MPT PC
5	P0832041	HOSE 3/8(49'6")-1/2MPT-3/8FJICX PC
6	P0832043	HOSE 3/8(10'6")-1/2MPT-3/8FJIC PC
7	P0832026	HOSE 3/8(7')-3/8FJICX-3/8MPT PC
8	P0832040	HOSE 3/8(5'10")-3/8MPT-3/8FJICX PC
9	P0832053	HOSE 1/2(11'6")-1/2"MPT-1/2"MPT PC
10	P0832031	HOSE 1/2(15')-1/2MPT-1/2MPT PC
11	P0861035	CHECK VALVE-1/2" (NO HOLE)
12	P0832029	HOSE 3/8(5'6")-3/8MPT-3/8MPT PC
13	01010148	HOSE 3/4(5')-HOSE-HOSE
14	P0861001	BALL VALVE-1/2"
15	P029900791	TEE-3/8"FSX3/8"MX3/8"FS
16	P0820010	SWIVEL-8MORBX1/2"FPT/90D
17	P0820007	SWIVEL-3/8"PT/90D
18	P0821112	SWIVEL-1/2" STRAIGHT
19	P0820013	SWIVEL-1/2MX3/8F90
20	P0821127	SWIVEL-3/8"-STR.
21	P0820611	ELBOW-6 ORBX3/8"JIC M 45
22	P0820001	SWIVEL-1/2"90 DEGREE
23	P0821129	SWIVEL-6MORBX1/2"FPT
24	P0820702	HOSE BARB-10MORBX3/4"HOSE

GAS DIRECT DRIVE KIT (15593100)

244



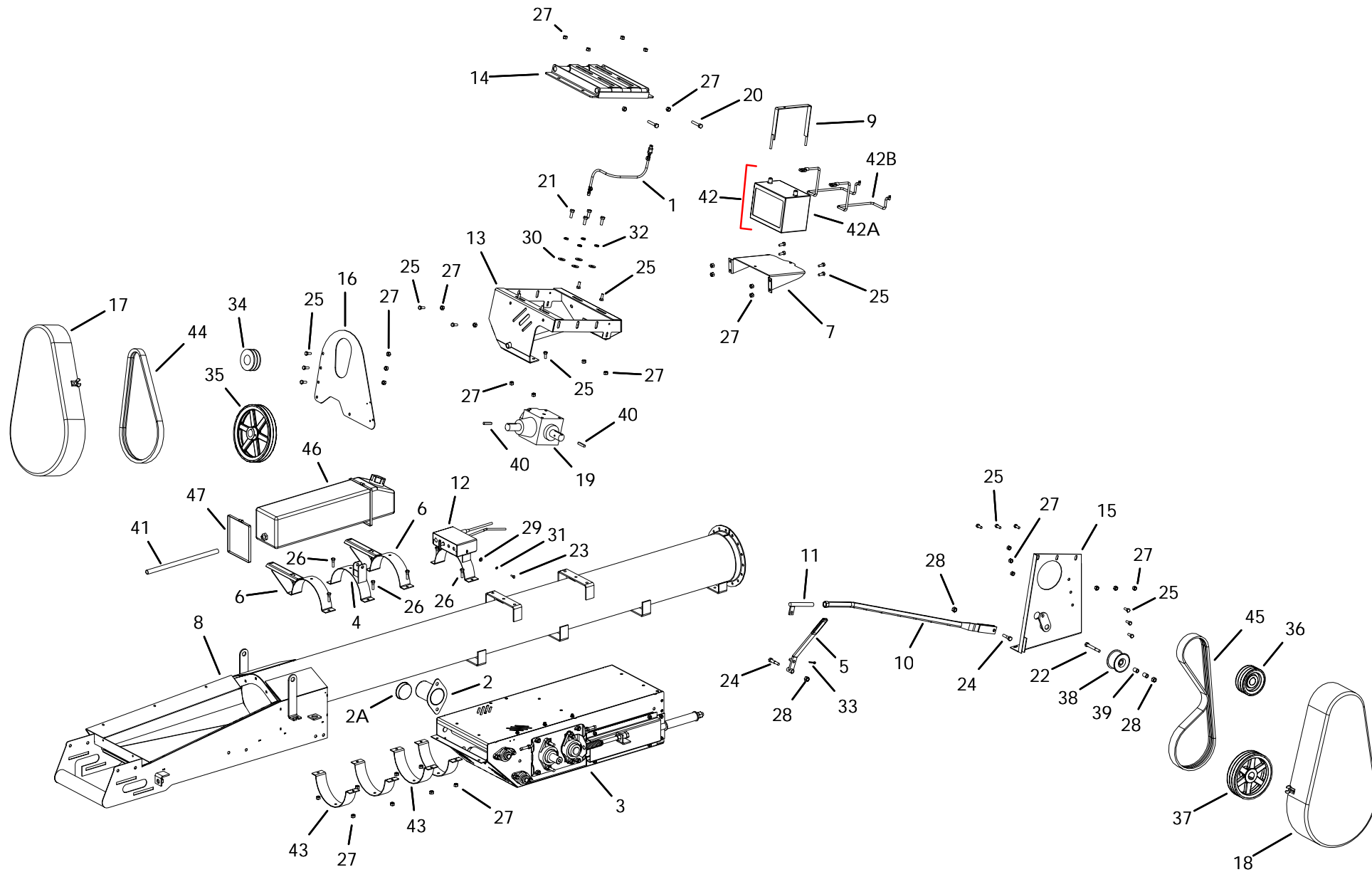
Note: Gas Drive Kit (15593100) does not include item # 8, 34 & 42.

GAS DIRECT DRIVE KIT (15593100)

ITEM	PART NO.	DESCRIPTION
1	01010003	BREATHER DIRECT DRIVE
2	24041038	SHAFT GUARD(FL-210)
3	15590020	S-DRIVE ASM W/PINCH
4	13010048	MOTOR MT OVERCENTER ANCHOR BKT
5	13010054	MOTOR MT OVERCENTER HANDLE
6	13011038	PLASTIC TANK SIDE MOUNT W 2.5" CLAM
7	13012108	MOTOR MOUNT BATTERY MOUNT
8	13020040	BT HOPPER SECTION 10' WITH SD BKTS
9	13060054	BATTERY CLAMP
10	13060068	MOTOR MT OVERCENTER PUSHROD
11	13060074	OVERCENTER ADJUSTER
12	13060080	DIRECT DRV CONTROL BOX
13	13060102	MOTOR MOUNT
14	13060103	SLIDER MOUNT
15	13060105	MOTOR MOUNT BACK PLATE
16	13060107	ENGINE GUARD BACK
17	15040055	PINCH GUARD SMALL ASSEMBLED
18	15040056	PINCH GUARD MED ASSEMBLED
19	15591001	GBOX 90 2:1 CW/CW 1-1/2 4190 W/OIL
20	P0114005	TAP BOLT 1/2 X 2-1/2 GR.8 PLATED
21	P0115020	BOLT 1/2" X 1-1/4" GR5 PLATED
22	P0118130	BOLT 1/2" X 4" GR8 PLATED
23	P0118033	BOLT 1/4" X 3/4" GR8 PLATED
24	P0118016	BOLT 1/2" X 2" GR8 PLATED
25	P0118076	BOLT 7/16"X1" GRADE 8 PLATED
26	P0118077	BOLT 7/16"X1-1/2" GRADE 8 PLATED
27	P0134007	LOCKNUT-NYLON-7/16"
28	P0134008	LOCKNUT-NYLON-1/2"
29	P0151006	FLAT WASHER 1/4"PLATED USS
30	P0151029	FLAT WASHER 1/2"PLATED USS
31	P0152004	LOCK WASHER 1/4"PLATED
32	P0152008	LOCK WASHER 1/2"PLATED
33	P0161003	COTTER PIN 3/16"X1-1/2"PLATED
34	P0328018	PULLEY-DBL-BK-4"H
35	P0328024	PULLEY-DBL-12" W/1-1/2"BORE
36	P0328050	PULLEY-TRPL-6" W/1-1/2"BORE
37	P0328079	PULLEY-TRPL-10" W/1-1/2"BORE
38	P0328910	IDLER-FLAT-4"TRPL 2-7/16"WIDE
39	P0351019	BUSHING 3/4"ODX1/2"IDX1"BRONZE
40	P0391002	KEY 3/8" X 2" LONG
41	P0831008	FUEL LINE-1/4"ID
42	P0951013	BATTERY 420CCA
43	P2219801P	U-CLAMP HANGER-10"X2-1/2"-BLACK
44	P03210531	BELT 2B53 BANDED
45	P03210652	BELT 3B65 BANDED
46	P021200051	GAS TANK W/CAP W/FITTING-22L

GAS DIRECT DRIVE KIT (15593100)

246

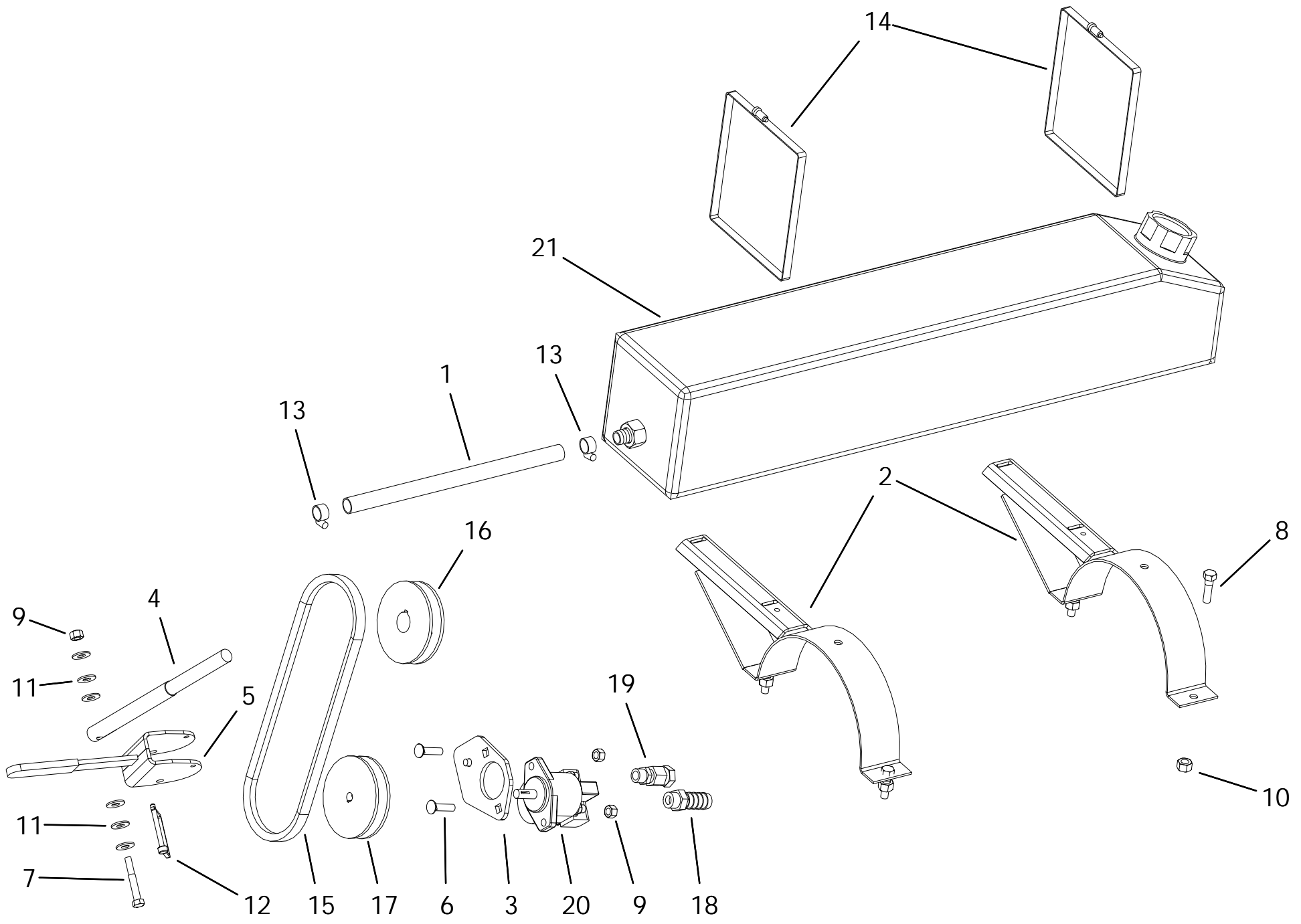


Note: Gas Drive Kit (15593100) does not include item # 8, 34 & 42.

GAS DIRECT DRIVE KIT (15593100)

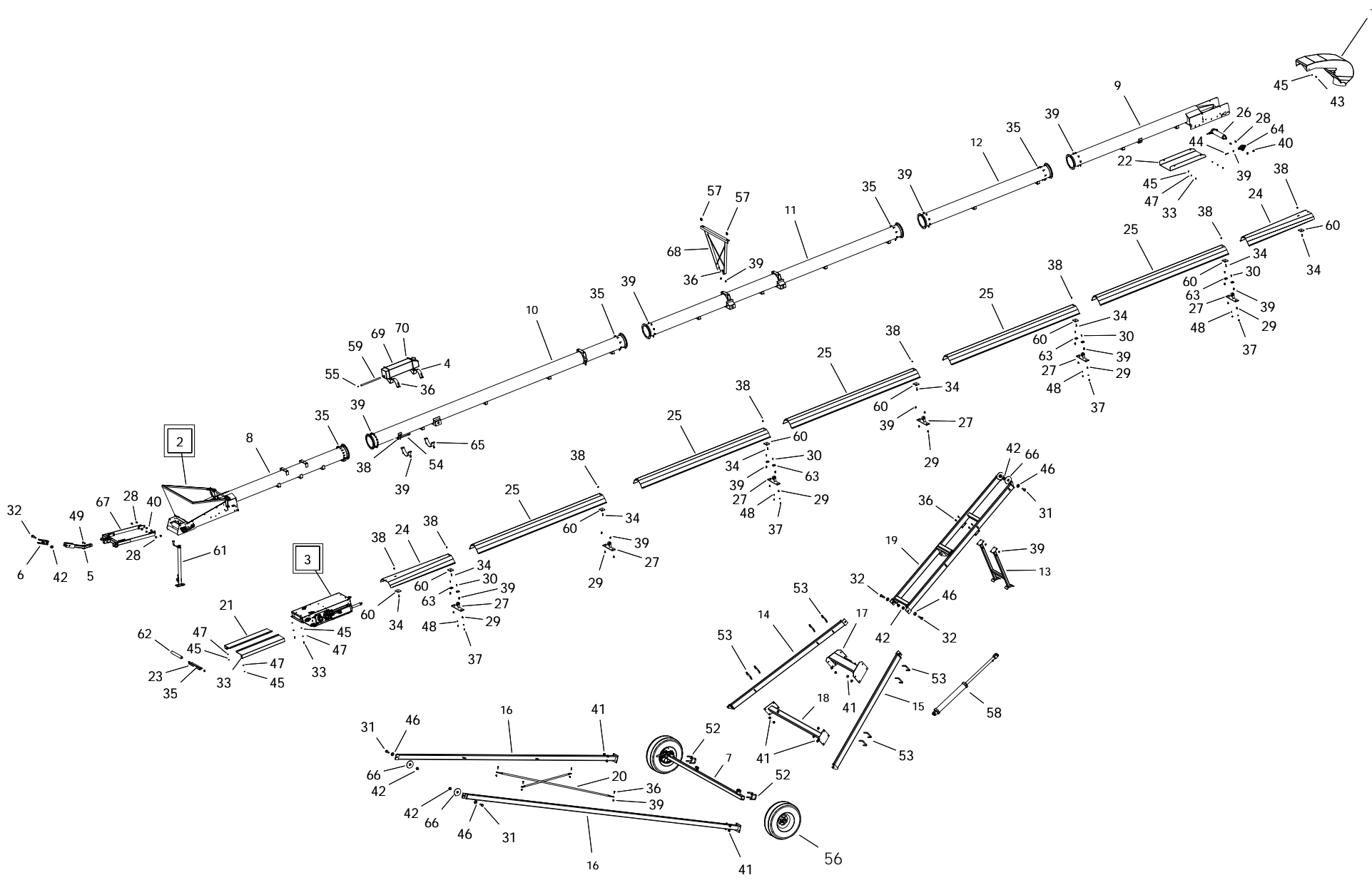
ITEM	PART NO.	DESCRIPTION
47	P029900216	GEAR CLAMP 32"

WET KIT GAS (1559408X) - 45



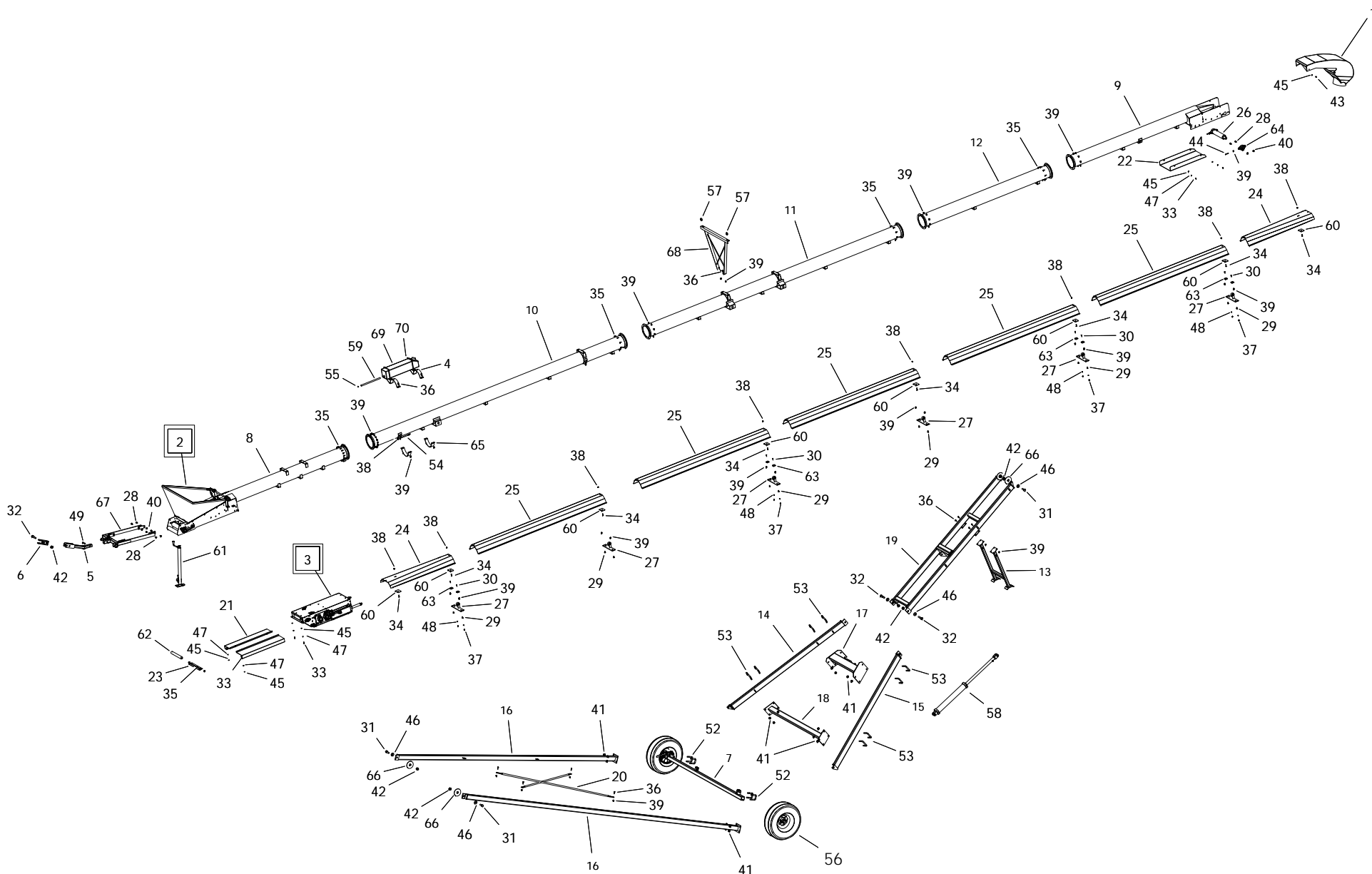
WET KIT GAS (1559408X) - 45

ITEM	PART NO.	DESCRIPTION
1	01010188	HOSE 3/4(9')-HOSE-HOSE
2	13011038	PLASTIC TANK SIDE MOUNT W 2.5" CLAM
3	13060104	PUMP MOUNT -PINCH DRIVE
4	13100028	PIVOT HANDLE SHAFT
5	13100035	PIVOT HANDLE
6	P0113018	CARRIAGE BOLT 3/8"X1 1/2"PLATED
7	P0118051	BOLT 3/8" X 2-1/2" GR8 PLATED
8	P0118077	BOLT 7/16"X1-1/2" GRADE 8 PLATED
9	P0134026	LOCKNUT-NYLON-3/8" GRADE 8
10	P0134007	LOCKNUT-NYLON-7/16"
11	P0151009	FLAT WASHER 3/8"PLATED USS
12	P0163010	QUICK PIN 1/4X2-1/2
13	P0184006	HOSE CLAMP-3/4"(HS12)
14	P029900216	GEAR CLAMP 32"
15	P0321035	BELT B35
16	P0328905	PULLEY-4-1/2"X1-1/8"
17	P0328906	PULLEY-4-1/2"X1/2"
18	P0820702	HOSE BARB-10MORBX3/4"HOSE
19	P0821130	SWIVEL-8 ORBX1/2"FPS
20	P0841033	PUMP-SMALL
20	P0841033S	PUMP-0.375 CW/END PORTS SEAL
21	P029900052-3	TANK, 22L, BLK W/FTG, CAP HOSE



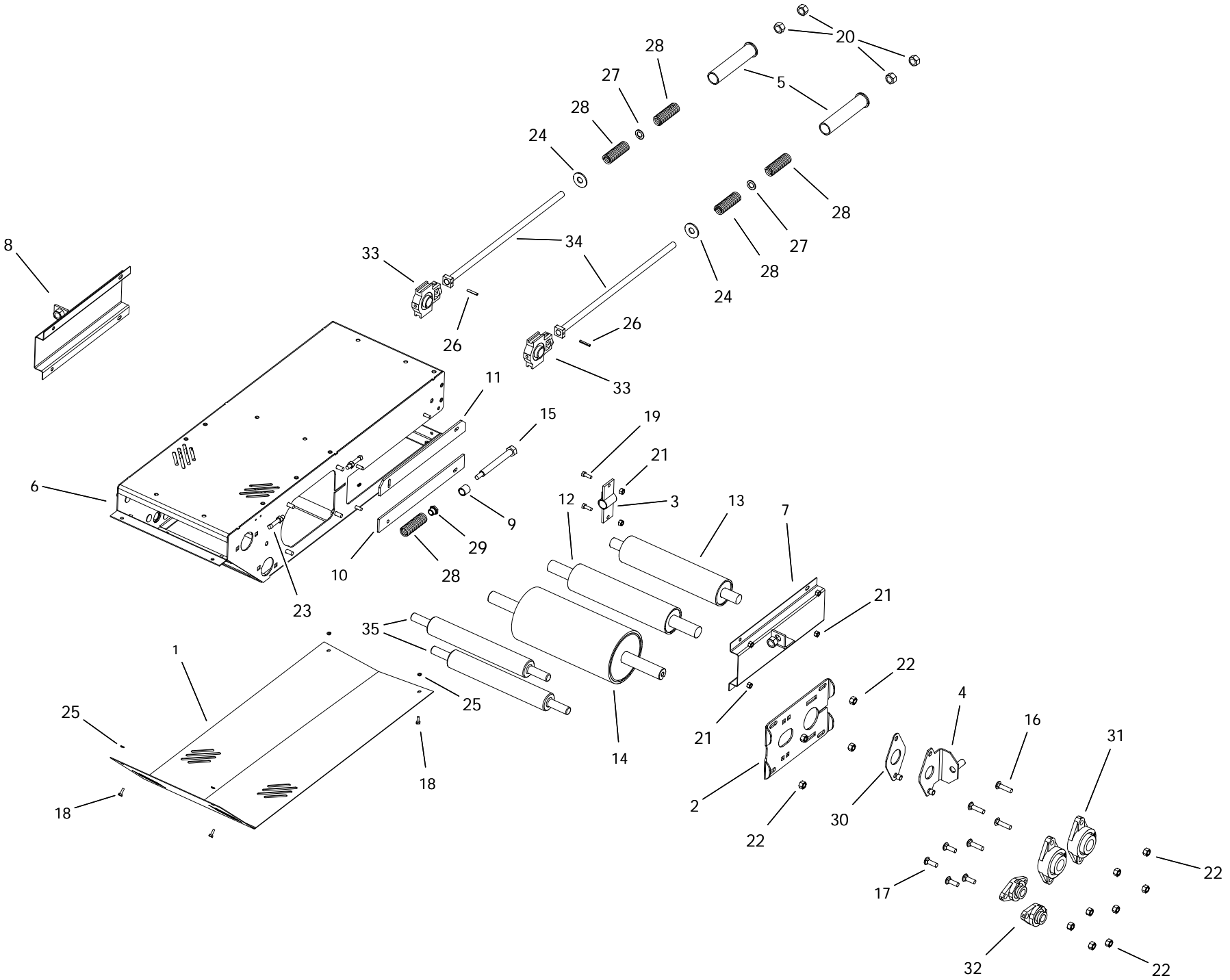
1575 FMD-15507515

ITEM	PART NO.	DESCRIPTION
1	P1211501	HOOD-ROUND 15 SERIES (KANBAN)
2	15000304P	HOPPER -COLLAPSABLE STD
3	15590020	S-DRIVE ASM W/PINCH
4	13011038	PLASTIC TANK SIDE MOUNT W 2.5" CLAM
5	13030016	Tongue
6	13030017	CLEVIS
7	13030105	1365-85 Axle (6 bolt)
8	15020040	BT HOPPER SECTION 10' WITH SD BKTS
9	15020045	SPOUT SECTION 10' W/CABLE RTRN BKT
10	15020051	BOTTOM TUBE WITH ANCHORS
11	15020052	SUSPENSION BRACKET TUBE
12	15020054	UPPER CENTER TUBE 10'
13	15031001	65/75 TRANSPORT BRACE
14	15031029	65/75 LIFT ARM LEFT
15	15031030	65/75 LIFT ARM RIGHT
16	15031032	65/75 AXLE ARM
17	15031035	65/75 UPPER LIFT ARM BRACE
18	15031036	65/75 LOWER LIFT ARM BRACE
19	15031037	65/75 LADDER
20	15032030	CROSS BRACE
21	15042040	SD-HOPPER BELT GUARD
22	15042093	SPOUT BOTTOM COVER
23	15042094	HOPPER GUARD BRACKET
24	15042102	WEATHER GUARD 5' FLR - 61-1/2"
25	15042121	WEATHER GUARD 10' - 121-1/2"
26	15070009	HOPPER/SPOUT ROLLER LAGGED
27	150100811	WEATHER GUARD MOUNT BAR KIT-POLY
28	P0113004	CARRIAGE BOLT 1/2"X1-1/2"PLATED
29	P0113013	CARRIAGE BOLT 7/16"X1" PLATED
30	P0113020	CARRIAGE BOLT 5/16"X1-1/2"PLATED
31	P0118004	BOLT 1" X 3" GR8 PLATED
32	P0118007	BOLT 1" X 4-1/2" GR8 PLATED
33	P0118033	BOLT 1/4" X 3/4" GR8 PLATED
34	P0115303	CAPSCREW 3/8X1-1/4FLT HD SOCKET PTD
35	P0118076	BOLT 7/16"X1" GRADE 8 PLATED
36	P0118077	BOLT 7/16"X1-1/2" GRADE 8 PLATED
37	P0131017	NUT 5/16" PLATED GRADE 8
38	P0134026	LOCKNUT-NYLON-3/8" GRADE 8
39	P0134007	LOCKNUT-NYLON-7/16"
40	P0134008	LOCKNUT-NYLON-1/2"
41	P0134029	LOCKNUT-NYLON-3/4" GRADE 8
42	P0134030	LOCKNUT-NYLON-1" GRADE 8
43	P0141002	TEK SCREW 1/4"X1"
44	P0145002	SET SCREW-7/16"X2-1/2"SQ.HD.
45	P0151006	FLAT WASHER 1/4"PLATED USS
46	P0151031	FLAT WASHER 1"PLATED USS



1575 FMD-15507515

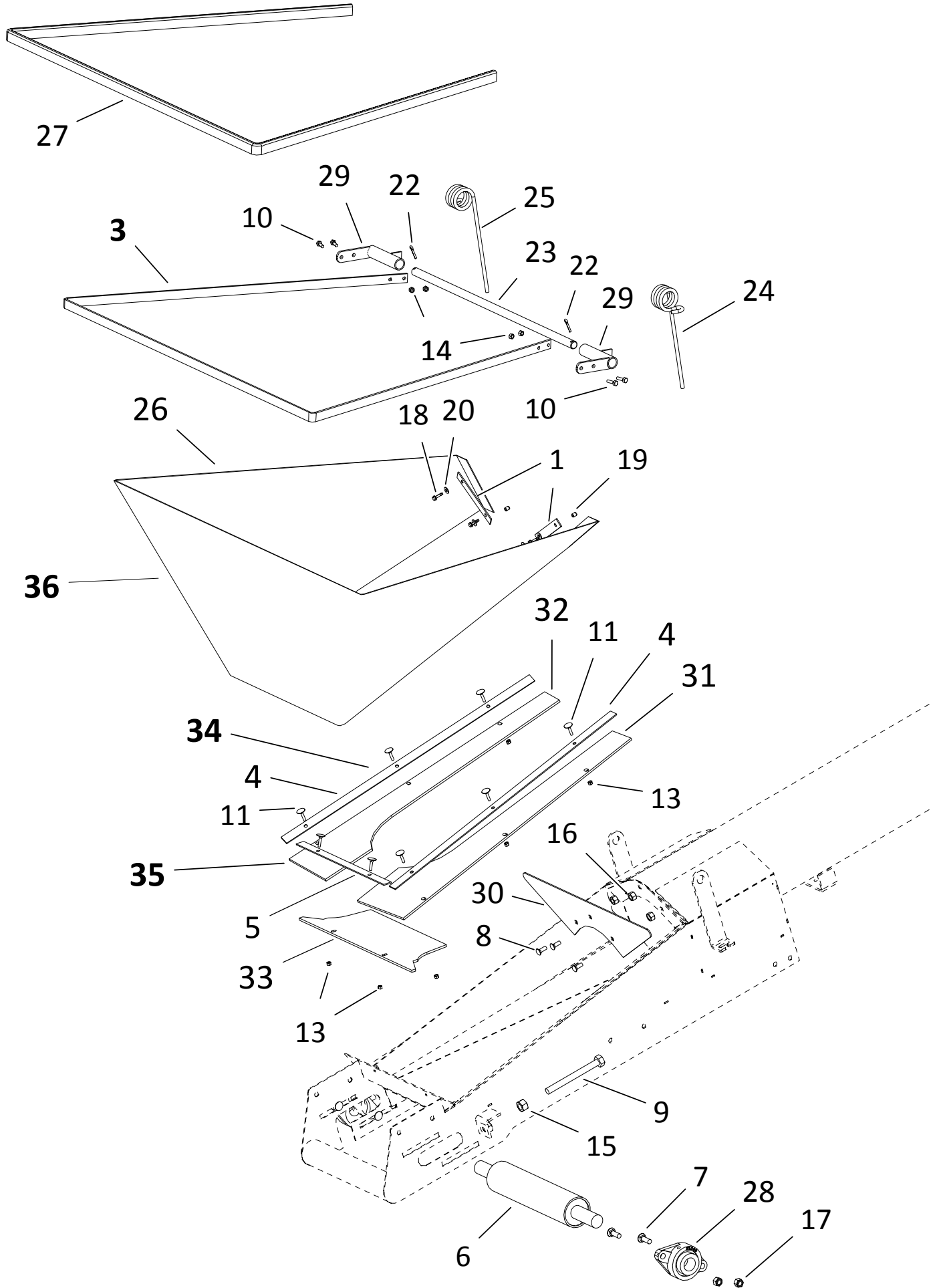
ITEM	PART NO.	DESCRIPTION
47	P0152004	LOCK WASHER 1/4"PLATED
48	P0152010	LOCK WASHER 5/16"PLATED
49	P0162001	HITCH PIN 1/2" X 3" PLATED
52	P0183004	U-BOLT 3" X 3" -PLATED
53	P0183005	U-BOLT 5"X2" (3/4") PTD
54	P0183021	3/8" EYE BOLT ASM
55	P0184033	WIRE HOSE CLAMP .500"
56	P0615307	TIRE ASSEMBLY-15"X6"X6BOLT
57	P0712109	CABLE CLAMP-3/8"
58	P0814030	HYD CYL-4X30
59	P0831008	FUEL LINE-1/4"ID
60	P1010001	UNI-MOUNT PLATE CAST
61	P1012009	JACK-7000LB SQ.TUBE 25" EXT
62	P1021006	ROLLER HEX 15-7/8"
63	P1210030	BELT GUIDE BLOCK
64	P1711001	FLANGE UNIT-1-1/2"-SAFL208-24
65	P2219801P	U-CLAMP HANGER-10"X2-1/2"-BLACK
66	P2515002	FRAME BUSHING
67	15030015	15 SERIES HITCH
68	15010103	HIGH CABLE BRIDGE
69	P021200051	GAS TANK W/CAP W/FITTING-22L
70	P029900216	GEAR CLAMP 32"
71	15570751	1575 155'
72	P0711111	CABLE-3/8" (112')
73	P1243001	CABLE TIE 14" 120 LB
74	P2227989	MANUAL HOLDER AND LID
75	13060080	DIRECT DRV CONTROL BOX
76	P0712113	THROTTLE CONTROL 10'
77	P0712103	CHOKE CABLE-9' LOCKING



S-DRIVE (15590020)

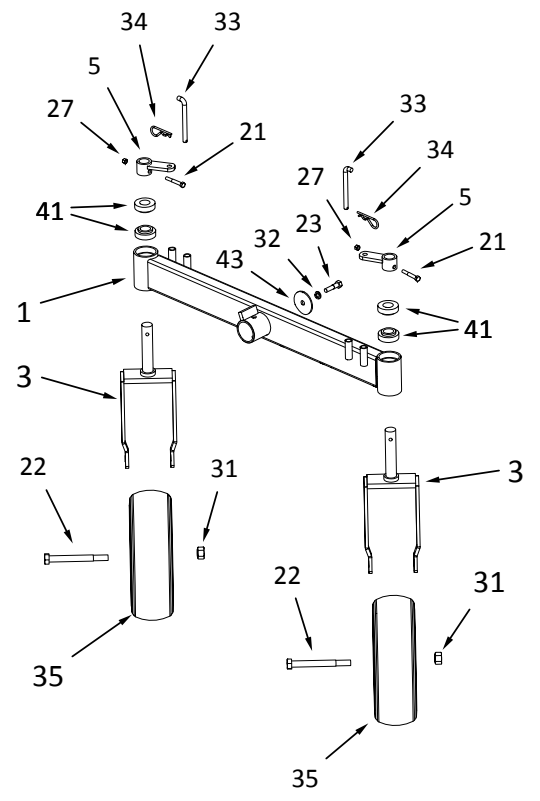
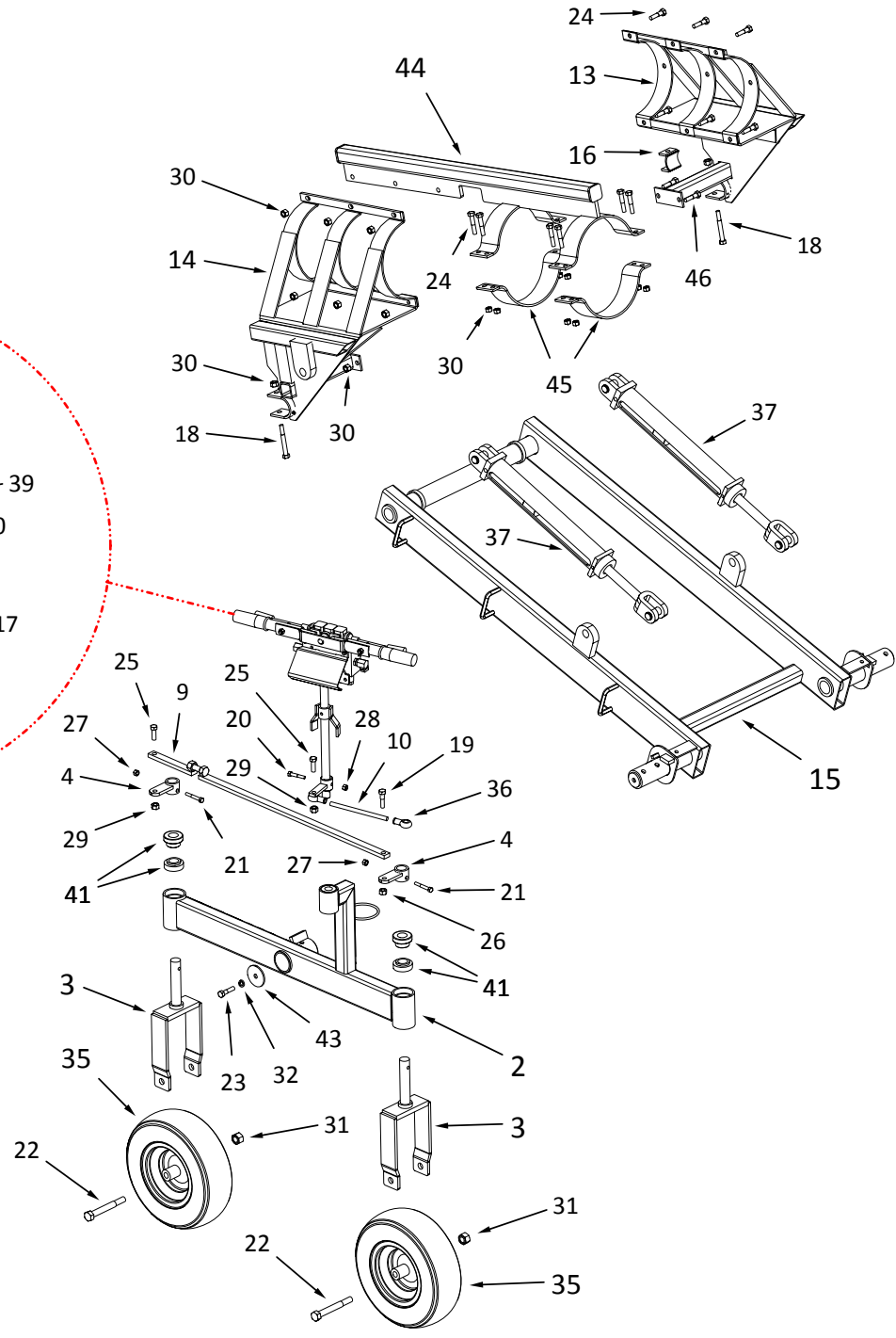
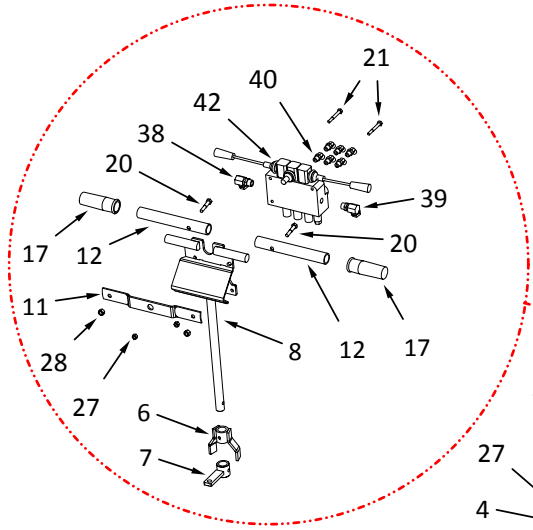
ITEM	PART NO.	DESCRIPTION
1	15040001	PINCH SD BOTTOM GUARD
2	15060061	SD COVER PLATE 6-1/2"ROLLER
3	15060079	S-DRIVE TAKEUP BRACKET
4	15060082	PINCH TIGHTENER PLATE
5	15060504	PRETENSIONER 1550
6	15061045	S-DRIVE PINCH
7	15061046	SIDE GUARD LH
8	15061047	SIDE GUARD RH
9	15062010	PINCH PIPE
10	15062179	S-DRIVE SLIDER BOLT PLATE - BOTTOM
11	15062180	S-DRIVE SLIDER BOLT PLATE - TOP
12	15070019	3-1/2"TAKE-UP (PINCH)
13	15070020	3-1/2"TAKE-UP 19.5"SHAFT
14	15070030	DRIVE ROLLER-6-1/2" W/EXT SHAFT
15	P0113000	SPRING TENSION BOLT
16	P0113001	CARRIAGE BOLT 1/2"X2" PLATED
17	P0113004	CARRIAGE BOLT 1/2"X1-1/2"PLATED
18	P0118033	BOLT 1/4" X 3/4" GR8 PLATED
19	P0118046	BOLT 3/8" X 1" GR8 PLATED
20	P0131019	NUT 3/4" PLATED GRADE 8
21	P0134026	LOCKNUT-NYLON-3/8" GRADE 8
22	P0134008	LOCKNUT-NYLON-1/2"
23	P0145002	SET SCREW-7/16"X2-1/2"SQ.HD.
24	P0151015	FLAT WASHER 3/4"PLATED USS
25	P0152004	LOCK WASHER 1/4"PLATED
26	P0167001	SPRING PIN 1/4" X 1-1/2"
27	P0351015	MACHINERY BUSH 3/4"X1-1/4"-14G PTD.
28	P0511008	SPRING-LD-1300 SERIES
29	P0820129	BUSHING BRASS FLANGED
30	P1210102	BELT TIGHTENER SLIDER PLATE FL208
31	P1711001	FLANGE UNIT-1-1/2"-SAFL208-24
32	P1711004	FLANGE UNIT-1"-SAFL205-16
33	P1721001	TAKE-UP UNIT-1-1/4"-T206-20
34	P2515006	15 S-DRIVE TIGHTENER BOLT
35	P20315001	S-DRIVE RETURN-1" ROLLER

HOPPER (15000304P)



HOPPER (15000304P)

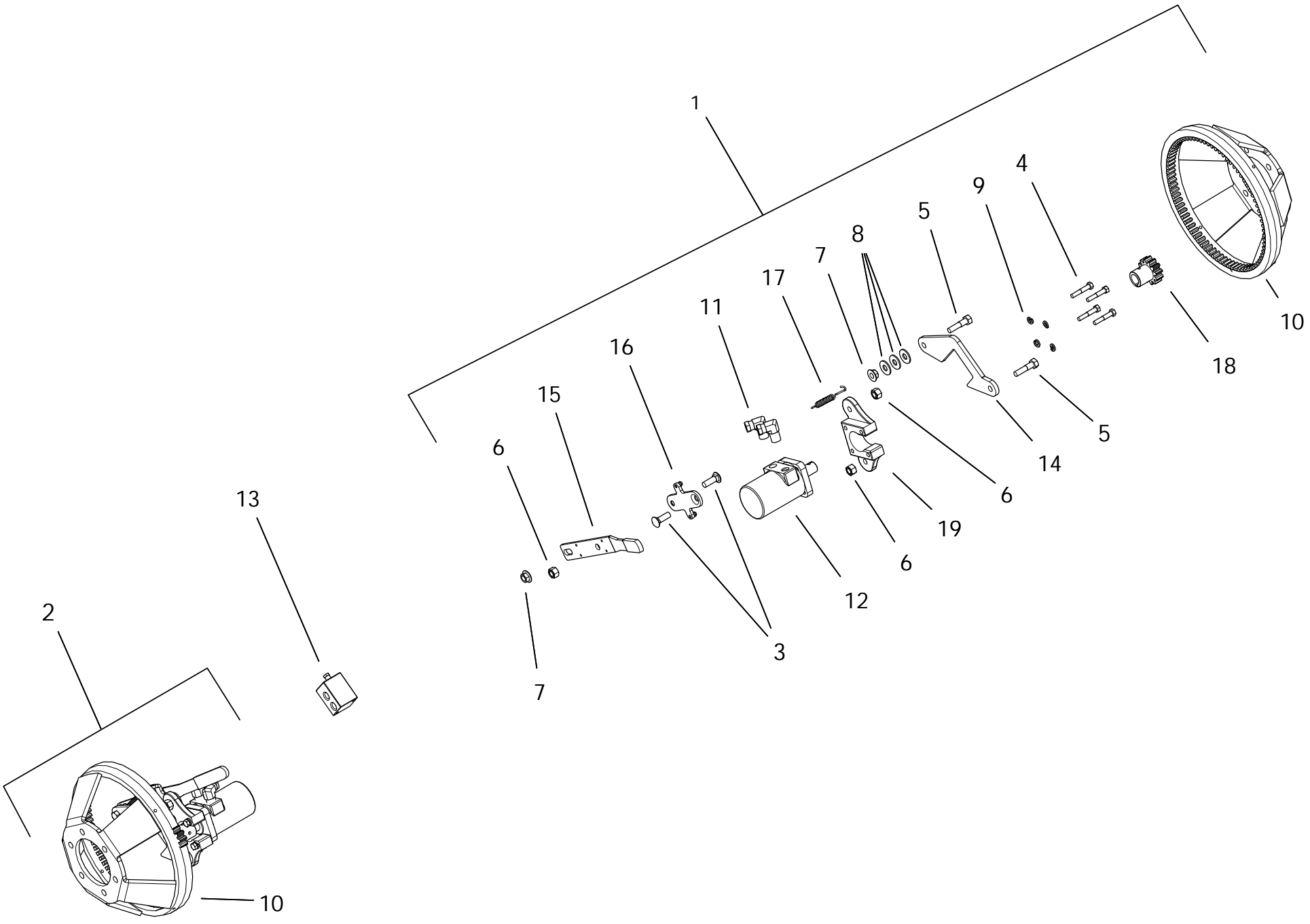
ITEM	PART NO.	DESCRIPTION
1	13052001	LOWER CLOTH FRAME STD BACK
3	15052004	UPPER CLOTH FRAME STD
4	15052101	LOWER CLOTH FRAME STD SIDE
5	15052102	LOWER CLOTH FRAME STD FRONT
6	15070009	HOPPER/SPOUT ROLLER LAGGED
7	P0113004	CARRIAGE BOLT 1/2"X1-1/2"PLATED
8	P0113015	CARRIAGE BOLT 3/8"X1" PLATED
9	P0114007	TAP BOLT 3/4 X 7 PLATED
10	P0118061	BOLT 5/16" X 1" GR8 PLATED
11	P0116001	ELEVATOR BOLT 1/4"X1-1/4"
13	P0131016	NUT 1/4" PLATED GRADE 8
14	P0131017	NUT 5/16" PLATED GRADE 8
15	P0131019	NUT 3/4" PLATED GRADE 8
16	P0134026	LOCKNUT-NYLON-3/8" GRADE 8
17	P0134008	LOCKNUT-NYLON-1/2"
18	P0141002	TEK SCREW 1/4"X1"
19	P0145001	VINYL SCREW CAP
20	P0151006	FLAT WASHER 1/4"PLATED USS
22	P0161003	COTTER PIN 3/16"X1-1/2"PLATED
23	P0162007	HOPPER PIVOT SHAFT-13/15
24	P0521001	HOPPER SPRING-L
25	P0521002	HOPPER SPRING-R
26	P1621007	HOPPER CANVAS-15 CONV.
27	P1641015	TRIM LOCK
28	P1711001	FLANGE UNIT-1-1/2"-SAFL208-24
29	P2515017	PIVOT SHAFT BRACKET
30	P11150047	HOPPER SHIELD
31	P19159000	HOPPER LEFT FLASHING STD
32	P19159001	HOPPER RIGHT FLASHING STD
33	P19159002	HOPPER FRONT FLASHING STD
34	15000314	HOPPER -LINER KIT STD
35	15000306P	HOPPER -FLASHING ONLY STD
36	15000304P	HOPPER -COLLAPSABLE STD



WHEEL MOVE

ITEM	PART NO.	DESCRIPTION
1	13120003	WALKING BEAM
2	13120004	WALKING BEAM-STEERING
3	13120005	FORK-STRAIGHT
4	13120007	STEERING PIPE
5	13120008	LOCKING PIPE
6	13120023	STEERING STOP
7	13120024	HD CASTOR RETAINER C/W YOKE LINK AR
8	13120125	STEERING WELDMENT
9	13122023	STEERING LINK ARM
10	13122076	LINKAGE - THREADED 1/2X8 ROD
11	13122078	HANDLE JOINT
12	13122087	WM STEERING HANDLE PIPE
13	15120001	WHEEL MOVE BASE LEFT
14	15120002	WHEEL MOVE BASE RIGHT
15	15120003	CAM LIFT
16	15120004	SWIVEL BLOCK
17	P02-0200344	HANDLE GRIP 1-1/4"
18	P0118019	BOLT 1/2" X 3-1/2" GR8 PLATED
19	P0118029	BOLT 1/4" X 2" GR8 PLATED
20	P0118050	BOLT 3/8" X 2" GR8 PLATED
21	P0118063	BOLT 5/16" X 2-1/2" GR8 PLATED
22	P0118133	BOLT 3/4" X 7" GR8 PLATED
23	P0118016	BOLT 1/2" X 2" GR8 PLATED
24	P0118017	BOLT 1/2"X2-1/2"GRADE 8 PLATED
25	P0118077	BOLT 7/16"X1-1/2" GRADE 8 PLATED
26	P0134023	LOCKNUT-NYLON-1/4" GR8
27	P0134027	LOCKNUT-NYLON-5/16" GRADE 8
28	P0134026	LOCKNUT-NYLON-3/8" GRADE 8
29	P0134007	LOCKNUT-NYLON-7/16"
30	P0134008	LOCKNUT-NYLON-1/2"
31	P0134029	LOCKNUT-NYLON-3/4" GRADE 8
32	P0152008	LOCK WASHER 1/2"PLATED
33	P0162004	HITCH PIN 1/2" X 5" PLATED
34	P0163001	HAIR PIN 3/16" X 3-1/4"
35	P0614306	TIRE & RIM 480X8 LRC
36	P0631010	TIE ROD END BALL JOINT
37	P0812516	HYD CYL-2-1/2X16
38	P0820003	SWIVEL-10ORBx1/2F90
39	P0820009	SWIVEL-6MORBx1/2"FPT/90D
40	P0820611	ELBOW-6 ORBx3/8"JIC M 45
41	P1742002	BEARING-1-1/4"
42	P08610091	VALVE-3 SPL-W/2 HANDLES
43	P11130185	AXLE END CAP
44	15060022	MOVER FLANGE SUPPORT
45	P2513203P	3" U-CLAMP PAINTED
46	P0118013	BOLT 1/2"X1 1/2" GR.8 PLATED

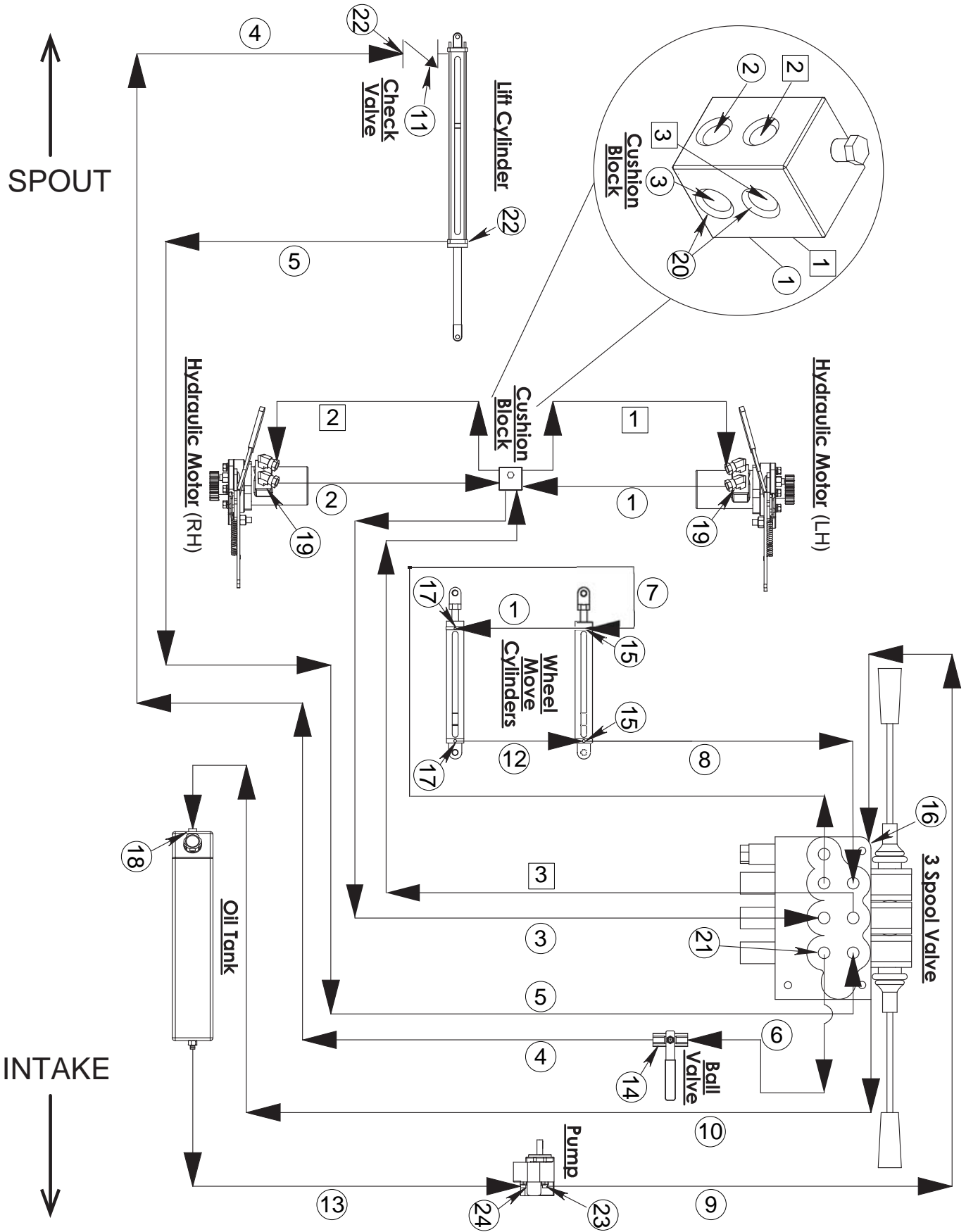
WHEEL MOVE DRIVE SYSTEM (13000144)



WHEEL MOVE DRIVE SYSTEM (13000144)

ITEM	PART NO.	DESCRIPTION
1	13000120	WM DRIVE PINION GEAR ASSY - RIGHT
2	13000121	WM DRIVE PINION GEAR ASSY - LEFT
3	P0113004	CARRIAGE BOLT 1/2"X1-1/2"PLATED
4	P0118050	BOLT 3/8" X 2" GR8 PLATED
5	P0118016	BOLT 1/2" X 2" GR8 PLATED
6	P0134008	LOCKNUT-NYLON-1/2"
7	P0134108	LOCKNUT-TENSILOCK-1/2"
8	P0151029	FLAT WASHER 1/2"PLATED USS
9	P0152006	LOCK WASHER 3/8"PLATED
10	P0615314	RING GEAR - 6 BOLT C/W MOUNT PLATE
11	P0820013	SWIVEL-1/2MX3/8F90
12	P0841012	HYD MOTOR-6.3 (5.9H) RS-1/2" HOLE
13	P0861201	CUSHION BLOCK, COMPLETE
14	P11130126	WHEEL-MOVE AXLE TAB 3"
15	P020200007	HANDLE WITH GRIP
16	15121033	PAINTED HANDLE LINK ARM
17	P020200009	HANDLE SPRING
18	P020200333	PINION GEAR-1"ID 3/8"HOLE
19	P020200338A	MOTOR ARM -EYEGLOSS PIECE, DRILLED
20	P0163011	HAIR PIN 5/32X2-15/16 (66326)
21	P0821127	SWIVEL-3/8"-STR.

WHEEL MOVE HYDRAULIC SCHEMATIC

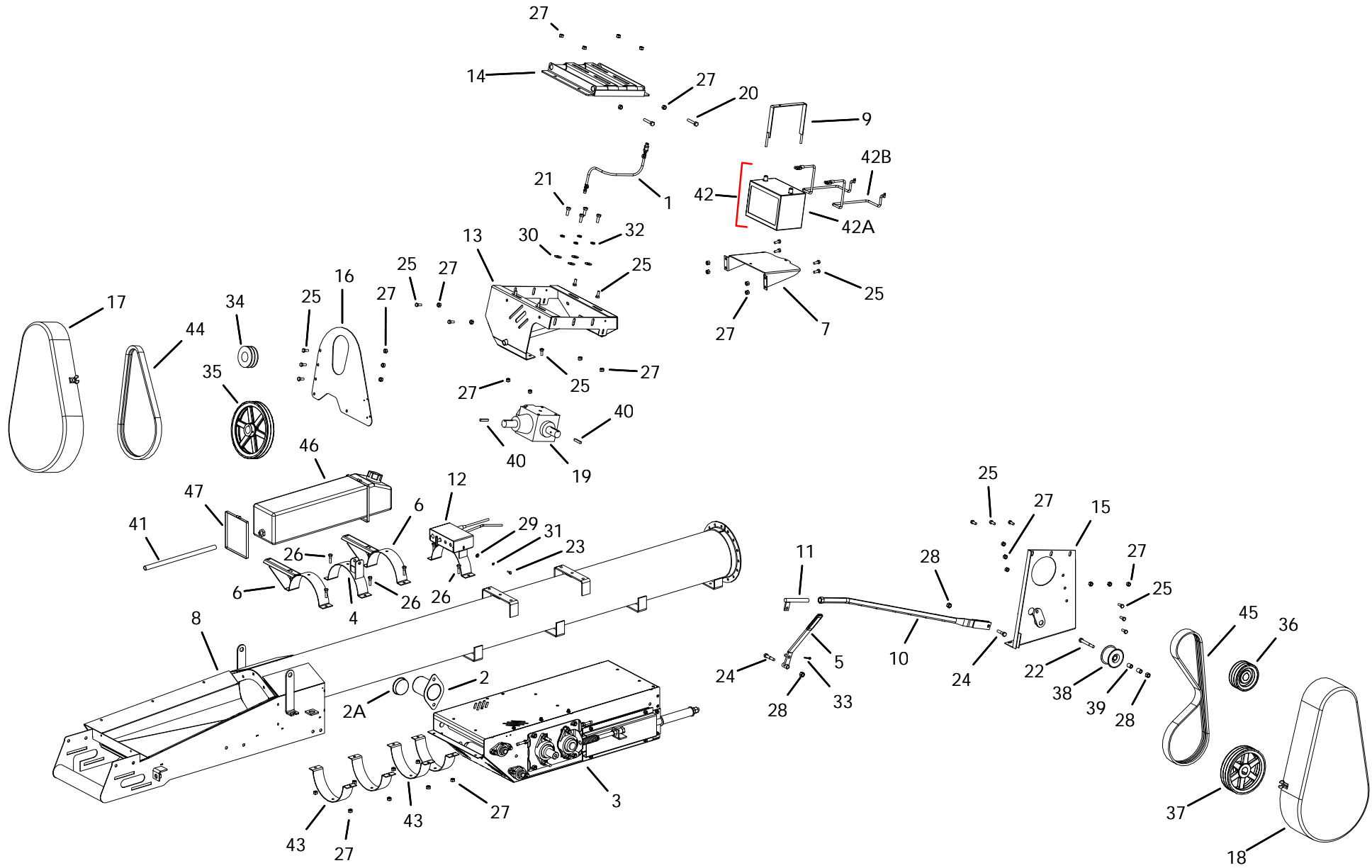


WHEEL MOVE HYDRAULIC SCHEMATIC

ITEM	PART NO.	DESCRIPTION
1	P0832019	HOSE 3/8(7'6")-3/8MPT-3/8MPT PC
2	P0832028	HOSE 3/8(1'8")-3/8MPT-3/8MPT PC
3	P0832045	HOSE 3/8(38')-3/8MPT-3/8FJIC PC
4	P0832048	HOSE 3/8(39')-1/2MPT-1/2MPT PC
5	P0832041	HOSE 3/8(49'6")-1/2MPT-3/8FJICX PC
6	P0832043	HOSE 3/8(10'6")-1/2MPT-3/8FJIC PC
7	P0832026	HOSE 3/8(7')-3/8FJICX-3/8MPT PC
8	P0832040	HOSE 3/8(5'10")-3/8MPT-3/8FJICX PC
9	P0832053	HOSE 1/2(11'6")-1/2"MPT-1/2"MPT PC
10	P0832031	HOSE 1/2(15')-1/2MPT-1/2MPT PC
11	P0861035	CHECK VALVE-1/2" (NO HOLE)
12	P0832029	HOSE 3/8(5'6")-3/8MPT-3/8MPT PC
13	01010148	HOSE 3/4(5')-HOSE-HOSE
14	P0861001	BALL VALVE-1/2"
15	P029900791	TEE-3/8"FSX3/8"MX3/8"FS
16	P0820010	SWIVEL-8MORBX1/2"FPT/90D
17	P0820007	SWIVEL-3/8"PT/90D
18	P0821112	SWIVEL-1/2" STRAIGHT
19	P0820013	SWIVEL-1/2MX3/8F90
20	P0821127	SWIVEL-3/8"-STR.
21	P0820611	ELBOW-6 ORBX3/8"JIC M 45
22	P0820001	SWIVEL-1/2"90 DEGREE
23	P0821129	SWIVEL-6MORBX1/2"FPT
24	P0820702	HOSE BARB-10MORBX3/4"HOSE

GAS DIRECT DRIVE KIT (15593100)

264



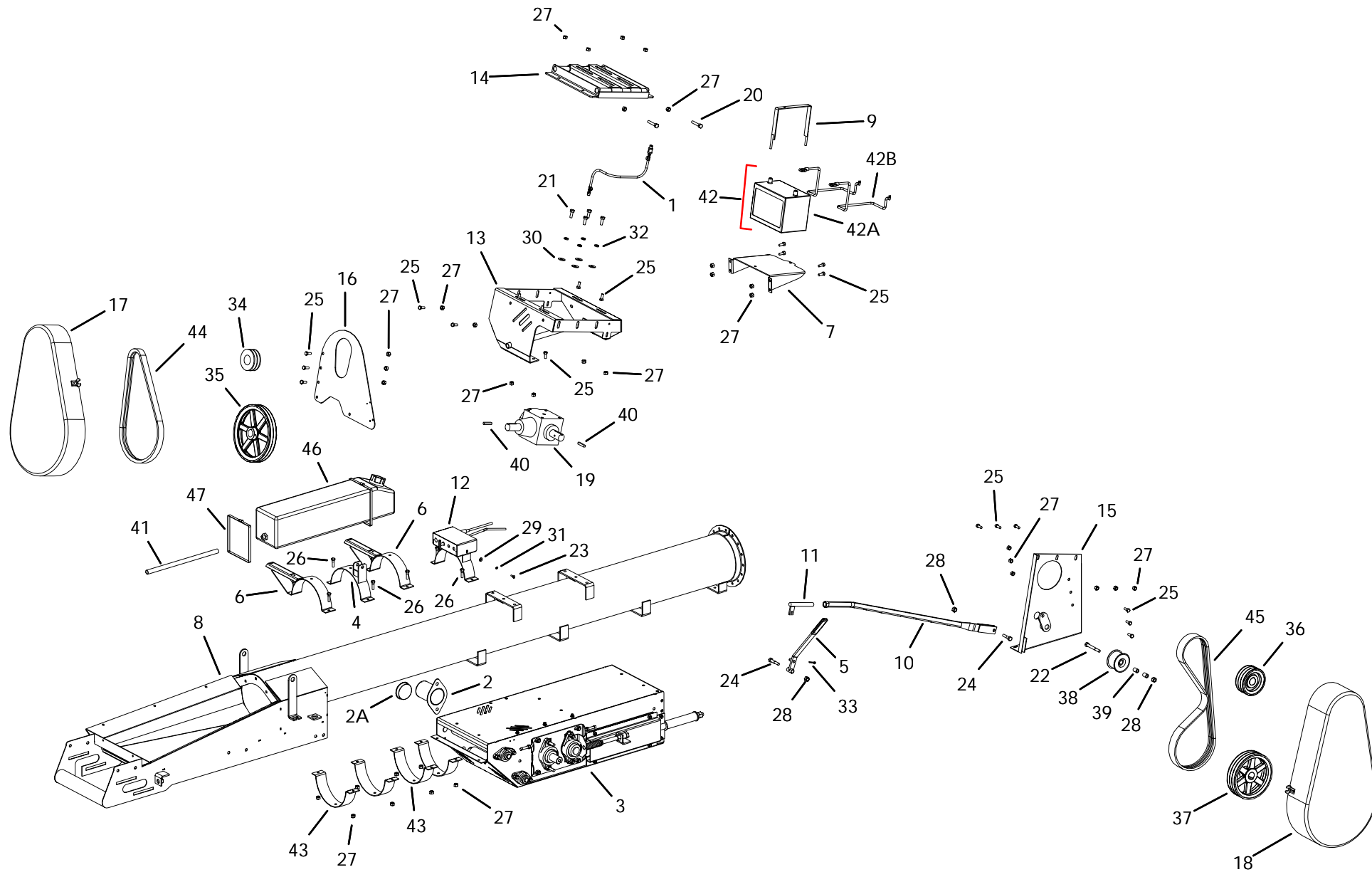
Note: Gas Drive Kit (15593100) does not include item # 8, 34 & 42.

GAS DIRECT DRIVE KIT (15593100)

ITEM	PART NO.	DESCRIPTION
1	01010003	BREATHER DIRECT DRIVE
2	24041038	SHAFT GUARD(FL-210)
3	15590020	S-DRIVE ASM W/PINCH
4	13010048	MOTOR MT OVERCENTER ANCHOR BKT
5	13010054	MOTOR MT OVERCENTER HANDLE
6	13011038	PLASTIC TANK SIDE MOUNT W 2.5" CLAM
7	13012108	MOTOR MOUNT BATTERY MOUNT
8	13020040	BT HOPPER SECTION 10' WITH SD BKTS
9	13060054	BATTERY CLAMP
10	13060068	MOTOR MT OVERCENTER PUSHROD
11	13060074	OVERCENTER ADJUSTER
12	13060080	DIRECT DRV CONTROL BOX
13	13060102	MOTOR MOUNT
14	13060103	SLIDER MOUNT
15	13060105	MOTOR MOUNT BACK PLATE
16	13060107	ENGINE GUARD BACK
17	15040055	PINCH GUARD SMALL ASSEMBLED
18	15040056	PINCH GUARD MED ASSEMBLED
19	15591001	GBOX 90 2:1 CW/CW 1-1/2 4190 W/OIL
20	P0114005	TAP BOLT 1/2 X 2-1/2 GR.8 PLATED
21	P0115020	BOLT 1/2" X 1-1/4" GR5 PLATED
22	P0118130	BOLT 1/2" X 4" GR8 PLATED
23	P0118033	BOLT 1/4" X 3/4" GR8 PLATED
24	P0118016	BOLT 1/2" X 2" GR8 PLATED
25	P0118076	BOLT 7/16"X1" GRADE 8 PLATED
26	P0118077	BOLT 7/16"X1-1/2" GRADE 8 PLATED
27	P0134007	LOCKNUT-NYLON-7/16"
28	P0134008	LOCKNUT-NYLON-1/2"
29	P0151006	FLAT WASHER 1/4"PLATED USS
30	P0151029	FLAT WASHER 1/2"PLATED USS
31	P0152004	LOCK WASHER 1/4"PLATED
32	P0152008	LOCK WASHER 1/2"PLATED
33	P0161003	COTTER PIN 3/16"X1-1/2"PLATED
34	P0328018	PULLEY-DBL-BK-4"H
35	P0328024	PULLEY-DBL-12" W/1-1/2"BORE
36	P0328050	PULLEY-TRPL-6" W/1-1/2"BORE
37	P0328079	PULLEY-TRPL-10" W/1-1/2"BORE
38	P0328910	IDLER-FLAT-4"TRPL 2-7/16"WIDE
39	P0351019	BUSHING 3/4"ODX1/2"IDX1"BRONZE
40	P0391002	KEY 3/8" X 2" LONG
41	P0831008	FUEL LINE-1/4"ID
42	P0951013	BATTERY 420CCA
43	P2219801P	U-CLAMP HANGER-10"X2-1/2"-BLACK
44	P03210531	BELT 2B53 BANDED
45	P03210652	BELT 3B65 BANDED
46	P021200051	GAS TANK W/CAP W/FITTING-22L

GAS DIRECT DRIVE KIT (15593100)

266

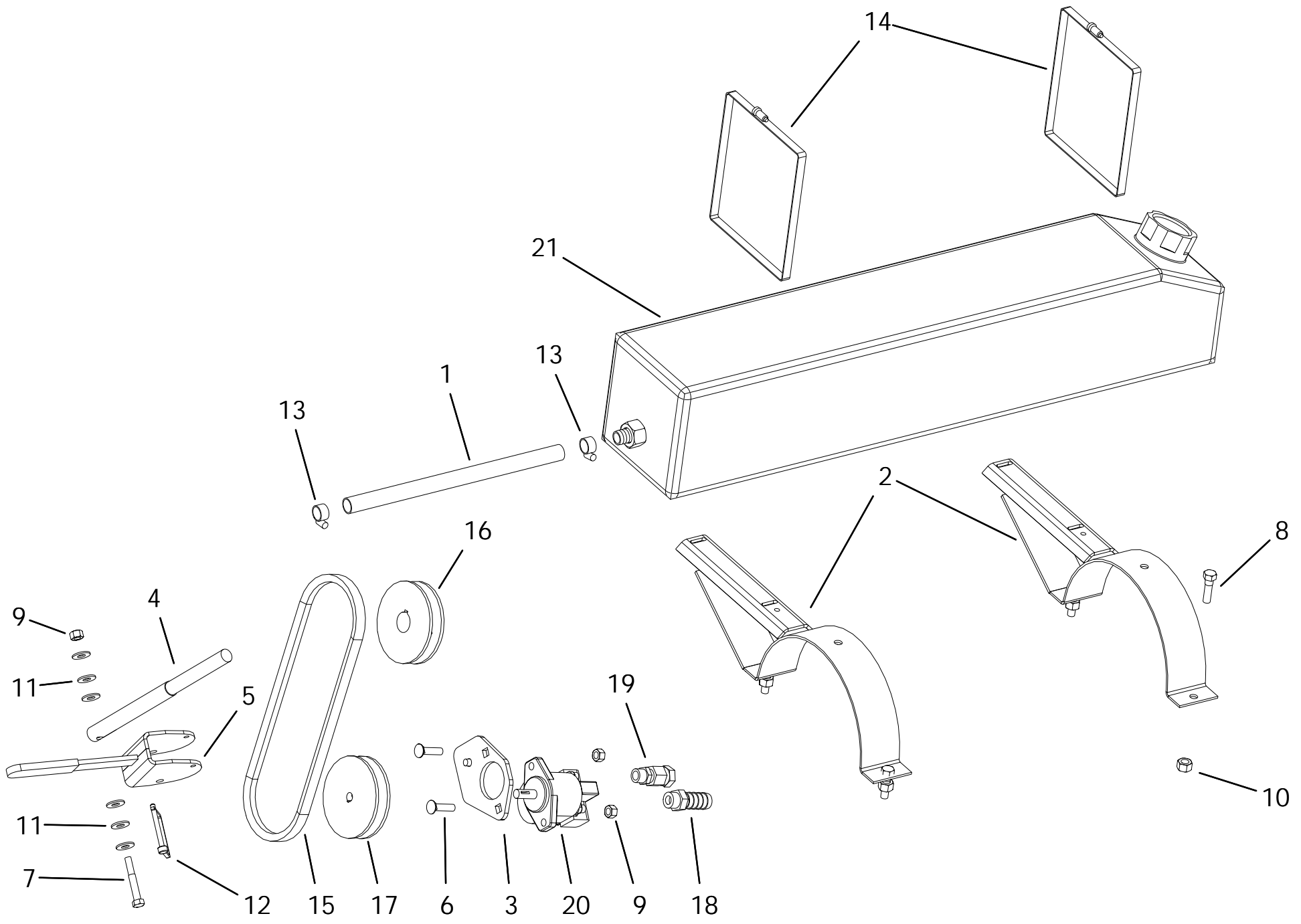


Note: Gas Drive Kit (15593100) does not include item # 8, 34 & 42.

GAS DIRECT DRIVE KIT (15593100)

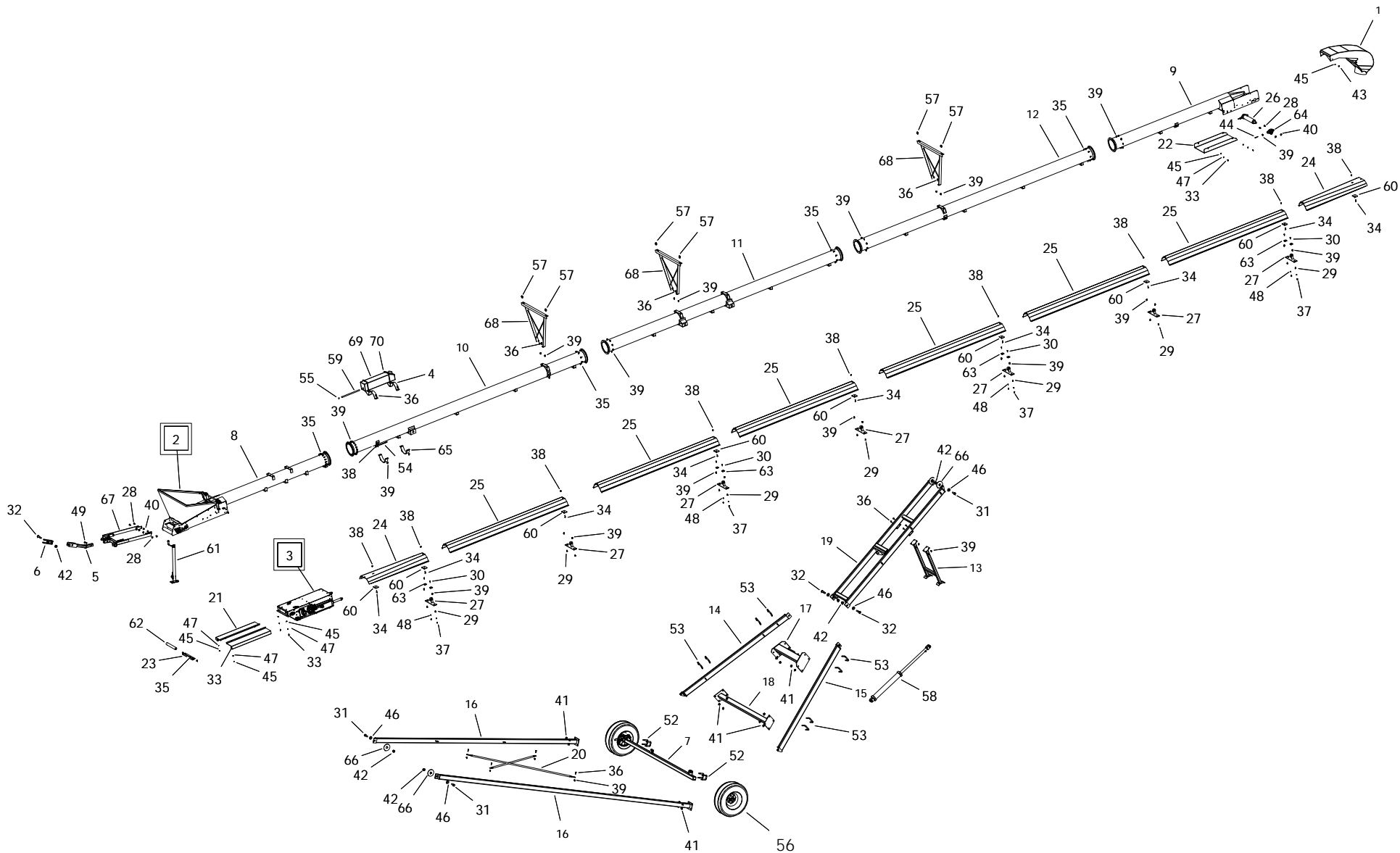
ITEM	PART NO.	DESCRIPTION
47	P029900216	GEAR CLAMP 32"

WET KIT GAS (1559408X) - 45



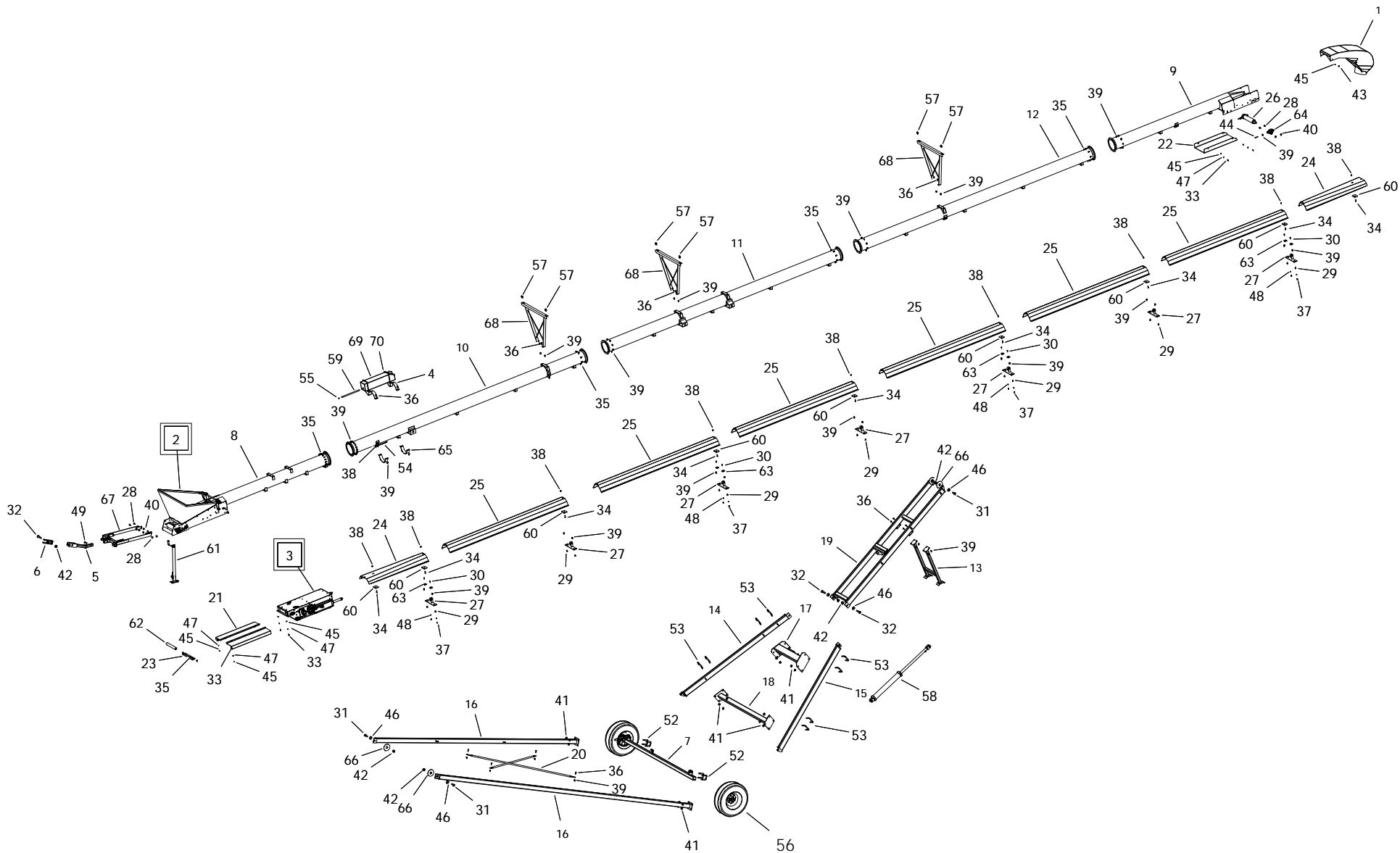
WET KIT GAS (1559408X) - 45

ITEM	PART NO.	DESCRIPTION
1	01010188	HOSE 3/4(9')-HOSE-HOSE
2	13011038	PLASTIC TANK SIDE MOUNT W 2.5" CLAM
3	13060104	PUMP MOUNT -PINCH DRIVE
4	13100028	PIVOT HANDLE SHAFT
5	13100035	PIVOT HANDLE
6	P0113018	CARRIAGE BOLT 3/8"X1 1/2"PLATED
7	P0118051	BOLT 3/8" X 2-1/2" GR8 PLATED
8	P0118077	BOLT 7/16"X1-1/2" GRADE 8 PLATED
9	P0134026	LOCKNUT-NYLON-3/8" GRADE 8
10	P0134007	LOCKNUT-NYLON-7/16"
11	P0151009	FLAT WASHER 3/8"PLATED USS
12	P0163010	QUICK PIN 1/4X2-1/2
13	P0184006	HOSE CLAMP-3/4"(HS12)
14	P029900216	GEAR CLAMP 32"
15	P0321035	BELT B35
16	P0328905	PULLEY-4-1/2"X1-1/8"
17	P0328906	PULLEY-4-1/2"X1/2"
18	P0820702	HOSE BARB-10MORBX3/4"HOSE
19	P0821130	SWIVEL-8 ORBX1/2"FPS
20	P0841033	PUMP-SMALL
20	P0841033S	PUMP-0.375 CW/END PORTS SEAL
21	P029900052-3	TANK, 22L, BLK W/FTG, CAP HOSE



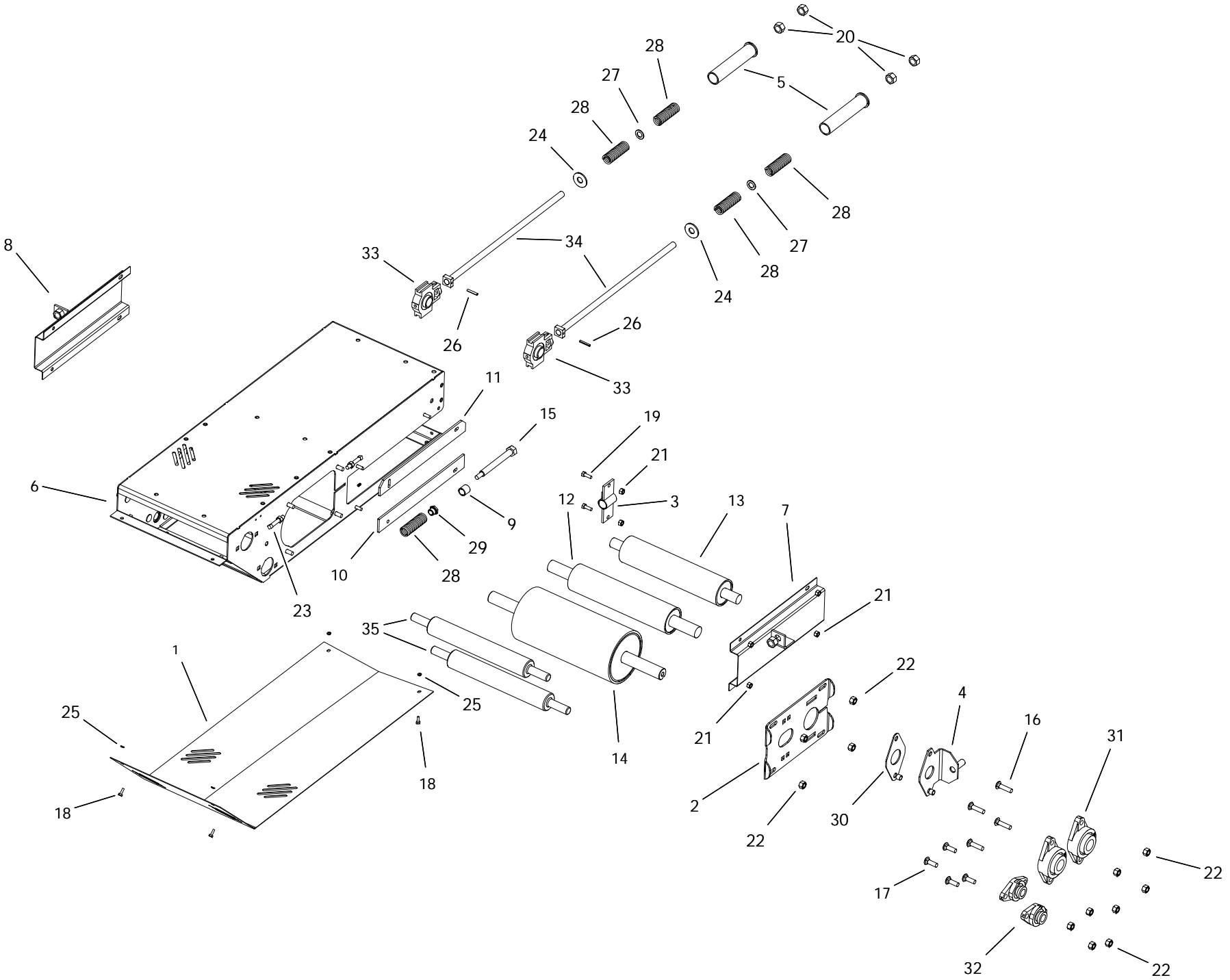
1585 FMD-15508515

ITEM	PART NO.	DESCRIPTION
1	P1211501	HOOD-ROUND 15 SERIES (KANBAN)
2	15000304P	HOPPER -COLLAPSABLE STD
3	15590020	S-DRIVE ASM W/PINCH
4	13011038	PLASTIC TANK SIDE MOUNT W 2.5" CLAM
5	13030016	Tongue
6	13030017	CLEVIS
7	13030105	1365-85 Axle (6 bolt)
8	15020040	BT HOPPER SECTION 10' WITH SD BKTS
9	15020045	SPOUT SECTION 10' W/CABLE RTRN BKT
10	15020051	BOTTOM TUBE WITH ANCHORS
11	15020052	SUSPENSION BRACKET TUBE
12	15020053	UPPER CENTER 20' TUBE
13	15031001	65/75 TRANSPORT BRACE
14	15031039	85 LIFT ARM RIGHT
15	15031040	85 LIFT ARM LEFT
16	15031041	85 AXLE ARM
17	15031043	85 UPPER LIFT ARM BRACE
18	15031044	LOWER LIFT ARM BRACE 85
19	15031045	LADDER 85
20	15032030	CROSS BRACE
21	15042040	SD-HOPPER BELT GUARD
22	15042093	SPOUT BOTTOM COVER
23	15042094	HOPPER GUARD BRACKET
24	15042102	WEATHER GUARD 5' FLR - 61-1/2"
25	15042121	WEATHER GUARD 10' - 121-1/2"
26	15070009	HOPPER/SPOUT ROLLER LAGGED
27	150100811	WEATHER GUARD MOUNT BAR KIT-POLY
28	P0113004	CARRIAGE BOLT 1/2"X1-1/2"PLATED
29	P0113013	CARRIAGE BOLT 7/16"X1" PLATED
30	P0113020	CARRIAGE BOLT 5/16"X1-1/2"PLATED
31	P0118004	BOLT 1" X 3" GR8 PLATED
32	P0118007	BOLT 1" X 4-1/2" GR8 PLATED
33	P0118033	BOLT 1/4" X 3/4" GR8 PLATED
34	P0115303	CAPSCREW 3/8X1-1/4FLT HD SOCKET PTD
35	P0118076	BOLT 7/16"X1" GRADE 8 PLATED
36	P0118077	BOLT 7/16"X1-1/2" GRADE 8 PLATED
37	P0131017	NUT 5/16" PLATED GRADE 8
38	P0134026	LOCKNUT-NYLON-3/8" GRADE 8
39	P0134007	LOCKNUT-NYLON-7/16"
40	P0134008	LOCKNUT-NYLON-1/2"
41	P0134029	LOCKNUT-NYLON-3/4" GRADE 8
42	P0134030	LOCKNUT-NYLON-1" GRADE 8
43	P0141002	TEK SCREW 1/4"X1"
44	P0145002	SET SCREW-7/16"X2-1/2"SQ.HD.
45	P0151006	FLAT WASHER 1/4"PLATED USS
46	P0151031	FLAT WASHER 1"PLATED USS



1585 FMD-15508515

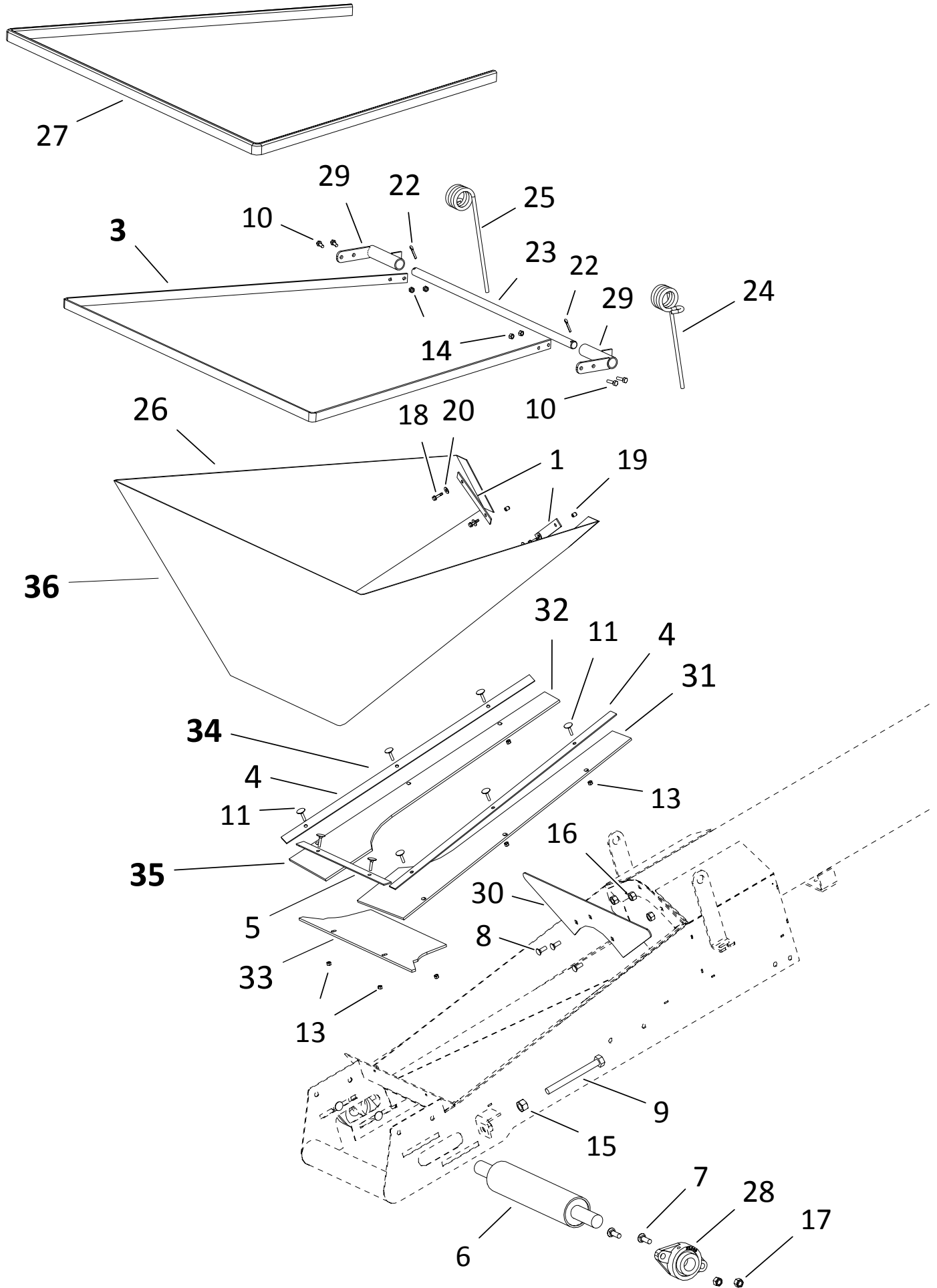
ITEM	PART NO.	DESCRIPTION
47	P0152004	LOCK WASHER 1/4" PLATED
48	P0152010	LOCK WASHER 5/16" PLATED
49	P0162001	HITCH PIN 1/2" X 3" PLATED
52	P0183012	U-BOLT 3-1/2" X 3-1/2" X 3/4" PTD
53	P0183006	U-BOLT 6" X 2" - PLATED
54	P0183021	3/8" EYE BOLT ASM
55	P0184033	WIRE HOSE CLAMP .500"
56	P0615308	TIRE ASM -6BLT ST205/75R15 LRC 6PL
57	P0712109	CABLE CLAMP-3/8"
58	P0814036	HYD CYL 4 X 36
59	P0831008	FUEL LINE-1/4" ID
60	P1010001	UNI-MOUNT PLATE CAST
61	P1012009	JACK-7000LB SQ.TUBE 25" EXT
62	P1021006	ROLLER HEX 15-7/8"
63	P1210030	BELT GUIDE BLOCK
64	P1711001	FLANGE UNIT-1-1/2"-SAFL208-24
65	P2219801P	U-CLAMP HANGER-10"X2-1/2"-BLACK
66	P2515002	FRAME BUSHING
67	15030015	15 SERIES HITCH
68	15010103	HIGH CABLE BRIDGE
69	P021200051	GAS TANK W/CAP W/FITTING-22L
70	P029900216	GEAR CLAMP 32"
71	15570751	1575 155'
72	P07111111	CABLE-3/8" (112')
73	P1243001	CABLE TIE 14" 120 LB
74	P2227989	MANUAL HOLDER AND LID
75	13060080	DIRECT DRV CONTROL BOX
76	P0712113	THROTTLE CONTROL 10'
77	P0712103	CHOKE CABLE-9' LOCKING



S-DRIVE (15590020)

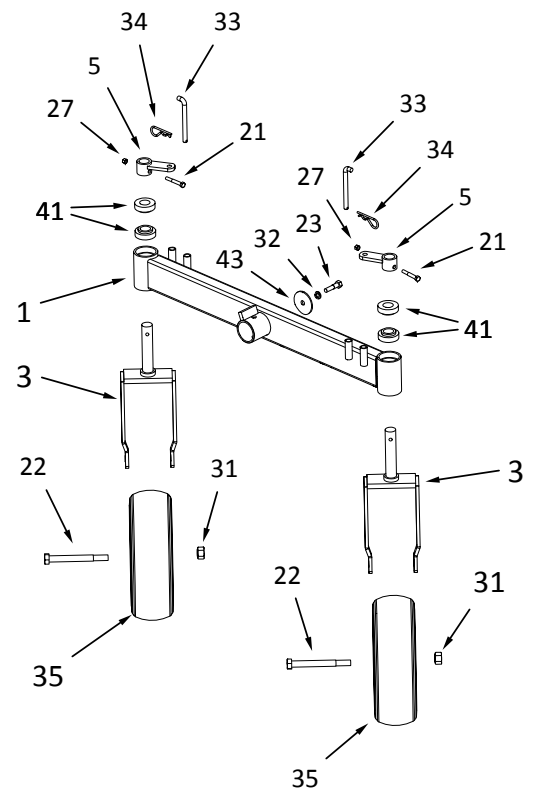
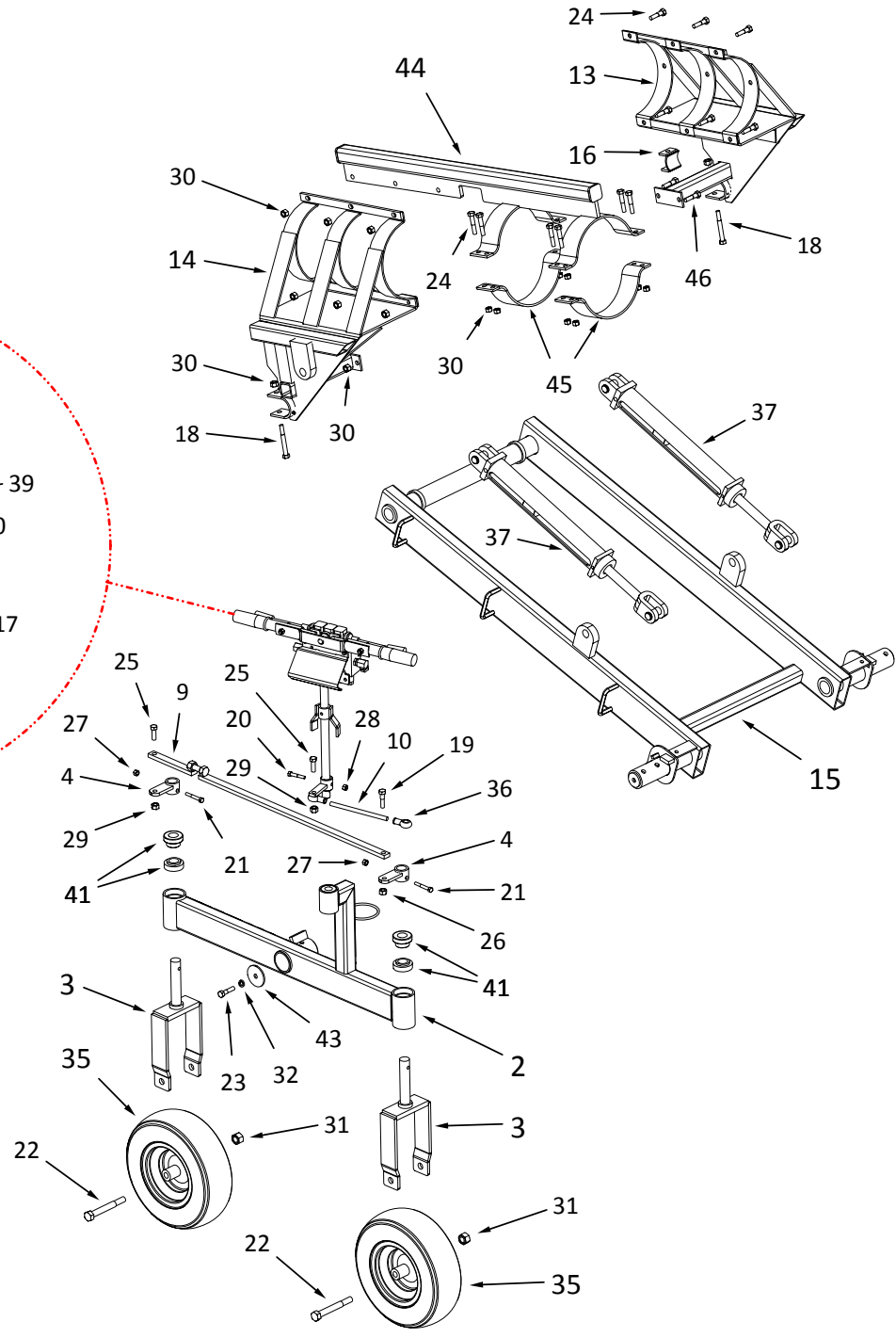
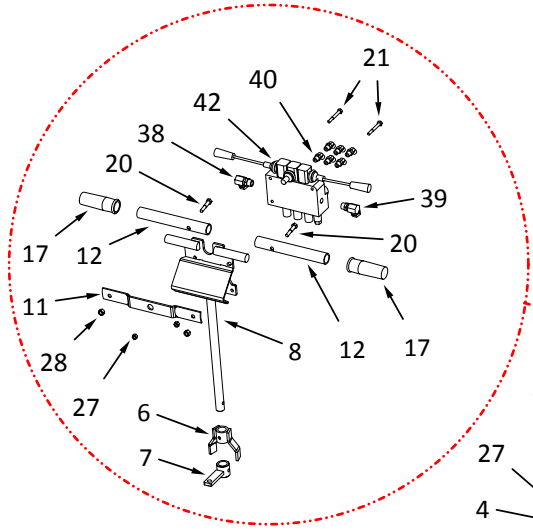
ITEM	PART NO.	DESCRIPTION
1	15040001	PINCH SD BOTTOM GUARD
2	15060061	SD COVER PLATE 6-1/2"ROLLER
3	15060079	S-DRIVE TAKEUP BRACKET
4	15060082	PINCH TIGHTENER PLATE
5	15060504	PRETENSIONER 1550
6	15061045	S-DRIVE PINCH
7	15061046	SIDE GUARD LH
8	15061047	SIDE GUARD RH
9	15062010	PINCH PIPE
10	15062179	S-DRIVE SLIDER BOLT PLATE - BOTTOM
11	15062180	S-DRIVE SLIDER BOLT PLATE - TOP
12	15070019	3-1/2"TAKE-UP (PINCH)
13	15070020	3-1/2"TAKE-UP 19.5"SHAFT
14	15070030	DRIVE ROLLER-6-1/2" W/EXT SHAFT
15	P0113000	SPRING TENSION BOLT
16	P0113001	CARRIAGE BOLT 1/2"X2" PLATED
17	P0113004	CARRIAGE BOLT 1/2"X1-1/2"PLATED
18	P0118033	BOLT 1/4" X 3/4" GR8 PLATED
19	P0118046	BOLT 3/8" X 1" GR8 PLATED
20	P0131019	NUT 3/4" PLATED GRADE 8
21	P0134026	LOCKNUT-NYLON-3/8" GRADE 8
22	P0134008	LOCKNUT-NYLON-1/2"
23	P0145002	SET SCREW-7/16"X2-1/2"SQ.HD.
24	P0151015	FLAT WASHER 3/4"PLATED USS
25	P0152004	LOCK WASHER 1/4"PLATED
26	P0167001	SPRING PIN 1/4" X 1-1/2"
27	P0351015	MACHINERY BUSH 3/4"X1-1/4"-14G PTD.
28	P0511008	SPRING-LD-1300 SERIES
29	P0820129	BUSHING BRASS FLANGED
30	P1210102	BELT TIGHTENER SLIDER PLATE FL208
31	P1711001	FLANGE UNIT-1-1/2"-SAFL208-24
32	P1711004	FLANGE UNIT-1"-SAFL205-16
33	P1721001	TAKE-UP UNIT-1-1/4"-T206-20
34	P2515006	15 S-DRIVE TIGHTENER BOLT
35	P20315001	S-DRIVE RETURN-1" ROLLER

HOPPER (15000304P)



HOPPER (15000304P)

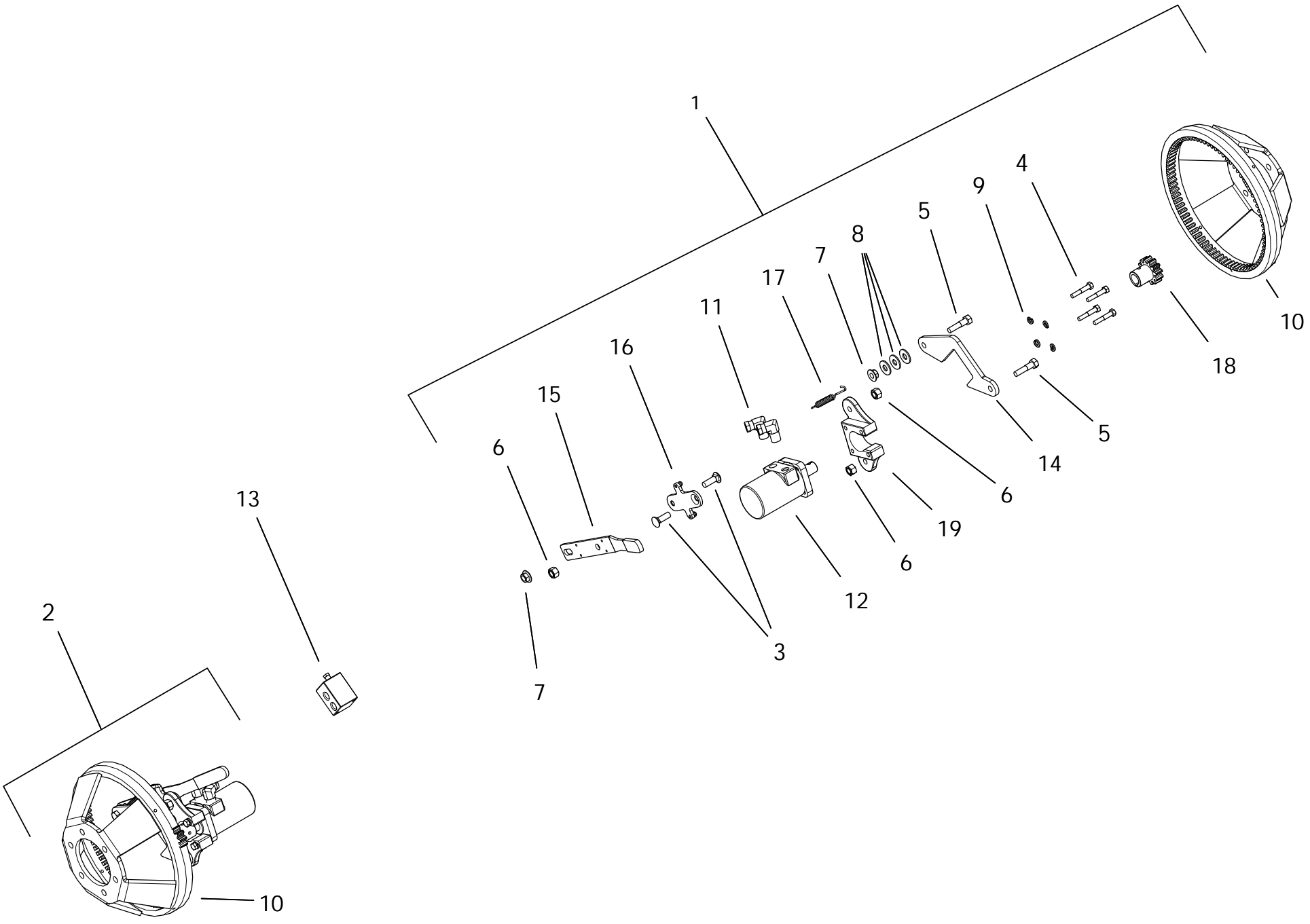
ITEM	PART NO.	DESCRIPTION
1	13052001	LOWER CLOTH FRAME STD BACK
3	15052004	UPPER CLOTH FRAME STD
4	15052101	LOWER CLOTH FRAME STD SIDE
5	15052102	LOWER CLOTH FRAME STD FRONT
6	15070009	HOPPER/SPOUT ROLLER LAGGED
7	P0113004	CARRIAGE BOLT 1/2"X1-1/2"PLATED
8	P0113015	CARRIAGE BOLT 3/8"X1" PLATED
9	P0114007	TAP BOLT 3/4 X 7 PLATED
10	P0118061	BOLT 5/16" X 1" GR8 PLATED
11	P0116001	ELEVATOR BOLT 1/4"X1-1/4"
13	P0131016	NUT 1/4" PLATED GRADE 8
14	P0131017	NUT 5/16" PLATED GRADE 8
15	P0131019	NUT 3/4" PLATED GRADE 8
16	P0134026	LOCKNUT-NYLON-3/8" GRADE 8
17	P0134008	LOCKNUT-NYLON-1/2"
18	P0141002	TEK SCREW 1/4"X1"
19	P0145001	VINYL SCREW CAP
20	P0151006	FLAT WASHER 1/4"PLATED USS
22	P0161003	COTTER PIN 3/16"X1-1/2"PLATED
23	P0162007	HOPPER PIVOT SHAFT-13/15
24	P0521001	HOPPER SPRING-L
25	P0521002	HOPPER SPRING-R
26	P1621007	HOPPER CANVAS-15 CONV.
27	P1641015	TRIM LOCK
28	P1711001	FLANGE UNIT-1-1/2"-SAFL208-24
29	P2515017	PIVOT SHAFT BRACKET
30	P11150047	HOPPER SHIELD
31	P19159000	HOPPER LEFT FLASHING STD
32	P19159001	HOPPER RIGHT FLASHING STD
33	P19159002	HOPPER FRONT FLASHING STD
34	15000314	HOPPER -LINER KIT STD
35	15000306P	HOPPER -FLASHING ONLY STD
36	15000304P	HOPPER -COLLAPSABLE STD



WHEEL MOVE

ITEM	PART NO.	DESCRIPTION
1	13120003	WALKING BEAM
2	13120004	WALKING BEAM-STEERING
3	13120005	FORK-STRAIGHT
4	13120007	STEERING PIPE
5	13120008	LOCKING PIPE
6	13120023	STEERING STOP
7	13120024	HD CASTOR RETAINER C/W YOKE LINK AR
8	13120125	STEERING WELDMENT
9	13122023	STEERING LINK ARM
10	13122076	LINKAGE - THREADED 1/2X8 ROD
11	13122078	HANDLE JOINT
12	13122087	WM STEERING HANDLE PIPE
13	15120001	WHEEL MOVE BASE LEFT
14	15120002	WHEEL MOVE BASE RIGHT
15	15120003	CAM LIFT
16	15120004	SWIVEL BLOCK
17	P02-0200344	HANDLE GRIP 1-1/4"
18	P0118019	BOLT 1/2" X 3-1/2" GR8 PLATED
19	P0118029	BOLT 1/4" X 2" GR8 PLATED
20	P0118050	BOLT 3/8" X 2" GR8 PLATED
21	P0118063	BOLT 5/16" X 2-1/2" GR8 PLATED
22	P0118133	BOLT 3/4" X 7" GR8 PLATED
23	P0118016	BOLT 1/2" X 2" GR8 PLATED
24	P0118017	BOLT 1/2"X2-1/2"GRADE 8 PLATED
25	P0118077	BOLT 7/16"X1-1/2" GRADE 8 PLATED
26	P0134023	LOCKNUT-NYLON-1/4" GR8
27	P0134027	LOCKNUT-NYLON-5/16" GRADE 8
28	P0134026	LOCKNUT-NYLON-3/8" GRADE 8
29	P0134007	LOCKNUT-NYLON-7/16"
30	P0134008	LOCKNUT-NYLON-1/2"
31	P0134029	LOCKNUT-NYLON-3/4" GRADE 8
32	P0152008	LOCK WASHER 1/2"PLATED
33	P0162004	HITCH PIN 1/2" X 5" PLATED
34	P0163001	HAIR PIN 3/16" X 3-1/4"
35	P0614306	TIRE & RIM 480X8 LRC
36	P0631010	TIE ROD END BALL JOINT
37	P0812516	HYD CYL-2-1/2X16
38	P0820003	SWIVEL-10ORBX1/2F90
39	P0820009	SWIVEL-6MORBX1/2"FPT/90D
40	P0820611	ELBOW-6 ORBX3/8"JIC M 45
41	P1742002	BEARING-1-1/4"
42	P08610091	VALVE-3 SPL-W/2 HANDLES
43	P11130185	AXLE END CAP
44	15060022	MOVER FLANGE SUPPORT
45	P2513203P	3" U-CLAMP PAINTED
46	P0118013	BOLT 1/2"X1 1/2" GR.8 PLATED

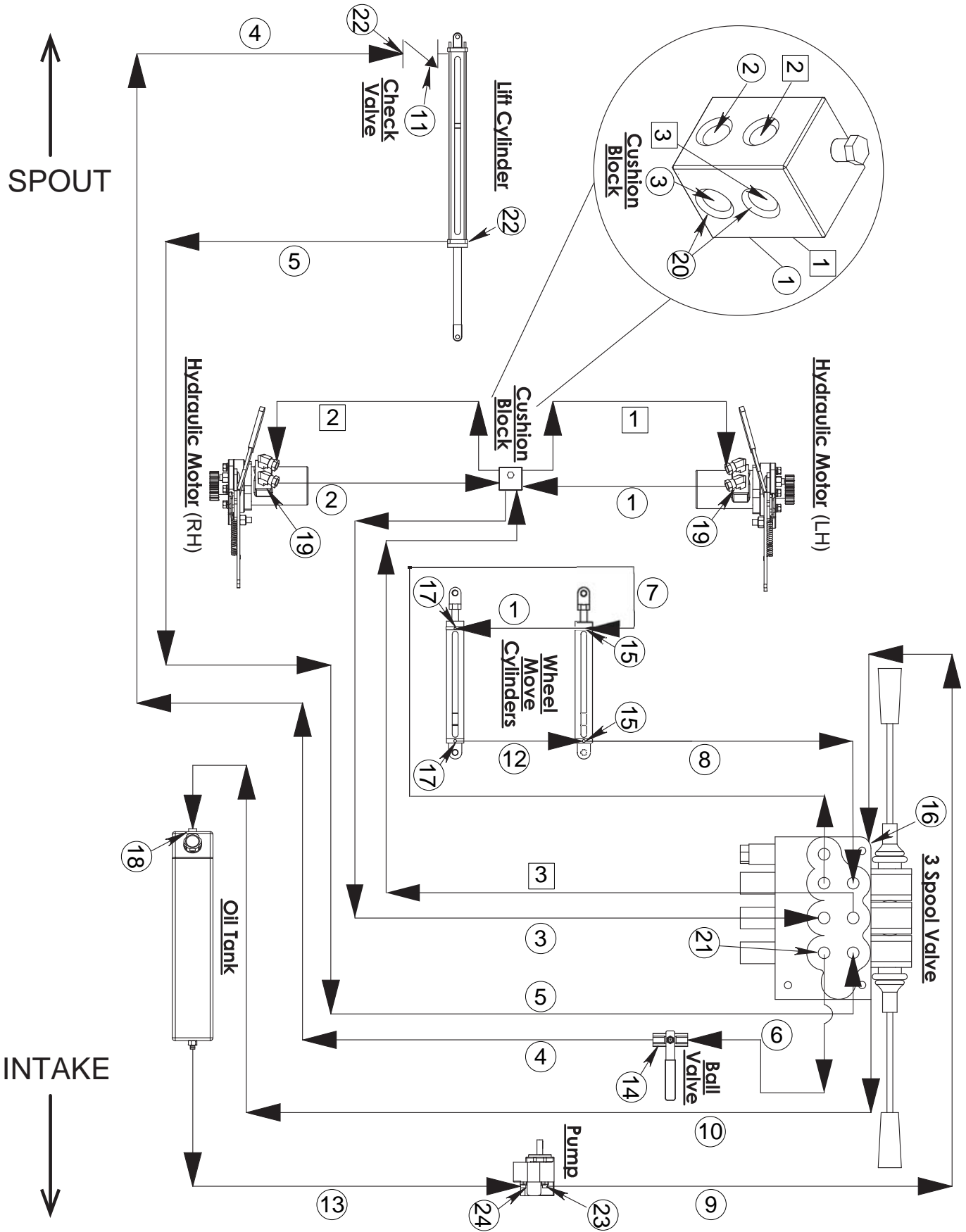
WHEEL MOVE DRIVE SYSTEM (13000144)



WHEEL MOVE DRIVE SYSTEM (13000144)

ITEM	PART NO.	DESCRIPTION
1	13000120	WM DRIVE PINION GEAR ASSY - RIGHT
2	13000121	WM DRIVE PINION GEAR ASSY - LEFT
3	P0113004	CARRIAGE BOLT 1/2"X1-1/2"PLATED
4	P0118050	BOLT 3/8" X 2" GR8 PLATED
5	P0118016	BOLT 1/2" X 2" GR8 PLATED
6	P0134008	LOCKNUT-NYLON-1/2"
7	P0134108	LOCKNUT-TENSILOCK-1/2"
8	P0151029	FLAT WASHER 1/2"PLATED USS
9	P0152006	LOCK WASHER 3/8"PLATED
10	P0615314	RING GEAR - 6 BOLT C/W MOUNT PLATE
11	P0820013	SWIVEL-1/2MX3/8F90
12	P0841012	HYD MOTOR-6.3 (5.9H) RS-1/2" HOLE
13	P0861201	CUSHION BLOCK, COMPLETE
14	P11130126	WHEEL-MOVE AXLE TAB 3"
15	P020200007	HANDLE WITH GRIP
16	15121033	PAINTED HANDLE LINK ARM
17	P020200009	HANDLE SPRING
18	P020200333	PINION GEAR-1"ID 3/8"HOLE
19	P020200338A	MOTOR ARM -EYEGLOSS PIECE, DRILLED
20	P0163011	HAIR PIN 5/32X2-15/16 (66326)
21	P0821127	SWIVEL-3/8"-STR.

WHEEL MOVE HYDRAULIC SCHEMATIC

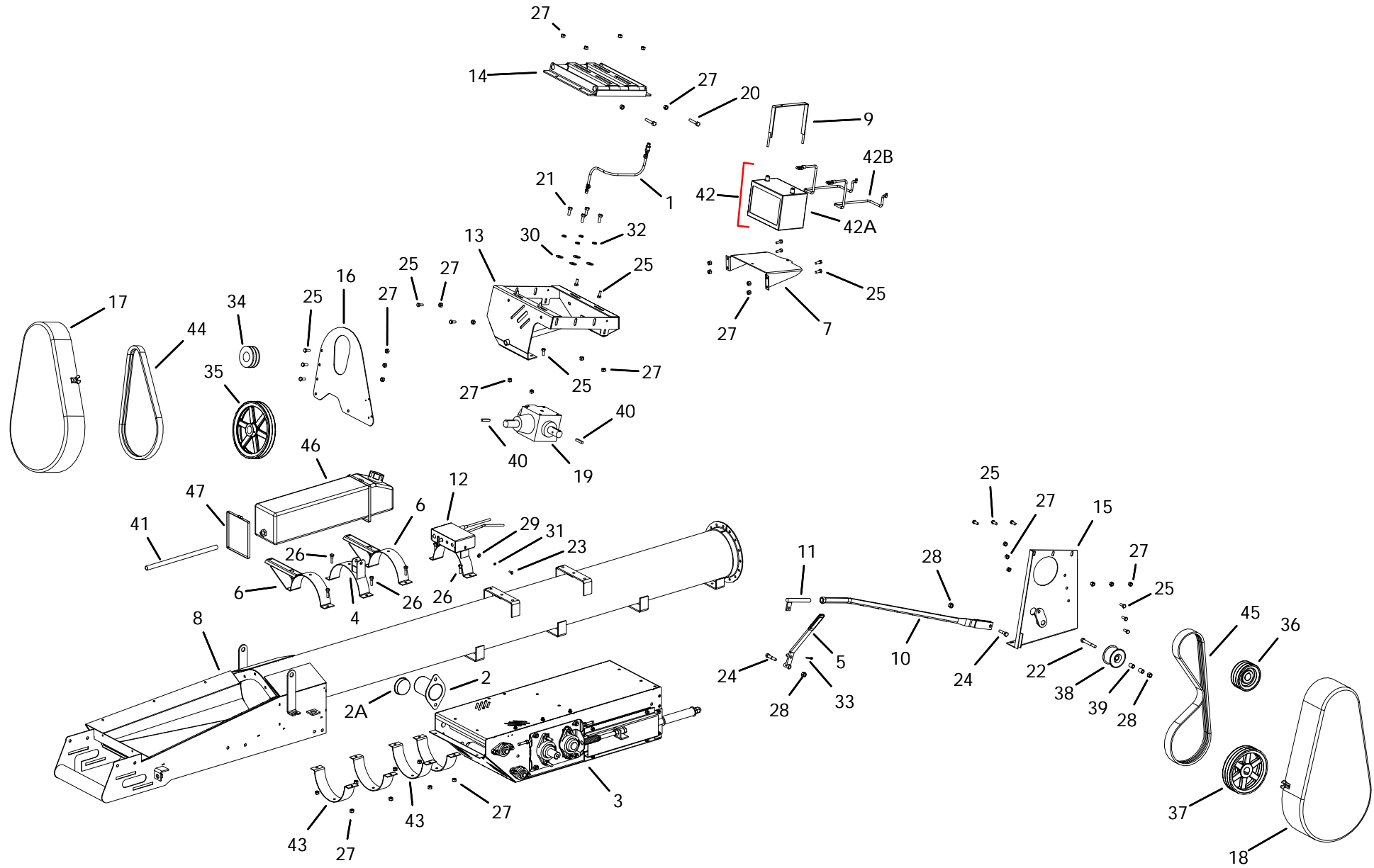


WHEEL MOVE HYDRAULIC SCHEMATIC

ITEM	PART NO.	DESCRIPTION
1	P0832020	HOSE 3/8(4'6")-3/8MPT-3/8MPT PC
2	P0832038	HOSE 3/8(9')-3/8MPT-3/8MPT PC
3	P0832050	HOSE 3/8(45')-3/8MPT-3/8FJIC PC
4	P0832049	HOSE 3/8(45')-1/2MPT-1/2MPT PC
5	P0832042	HOSE 3/8(55'6")-1/2MPT-3/8FJICX PC
6	P0832043	HOSE 3/8(10'6")-1/2MPT-3/8FJIC PC
7	P0832026	HOSE 3/8(7')-3/8FJICX-3/8MPT PC
8	P0832040	HOSE 3/8(5'10")-3/8MPT-3/8FJICX PC
9	P0832053	HOSE 1/2(11'6")-1/2"MPT-1/2"MPT PC
10	P0832031	HOSE 1/2(15')-1/2MPT-1/2MPT PC
11	P0861035	CHECK VALVE-1/2" (NO HOLE)
12	P0832029	HOSE 3/8(5'6")-3/8MPT-3/8MPT PC
13	01010148	HOSE 3/4(5')-HOSE-HOSE
14	P0861001	BALL VALVE-1/2"
15	P029900791	TEE-3/8"FSX3/8"MX3/8"FS
16	P0820010	SWIVEL-8MORBX1/2"FPT/90D
17	P0820007	SWIVEL-3/8"PT/90D
18	P0821112	SWIVEL-1/2" STRAIGHT
19	P0820013	SWIVEL-1/2MX3/8F90
20	P0821127	SWIVEL-3/8"-STR.
21	P0820611	ELBOW-6 ORBX3/8"JIC M 45
22	P0820001	SWIVEL-1/2"90 DEGREE
23	P0821129	SWIVEL-6MORBX1/2"FPT
24	P0820702	HOSE BARB-10MORBX3/4"HOSE

GAS DIRECT DRIVE KIT (15593100)

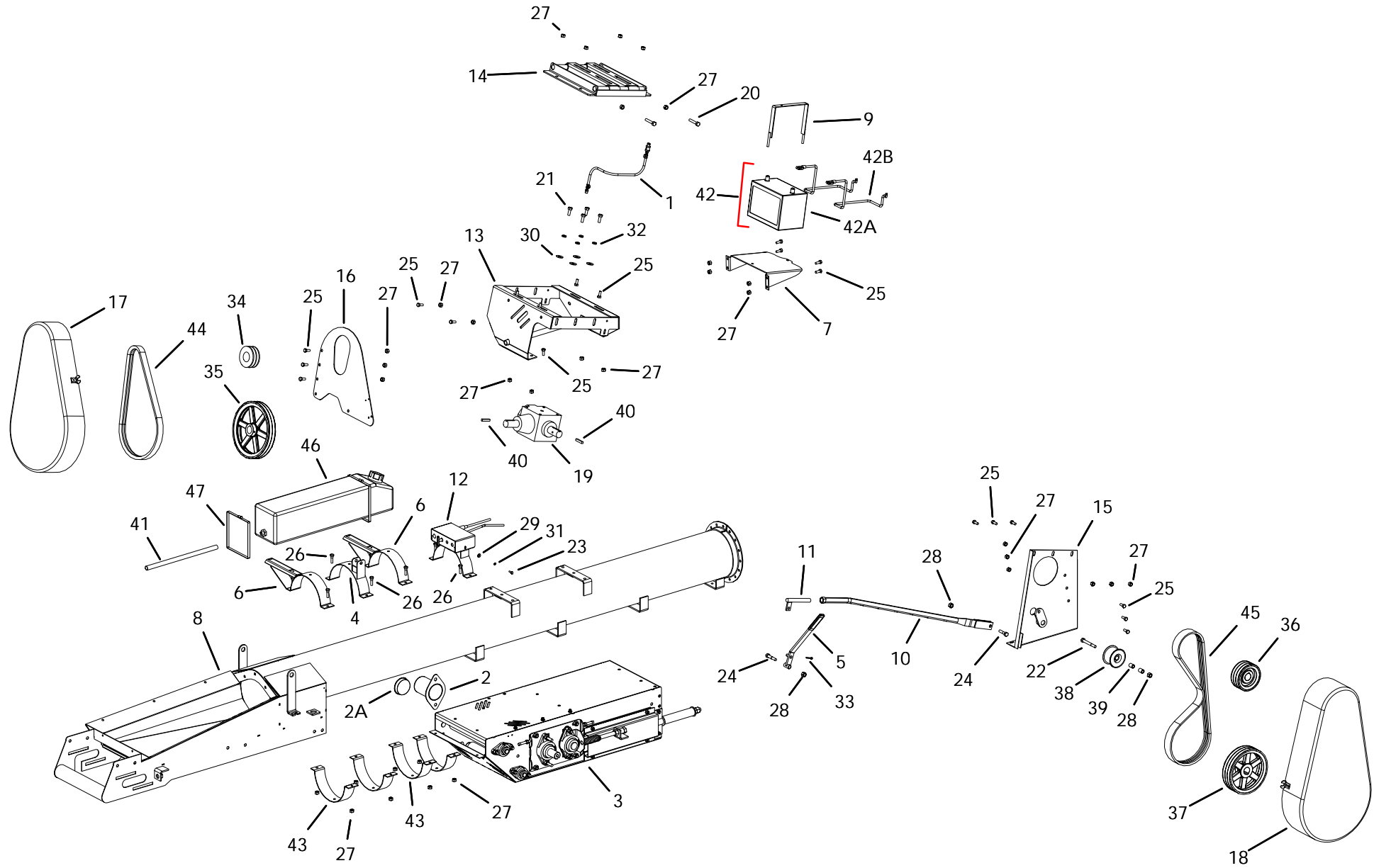
284



Note: Gas Drive Kit (15593100) does not include item # 8, 34 & 42.

GAS DIRECT DRIVE KIT (15593100)

ITEM	PART NO.	DESCRIPTION
1	01010003	BREATHER DIRECT DRIVE
2	24041038	SHAFT GUARD(FL-210)
3	15590020	S-DRIVE ASM W/PINCH
4	13010048	MOTOR MT OVERCENTER ANCHOR BKT
5	13010054	MOTOR MT OVERCENTER HANDLE
6	13011038	PLASTIC TANK SIDE MOUNT W 2.5" CLAM
7	13012108	MOTOR MOUNT BATTERY MOUNT
8	13020040	BT HOPPER SECTION 10' WITH SD BKTS
9	13060054	BATTERY CLAMP
10	13060068	MOTOR MT OVERCENTER PUSHROD
11	13060074	OVERCENTER ADJUSTER
12	13060080	DIRECT DRV CONTROL BOX
13	13060102	MOTOR MOUNT
14	13060103	SLIDER MOUNT
15	13060105	MOTOR MOUNT BACK PLATE
16	13060107	ENGINE GUARD BACK
17	15040055	PINCH GUARD SMALL ASSEMBLED
18	15040056	PINCH GUARD MED ASSEMBLED
19	15591001	GBOX 90 2:1 CW/CW 1-1/2 4190 W/OIL
20	P0114005	TAP BOLT 1/2 X 2-1/2 GR.8 PLATED
21	P0115020	BOLT 1/2" X 1-1/4" GR5 PLATED
22	P0118130	BOLT 1/2" X 4" GR8 PLATED
23	P0118033	BOLT 1/4" X 3/4" GR8 PLATED
24	P0118016	BOLT 1/2" X 2" GR8 PLATED
25	P0118076	BOLT 7/16"X1" GRADE 8 PLATED
26	P0118077	BOLT 7/16"X1-1/2" GRADE 8 PLATED
27	P0134007	LOCKNUT-NYLON-7/16"
28	P0134008	LOCKNUT-NYLON-1/2"
29	P0151006	FLAT WASHER 1/4"PLATED USS
30	P0151029	FLAT WASHER 1/2"PLATED USS
31	P0152004	LOCK WASHER 1/4"PLATED
32	P0152008	LOCK WASHER 1/2"PLATED
33	P0161003	COTTER PIN 3/16"X1-1/2"PLATED
34	P0328018	PULLEY-DBL-BK-4"H
35	P0328024	PULLEY-DBL-12" W/1-1/2"BORE
36	P0328050	PULLEY-TRPL-6" W/1-1/2"BORE
37	P0328079	PULLEY-TRPL-10" W/1-1/2"BORE
38	P0328910	IDLER-FLAT-4"TRPL 2-7/16"WIDE
39	P0351019	BUSHING 3/4"ODX1/2"IDX1"BRONZE
40	P0391002	KEY 3/8" X 2" LONG
41	P0831008	FUEL LINE-1/4"ID
42	P0951013	BATTERY 420CCA
43	P2219801P	U-CLAMP HANGER-10"X2-1/2"-BLACK
44	P03210531	BELT 2B53 BANDED
45	P03210652	BELT 3B65 BANDED
46	P021200051	GAS TANK W/CAP W/FITTING-22L

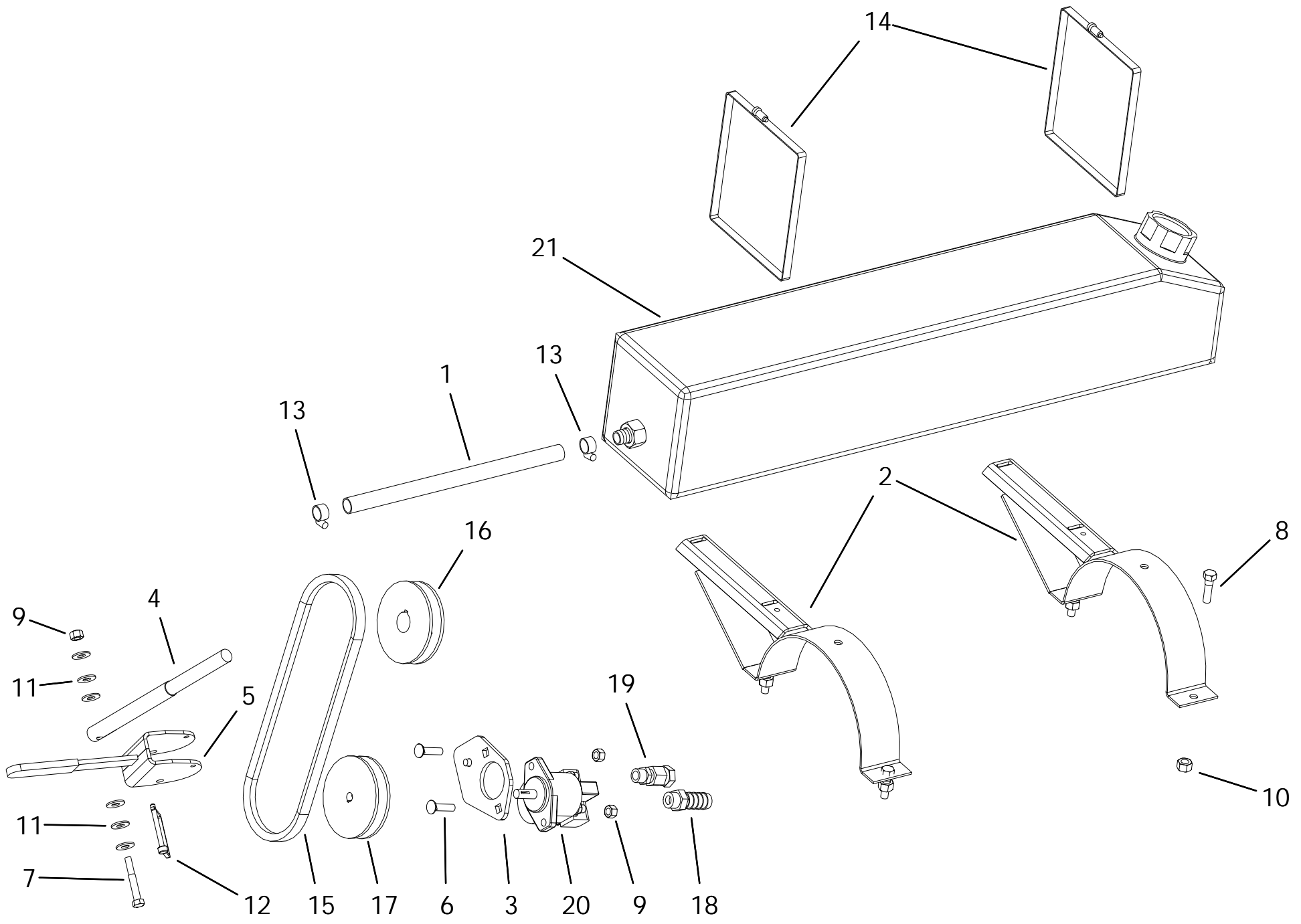


Note: Gas Drive Kit (15593100) does not include item # 8, 34 & 42.

GAS DIRECT DRIVE KIT (15593100)

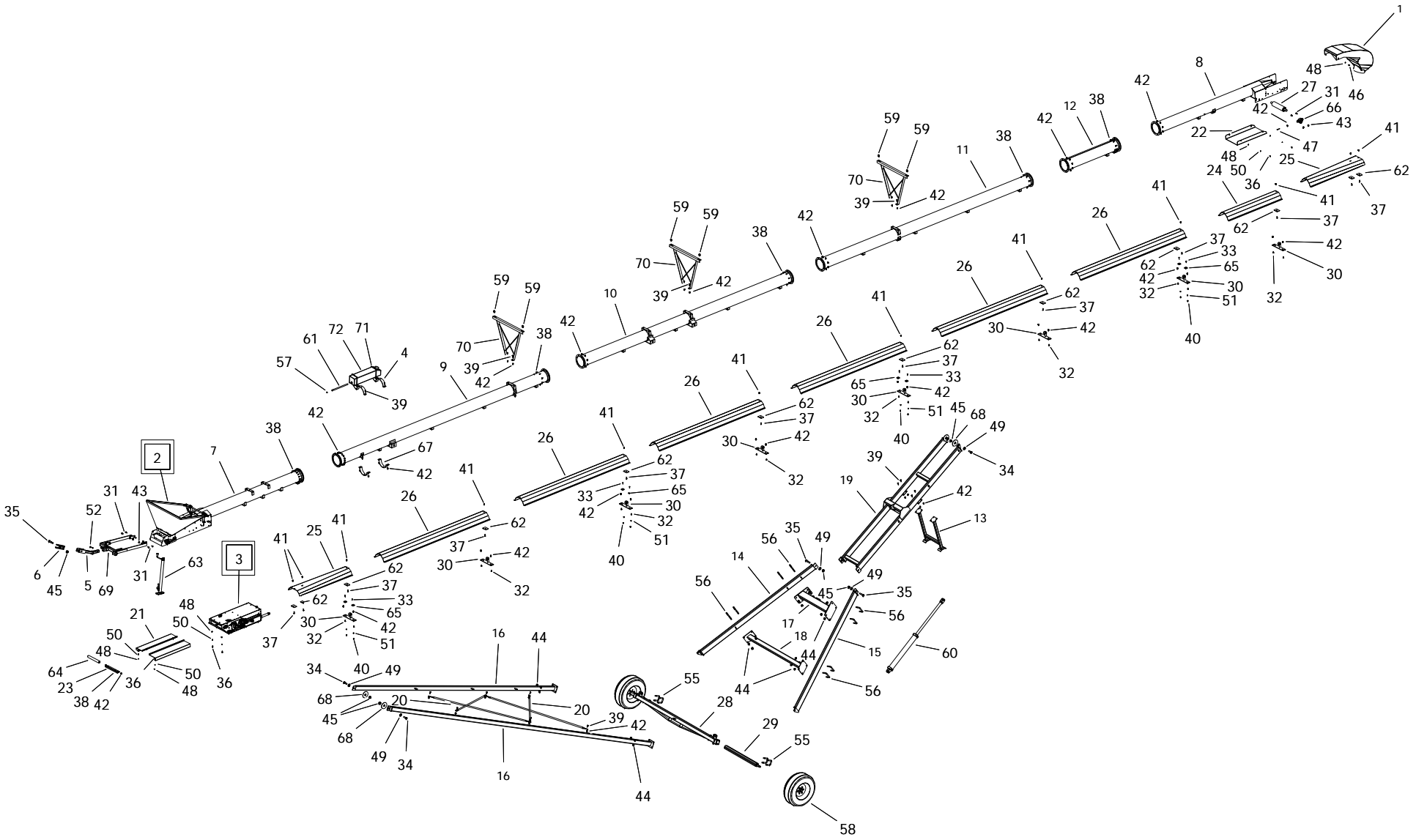
ITEM	PART NO.	DESCRIPTION
47	P029900216	GEAR CLAMP 32"

WET KIT GAS (1559408X) - 45



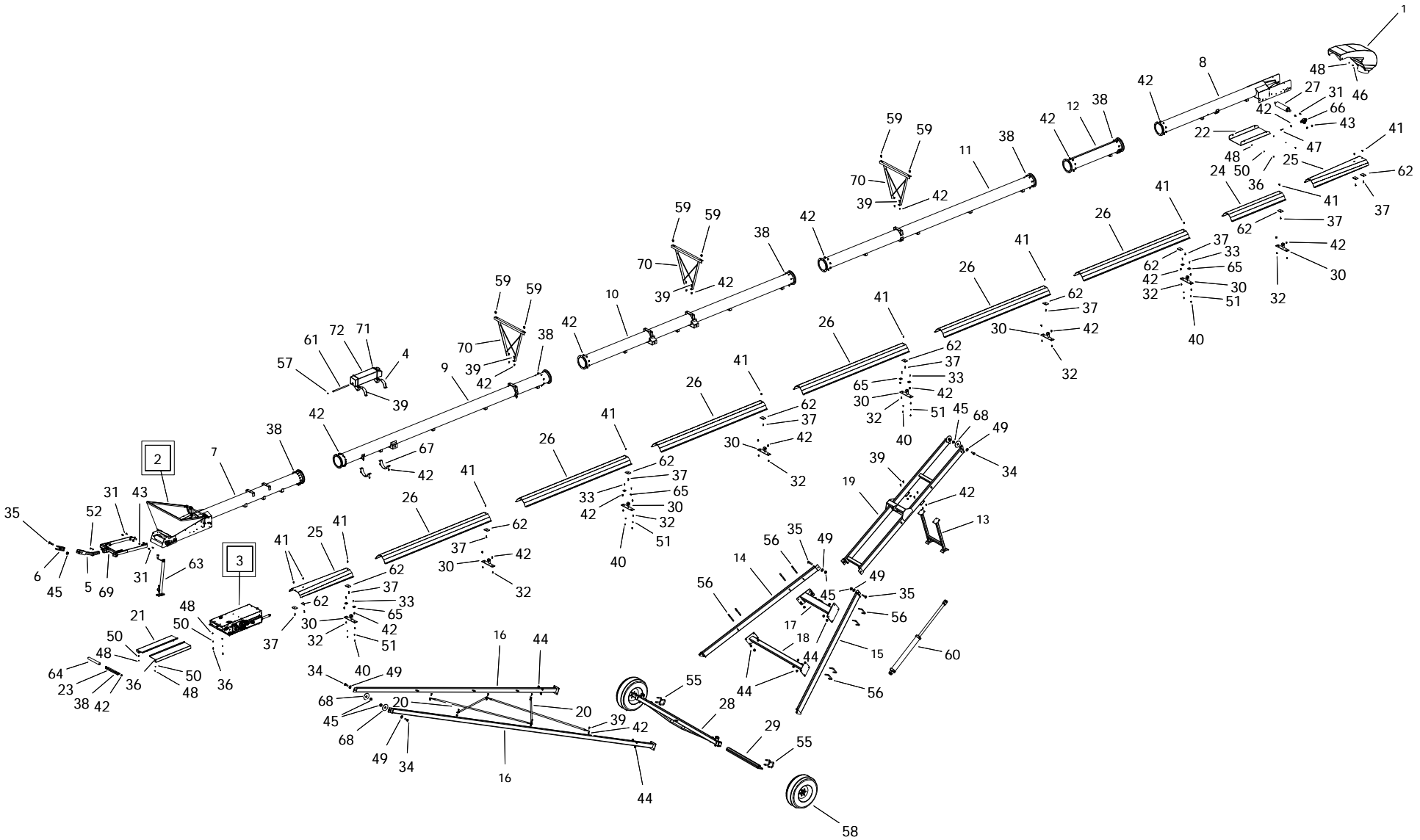
WET KIT GAS (1559408X) - 45

ITEM	PART NO.	DESCRIPTION
1	01010188	HOSE 3/4(9')-HOSE-HOSE
2	13011038	PLASTIC TANK SIDE MOUNT W 2.5" CLAM
3	13060104	PUMP MOUNT -PINCH DRIVE
4	13100028	PIVOT HANDLE SHAFT
5	13100035	PIVOT HANDLE
6	P0113018	CARRIAGE BOLT 3/8"X1 1/2"PLATED
7	P0118051	BOLT 3/8" X 2-1/2" GR8 PLATED
8	P0118077	BOLT 7/16"X1-1/2" GRADE 8 PLATED
9	P0134026	LOCKNUT-NYLON-3/8" GRADE 8
10	P0134007	LOCKNUT-NYLON-7/16"
11	P0151009	FLAT WASHER 3/8"PLATED USS
12	P0163010	QUICK PIN 1/4X2-1/2
13	P0184006	HOSE CLAMP-3/4"(HS12)
14	P029900216	GEAR CLAMP 32"
15	P0321035	BELT B35
16	P0328905	PULLEY-4-1/2"X1-1/8"
17	P0328906	PULLEY-4-1/2"X1/2"
18	P0820702	HOSE BARB-10MORBX3/4"HOSE
19	P0821130	SWIVEL-8 ORBX1/2"FPS
20	P0841033	PUMP-SMALL
20	P0841033S	PUMP-0.375 CW/END PORTS SEAL
21	P029900052-3	TANK, 22L, BLK W/FTG, CAP HOSE



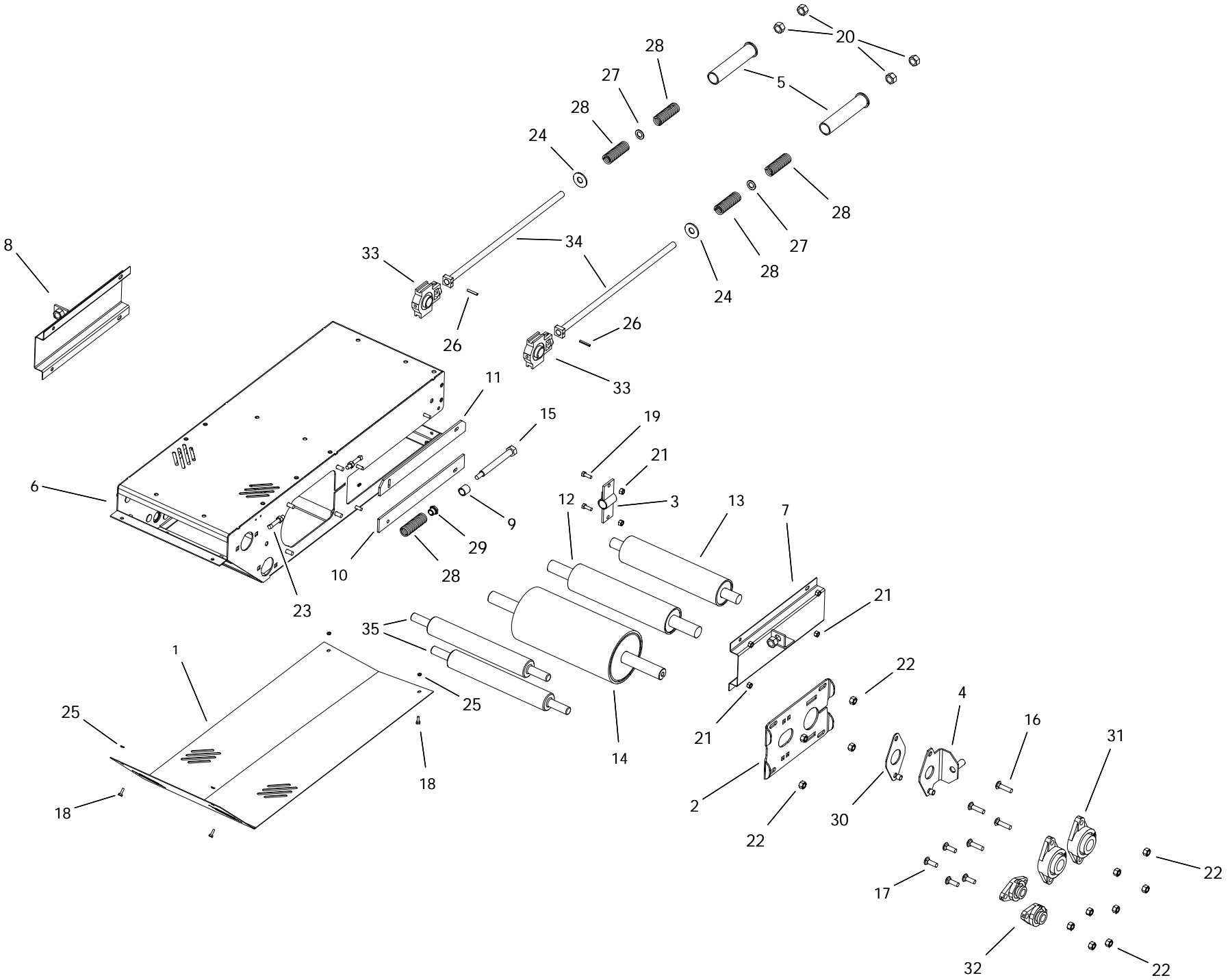
1590 FMD-15509015

ITEM	PART NO.	DESCRIPTION
1	P1211501	HOOD-ROUND 15 SERIES (KANBAN)
2	15000304P	HOPPER -COLLAPSABLE STD
3	15590020	S-DRIVE ASM W/PINCH
4	13011038	PLASTIC TANK SIDE MOUNT W 2.5" CLAM
5	13030016	Tongue
6	13030017	CLEVIS
7	15020040	BT HOPPER SECTION 10' WITH SD BKTS
8	15020045	SPOUT SECTION 10' W/CABLE RTRN BKT
9	15020051	BOTTOM TUBE WITH ANCHORS
10	15020052	SUSPENSION BRACKET TUBE
11	15020053	UPPER CENTER 20' TUBE
12	15020058	CENTER 5' TUBE -90
13	15031038	85 TRANSPORT BRACE
14	15031039	85 LIFT ARM RIGHT
15	15031040	85 LIFT ARM LEFT
16	15031041	85 AXLE ARM
17	15031043	85 UPPER LIFT ARM BRACE
18	15031044	LOWER LIFT ARM BRACE 85
19	15031045	LADDER 85
20	15032030	CROSS BRACE
21	15042040	SD-HOPPER BELT GUARD
22	15042093	SPOUT BOTTOM COVER
23	15042094	HOPPER GUARD BRACKET
24	15042101	WEATHER GUARD 5' - 61-1/2"
25	15042102	WEATHER GUARD 5' FLR - 61-1/2"
26	15042121	WEATHER GUARD 10' - 121-1/2"
27	15070009	HOPPER/SPOUT ROLLER LAGGED
28	20030109	AXLE EXTENDABLE 85
29	20030500	AXLE EXTENSION (WITH 6 LUGS)
30	150100811	WEATHER GUARD MOUNT BAR KIT-POLY
31	P0113004	CARRIAGE BOLT 1/2"X1-1/2"PLATED
32	P0113013	CARRIAGE BOLT 7/16"X1" PLATED
33	P0113020	CARRIAGE BOLT 5/16"X1-1/2"PLATED
34	P0118004	BOLT 1" X 3" GR8 PLATED
35	P0118007	BOLT 1" X 4-1/2" GR8 PLATED
36	P0118033	BOLT 1/4" X 3/4" GR8 PLATED
37	P0115303	CAPSCREW 3/8X1-1/4FLT HD SOCKET PTD
38	P0118076	BOLT 7/16"X1" GRADE 8 PLATED
39	P0118077	BOLT 7/16"X1-1/2" GRADE 8 PLATED
40	P0131017	NUT 5/16" PLATED GRADE 8
41	P0134026	LOCKNUT-NYLON-3/8" GRADE 8
42	P0134007	LOCKNUT-NYLON-7/16"
43	P0134008	LOCKNUT-NYLON-1/2"
44	P0134029	LOCKNUT-NYLON-3/4" GRADE 8
45	P0134030	LOCKNUT-NYLON-1" GRADE 8
46	P0141002	TEK SCREW 1/4"X1"



1590 FMD-15509015

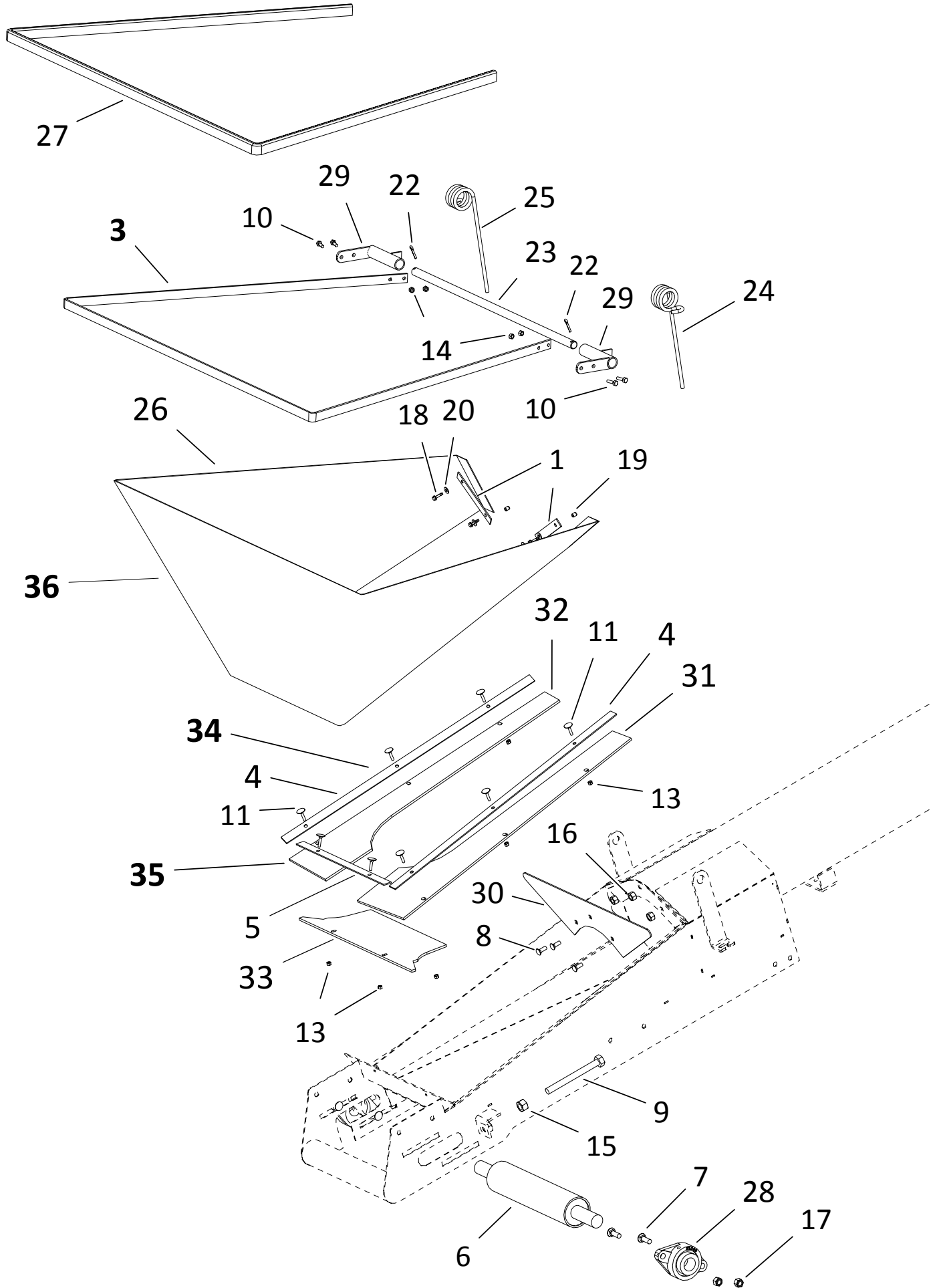
ITEM	PART NO.	DESCRIPTION
47	P0145002	SET SCREW-7/16"X2-1/2"SQ.HD.
48	P0151006	FLAT WASHER 1/4"PLATED USS
49	P0151031	FLAT WASHER 1"PLATED USS
50	P0152004	LOCK WASHER 1/4"PLATED
51	P0152010	LOCK WASHER 5/16"PLATED
52	P0162001	HITCH PIN 1/2" X 3" PLATED
55	P0183004	U-BOLT 3" X 3" -PLATED
56	P0183005	U-BOLT 5"X2" (3/4") PTD
57	P0184033	WIRE HOSE CLAMP .500"
58	P0615308	TIRE ASM -6BLT ST205/75R15 LRC 6PL
59	P0712109	CABLE CLAMP-3/8"
60	P0814036	HYD CYL 4 X 36
61	P0831008	FUEL LINE-1/4"ID
62	P1010001	UNI-MOUNT PLATE CAST
63	P1012009	JACK-7000LB SQ.TUBE 25" EXT
64	P1021006	ROLLER HEX 15-7/8"
65	P1210030	BELT GUIDE BLOCK
66	P1711001	FLANGE UNIT-1-1/2"-SAFL208-24
67	P2219801P	U-CLAMP HANGER-10"X2-1/2"-BLACK
68	P2515002	FRAME BUSHING
69	15030015	15 SERIES HITCH
70	15010103	HIGH CABLE BRIDGE
71	P029900216	GEAR CLAMP 32"
72	P021200051	GAS TANK W/CAP W/FITTING-22L
73	15570901	1590 185'
74	P0183021	3/8" EYE BOLT ASM
75	P0711112	CABLE-3/8" (136')
76	P0711115	CABLE-3/8" (68')
77	P1243001	CABLE TIE 14" 120 LB
78	P2227989	MANUAL HOLDER AND LID
79	13060080	DIRECT DRV CONTROL BOX
80	P0712113	THROTTLE CONTROL 10'
81	P0712103	CHOKE CABLE-9' LOCKING



S-DRIVE (15590020)

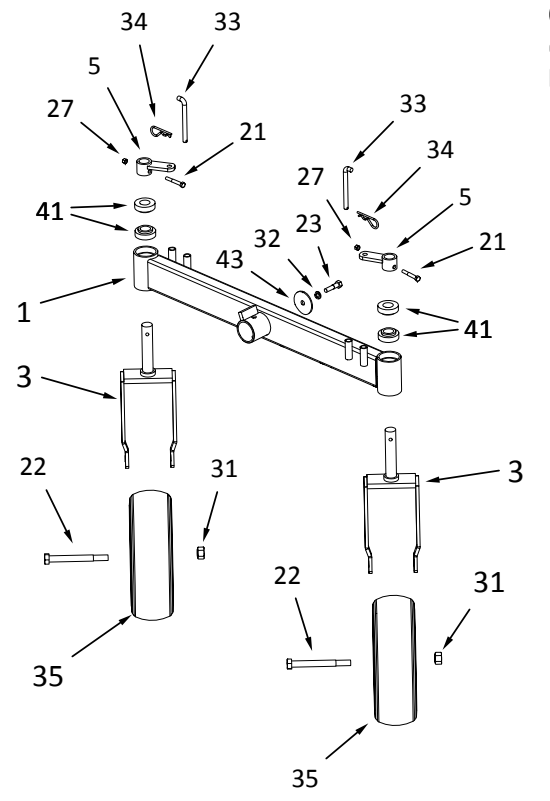
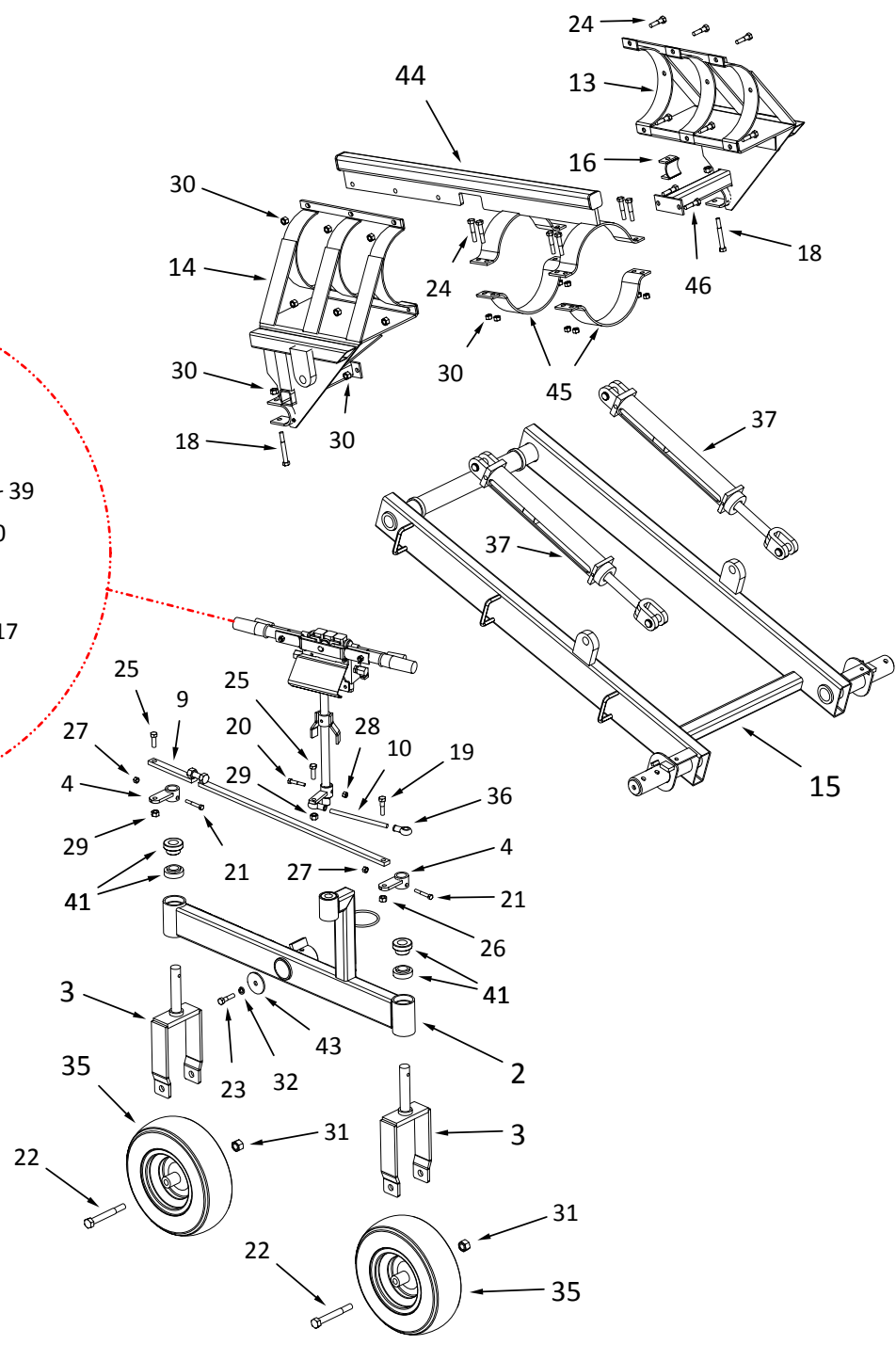
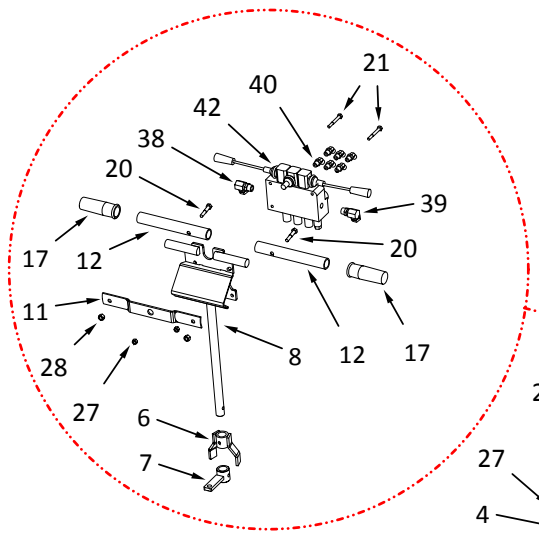
ITEM	PART NO.	DESCRIPTION
1	15040001	PINCH SD BOTTOM GUARD
2	15060061	SD COVER PLATE 6-1/2"ROLLER
3	15060079	S-DRIVE TAKEUP BRACKET
4	15060082	PINCH TIGHTENER PLATE
5	15060504	PRETENSIONER 1550
6	15061045	S-DRIVE PINCH
7	15061046	SIDE GUARD LH
8	15061047	SIDE GUARD RH
9	15062010	PINCH PIPE
10	15062179	S-DRIVE SLIDER BOLT PLATE - BOTTOM
11	15062180	S-DRIVE SLIDER BOLT PLATE - TOP
12	15070019	3-1/2"TAKE-UP (PINCH)
13	15070020	3-1/2"TAKE-UP 19.5"SHAFT
14	15070030	DRIVE ROLLER-6-1/2" W/EXT SHAFT
15	P0113000	SPRING TENSION BOLT
16	P0113001	CARRIAGE BOLT 1/2"X2" PLATED
17	P0113004	CARRIAGE BOLT 1/2"X1-1/2"PLATED
18	P0118033	BOLT 1/4" X 3/4" GR8 PLATED
19	P0118046	BOLT 3/8" X 1" GR8 PLATED
20	P0131019	NUT 3/4" PLATED GRADE 8
21	P0134026	LOCKNUT-NYLON-3/8" GRADE 8
22	P0134008	LOCKNUT-NYLON-1/2"
23	P0145002	SET SCREW-7/16"X2-1/2"SQ.HD.
24	P0151015	FLAT WASHER 3/4"PLATED USS
25	P0152004	LOCK WASHER 1/4"PLATED
26	P0167001	SPRING PIN 1/4" X 1-1/2"
27	P0351015	MACHINERY BUSH 3/4"X1-1/4"-14G PTD.
28	P0511008	SPRING-LD-1300 SERIES
29	P0820129	BUSHING BRASS FLANGED
30	P1210102	BELT TIGHTENER SLIDER PLATE FL208
31	P1711001	FLANGE UNIT-1-1/2"-SAFL208-24
32	P1711004	FLANGE UNIT-1"-SAFL205-16
33	P1721001	TAKE-UP UNIT-1-1/4"-T206-20
34	P2515006	15 S-DRIVE TIGHTENER BOLT
35	P20315001	S-DRIVE RETURN-1" ROLLER

HOPPER (15000304P)



HOPPER (15000304P)

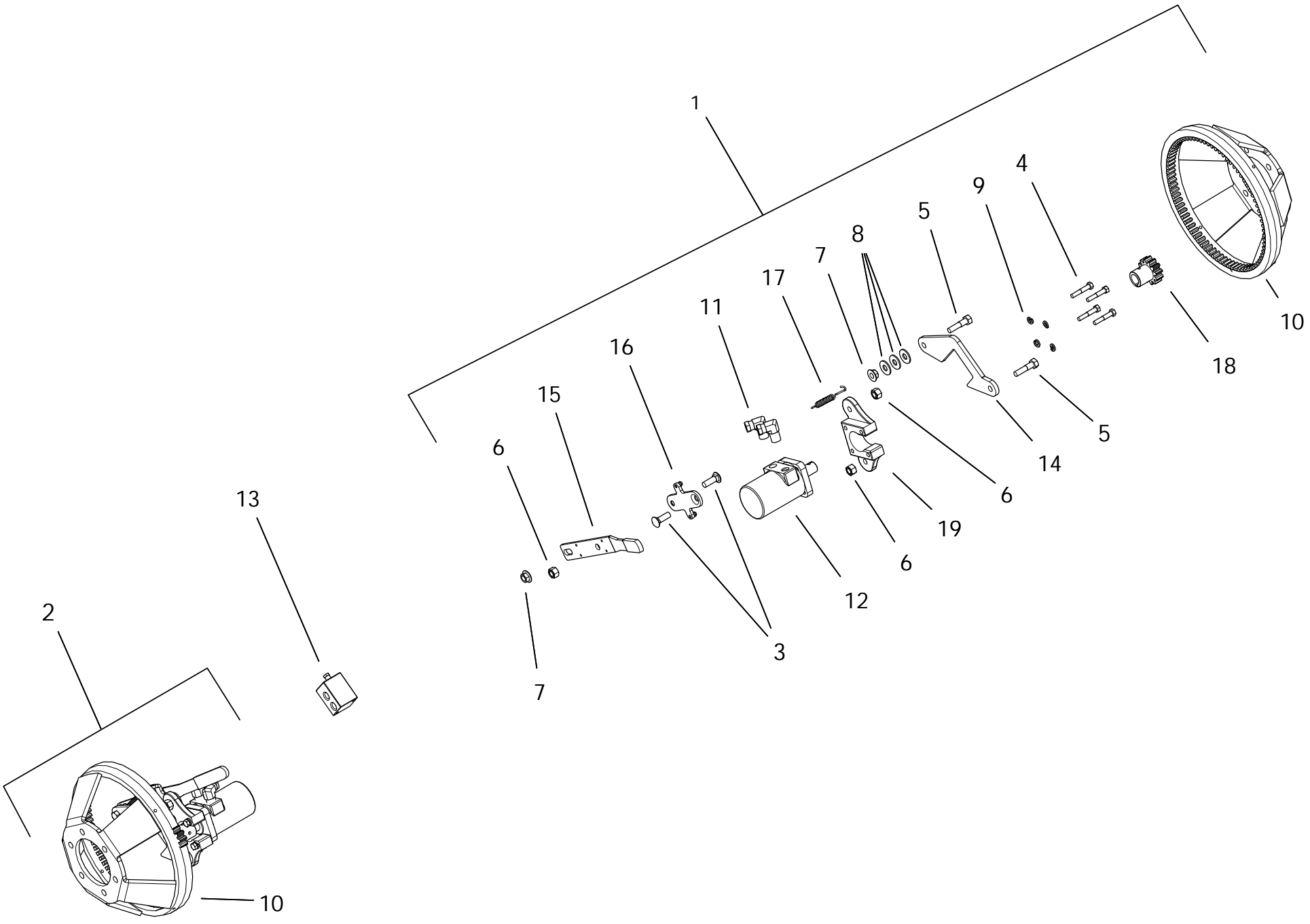
ITEM	PART NO.	DESCRIPTION
1	13052001	LOWER CLOTH FRAME STD BACK
3	15052004	UPPER CLOTH FRAME STD
4	15052101	LOWER CLOTH FRAME STD SIDE
5	15052102	LOWER CLOTH FRAME STD FRONT
6	15070009	HOPPER/SPOUT ROLLER LAGGED
7	P0113004	CARRIAGE BOLT 1/2"X1-1/2"PLATED
8	P0113015	CARRIAGE BOLT 3/8"X1" PLATED
9	P0114007	TAP BOLT 3/4 X 7 PLATED
10	P0118061	BOLT 5/16" X 1" GR8 PLATED
11	P0116001	ELEVATOR BOLT 1/4"X1-1/4"
13	P0131016	NUT 1/4" PLATED GRADE 8
14	P0131017	NUT 5/16" PLATED GRADE 8
15	P0131019	NUT 3/4" PLATED GRADE 8
16	P0134026	LOCKNUT-NYLON-3/8" GRADE 8
17	P0134008	LOCKNUT-NYLON-1/2"
18	P0141002	TEK SCREW 1/4"X1"
19	P0145001	VINYL SCREW CAP
20	P0151006	FLAT WASHER 1/4"PLATED USS
22	P0161003	COTTER PIN 3/16"X1-1/2"PLATED
23	P0162007	HOPPER PIVOT SHAFT-13/15
24	P0521001	HOPPER SPRING-L
25	P0521002	HOPPER SPRING-R
26	P1621007	HOPPER CANVAS-15 CONV.
27	P1641015	TRIM LOCK
28	P1711001	FLANGE UNIT-1-1/2"-SAFL208-24
29	P2515017	PIVOT SHAFT BRACKET
30	P11150047	HOPPER SHIELD
31	P19159000	HOPPER LEFT FLASHING STD
32	P19159001	HOPPER RIGHT FLASHING STD
33	P19159002	HOPPER FRONT FLASHING STD
34	15000314	HOPPER -LINER KIT STD
35	15000306P	HOPPER -FLASHING ONLY STD
36	15000304P	HOPPER -COLLAPSABLE STD



WHEEL MOVE

ITEM	PART NO.	DESCRIPTION
1	13120003	WALKING BEAM
2	13120004	WALKING BEAM-STEERING
3	13120005	FORK-STRAIGHT
4	13120007	STEERING PIPE
5	13120008	LOCKING PIPE
6	13120023	STEERING STOP
7	13120024	HD CASTOR RETAINER C/W YOKE LINK AR
8	13120125	STEERING WELDMENT
9	13122023	STEERING LINK ARM
10	13122076	LINKAGE - THREADED 1/2X8 ROD
11	13122078	HANDLE JOINT
12	13122087	WM STEERING HANDLE PIPE
13	15120001	WHEEL MOVE BASE LEFT
14	15120002	WHEEL MOVE BASE RIGHT
15	15120003	CAM LIFT
16	15120004	SWIVEL BLOCK
17	P02-0200344	HANDLE GRIP 1-1/4"
18	P0118019	BOLT 1/2" X 3-1/2" GR8 PLATED
19	P0118029	BOLT 1/4" X 2" GR8 PLATED
20	P0118050	BOLT 3/8" X 2" GR8 PLATED
21	P0118063	BOLT 5/16" X 2-1/2" GR8 PLATED
22	P0118133	BOLT 3/4" X 7" GR8 PLATED
23	P0118016	BOLT 1/2" X 2" GR8 PLATED
24	P0118017	BOLT 1/2"X2-1/2"GRADE 8 PLATED
25	P0118077	BOLT 7/16"X1-1/2" GRADE 8 PLATED
26	P0134023	LOCKNUT-NYLON-1/4" GR8
27	P0134027	LOCKNUT-NYLON-5/16" GRADE 8
28	P0134026	LOCKNUT-NYLON-3/8" GRADE 8
29	P0134007	LOCKNUT-NYLON-7/16"
30	P0134008	LOCKNUT-NYLON-1/2"
31	P0134029	LOCKNUT-NYLON-3/4" GRADE 8
32	P0152008	LOCK WASHER 1/2"PLATED
33	P0162004	HITCH PIN 1/2" X 5" PLATED
34	P0163001	HAIR PIN 3/16" X 3-1/4"
35	P0614306	TIRE & RIM 480X8 LRC
36	P0631010	TIE ROD END BALL JOINT
37	P0812516	HYD CYL-2-1/2X16
38	P0820003	SWIVEL-10ORBX1/2F90
39	P0820009	SWIVEL-6MORBX1/2"FPT/90D
40	P0820611	ELBOW-6 ORBX3/8"JIC M 45
41	P1742002	BEARING-1-1/4"
42	P08610091	VALVE-3 SPL-W/2 HANDLES
43	P11130185	AXLE END CAP
44	15060022	MOVER FLANGE SUPPORT
45	P2513203P	3" U-CLAMP PAINTED
46	P0118013	BOLT 1/2"X1 1/2" GR.8 PLATED

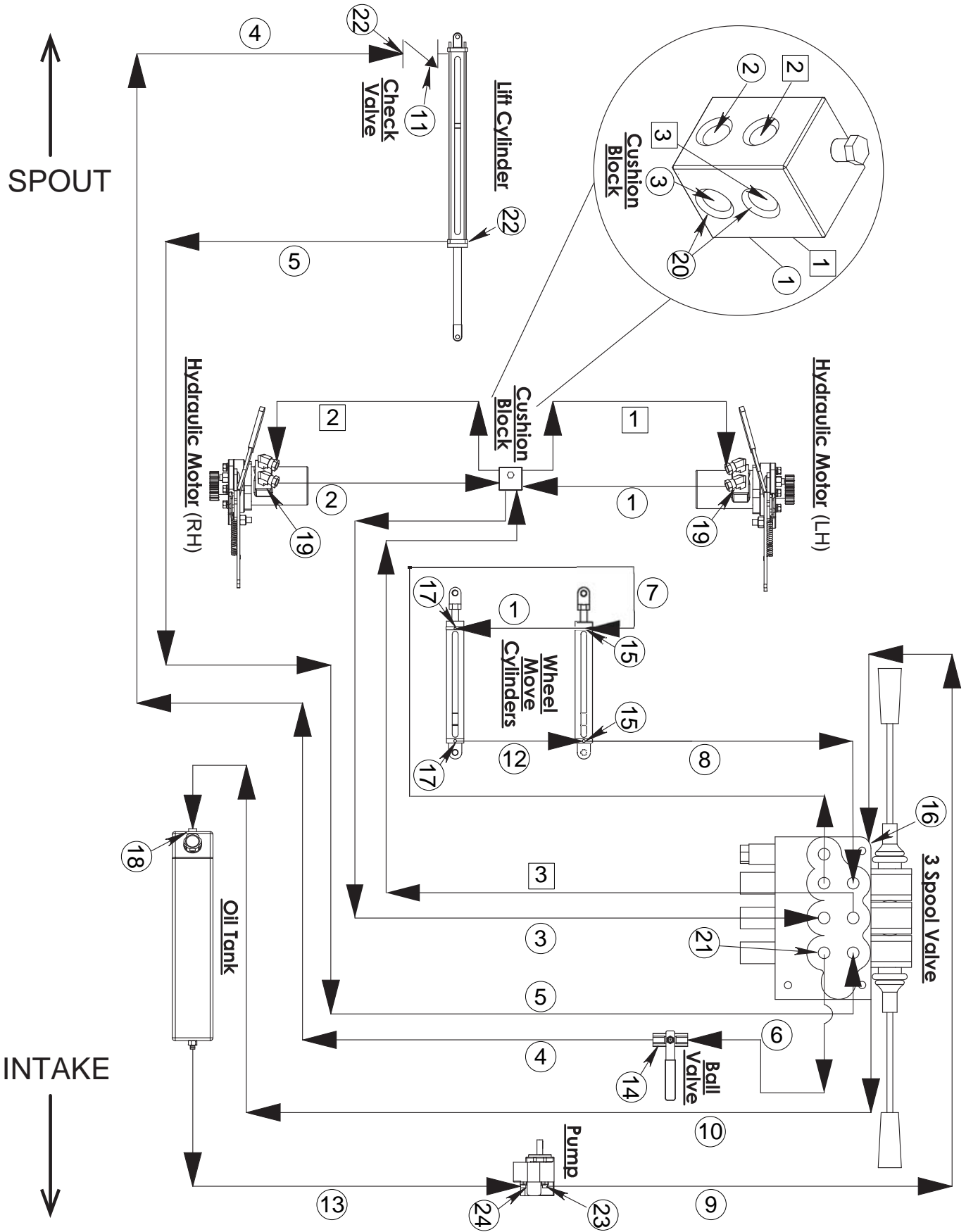
WHEEL MOVE DRIVE SYSTEM (13000144)



WHEEL MOVE DRIVE SYSTEM (13000144)

ITEM	PART NO.	DESCRIPTION
1	13000120	WM DRIVE PINION GEAR ASSY - RIGHT
2	13000121	WM DRIVE PINION GEAR ASSY - LEFT
3	P0113004	CARRIAGE BOLT 1/2"X1-1/2"PLATED
4	P0118050	BOLT 3/8" X 2" GR8 PLATED
5	P0118016	BOLT 1/2" X 2" GR8 PLATED
6	P0134008	LOCKNUT-NYLON-1/2"
7	P0134108	LOCKNUT-TENSILOCK-1/2"
8	P0151029	FLAT WASHER 1/2"PLATED USS
9	P0152006	LOCK WASHER 3/8"PLATED
10	P0615314	RING GEAR - 6 BOLT C/W MOUNT PLATE
11	P0820013	SWIVEL-1/2MX3/8F90
12	P0841012	HYD MOTOR-6.3 (5.9H) RS-1/2" HOLE
13	P0861201	CUSHION BLOCK, COMPLETE
14	P11130126	WHEEL-MOVE AXLE TAB 3"
15	P020200007	HANDLE WITH GRIP
16	15121033	PAINTED HANDLE LINK ARM
17	P020200009	HANDLE SPRING
18	P020200333	PINION GEAR-1"ID 3/8"HOLE
19	P020200338A	MOTOR ARM -EYEGLOSS PIECE, DRILLED
20	P0163011	HAIR PIN 5/32X2-15/16 (66326)
21	P0821127	SWIVEL-3/8"-STR.

WHEEL MOVE HYDRAULIC SCHEMATIC

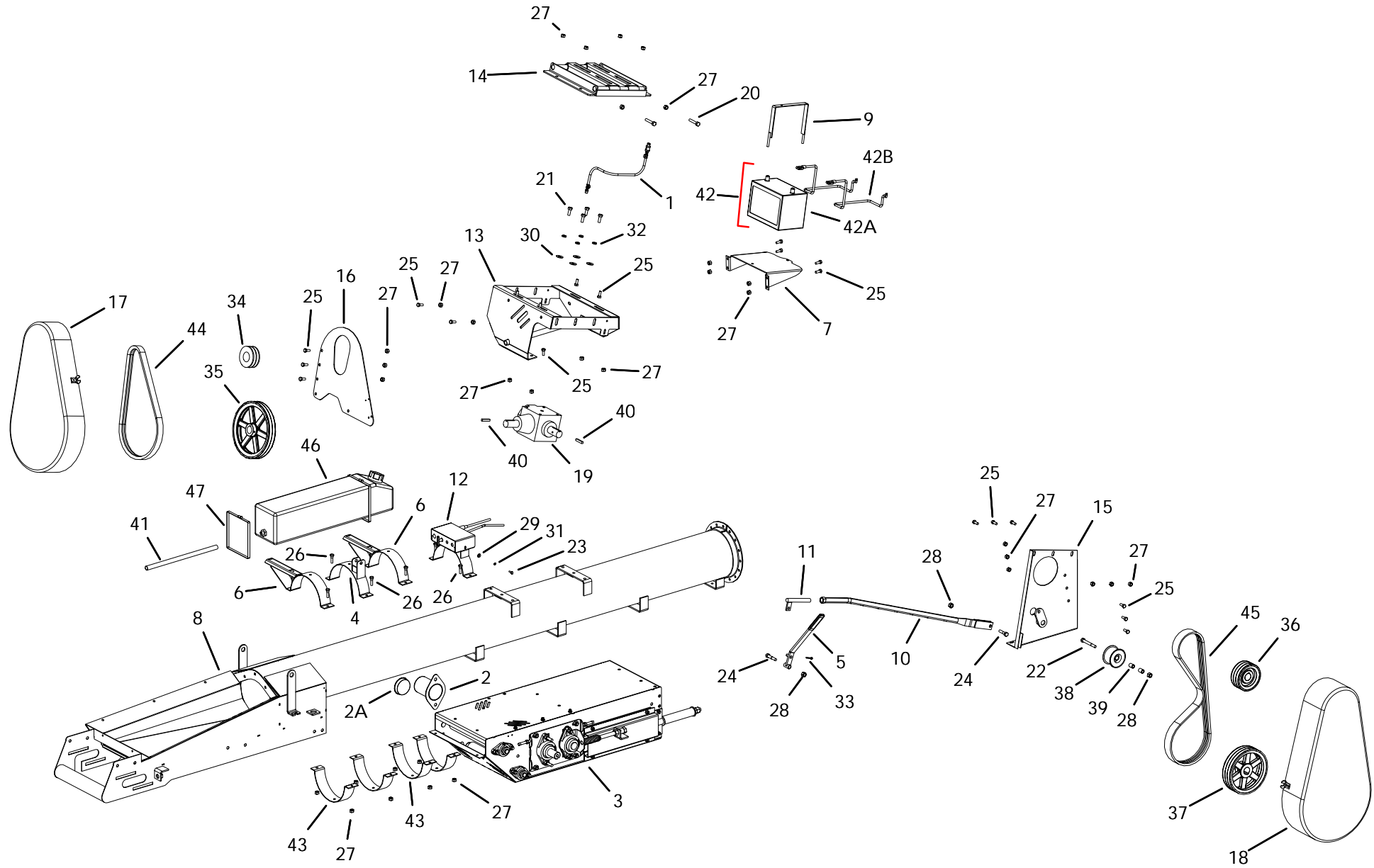


WHEEL MOVE HYDRAULIC SCHEMATIC

ITEM	PART NO.	DESCRIPTION
1	P0832020	HOSE 3/8(4'6")-3/8MPT-3/8MPT PC
2	P0832038	HOSE 3/8(9')-3/8MPT-3/8MPT PC
3	P0832050	HOSE 3/8(45')-3/8MPT-3/8FJIC PC
4	P0832049	HOSE 3/8(45')-1/2MPT-1/2MPT PC
5	P0832042	HOSE 3/8(55'6")-1/2MPT-3/8FJICX PC
6	P0832043	HOSE 3/8(10'6")-1/2MPT-3/8FJIC PC
7	P0832026	HOSE 3/8(7')-3/8FJICX-3/8MPT PC
8	P0832040	HOSE 3/8(5'10")-3/8MPT-3/8FJICX PC
9	P0832053	HOSE 1/2(11'6")-1/2"MPT-1/2"MPT PC
10	P0832031	HOSE 1/2(15')-1/2MPT-1/2MPT PC
11	P0861035	CHECK VALVE-1/2" (NO HOLE)
12	P0832029	HOSE 3/8(5'6")-3/8MPT-3/8MPT PC
13	01010148	HOSE 3/4(5')-HOSE-HOSE
14	P0861001	BALL VALVE-1/2"
15	P029900791	TEE-3/8"FSX3/8"MX3/8"FS
16	P0820010	SWIVEL-8MORBX1/2"FPT/90D
17	P0820007	SWIVEL-3/8"PT/90D
18	P0821112	SWIVEL-1/2" STRAIGHT
19	P0820013	SWIVEL-1/2MX3/8F90
20	P0821127	SWIVEL-3/8"-STR.
21	P0820611	ELBOW-6 ORBX3/8"JIC M 45
22	P0820001	SWIVEL-1/2"90 DEGREE
23	P0821129	SWIVEL-6MORBX1/2"FPT
24	P0820702	HOSE BARB-10MORBX3/4"HOSE

GAS DIRECT DRIVE KIT (15593100)

304



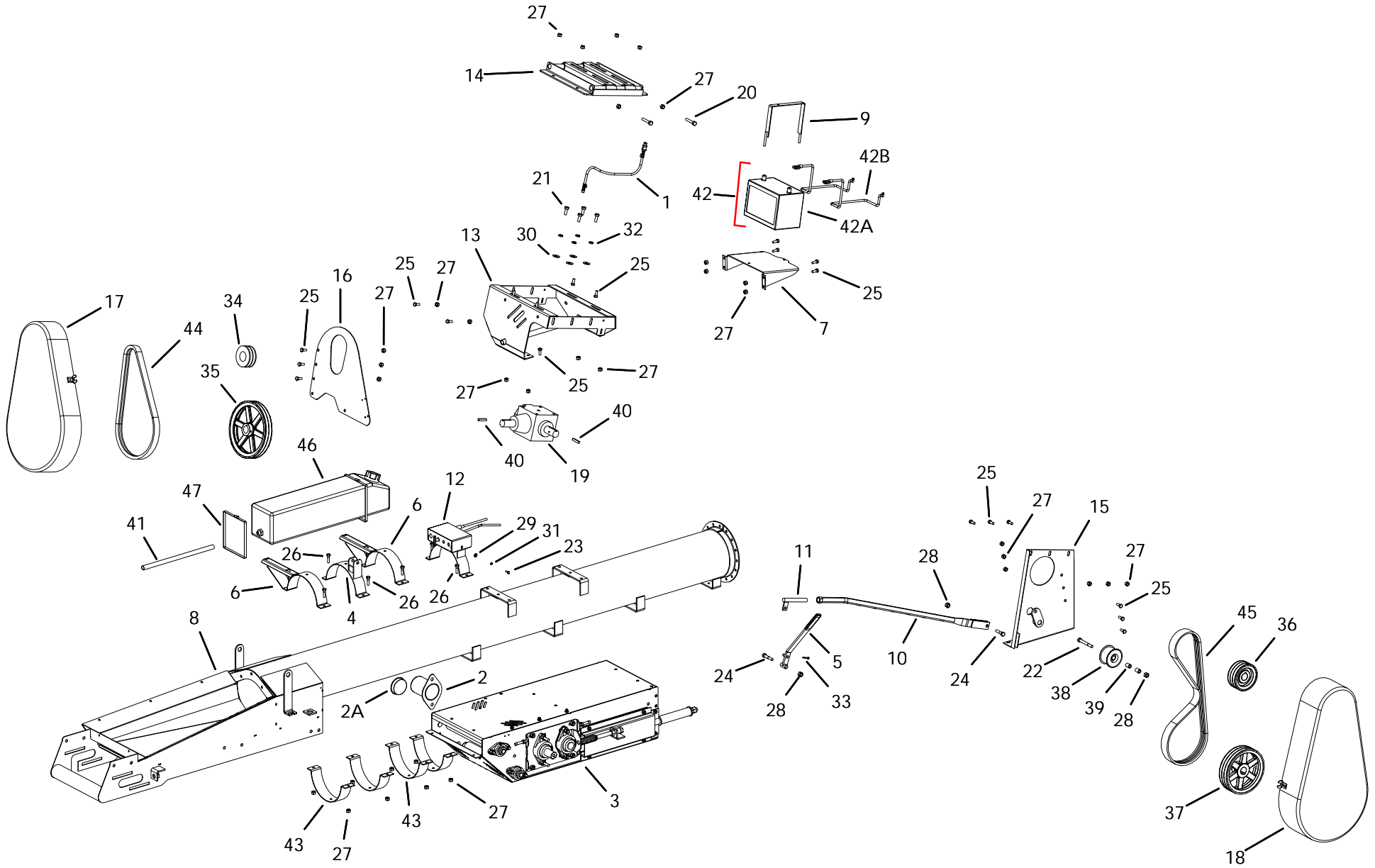
Note: Gas Drive Kit (15593100) does not include item # 8, 34 & 42.

GAS DIRECT DRIVE KIT (15593100)

ITEM	PART NO.	DESCRIPTION
1	01010003	BREATHER DIRECT DRIVE
2	24041038	SHAFT GUARD(FL-210)
3	15590020	S-DRIVE ASM W/PINCH
4	13010048	MOTOR MT OVERCENTER ANCHOR BKT
5	13010054	MOTOR MT OVERCENTER HANDLE
6	13011038	PLASTIC TANK SIDE MOUNT W 2.5" CLAM
7	13012108	MOTOR MOUNT BATTERY MOUNT
8	13020040	BT HOPPER SECTION 10' WITH SD BKTS
9	13060054	BATTERY CLAMP
10	13060068	MOTOR MT OVERCENTER PUSHROD
11	13060074	OVERCENTER ADJUSTER
12	13060080	DIRECT DRV CONTROL BOX
13	13060102	MOTOR MOUNT
14	13060103	SLIDER MOUNT
15	13060105	MOTOR MOUNT BACK PLATE
16	13060107	ENGINE GUARD BACK
17	15040055	PINCH GUARD SMALL ASSEMBLED
18	15040056	PINCH GUARD MED ASSEMBLED
19	15591001	GBOX 90 2:1 CW/CW 1-1/2 4190 W/OIL
20	P0114005	TAP BOLT 1/2 X 2-1/2 GR.8 PLATED
21	P0115020	BOLT 1/2" X 1-1/4" GR5 PLATED
22	P0118130	BOLT 1/2" X 4" GR8 PLATED
23	P0118033	BOLT 1/4" X 3/4" GR8 PLATED
24	P0118016	BOLT 1/2" X 2" GR8 PLATED
25	P0118076	BOLT 7/16"X1" GRADE 8 PLATED
26	P0118077	BOLT 7/16"X1-1/2" GRADE 8 PLATED
27	P0134007	LOCKNUT-NYLON-7/16"
28	P0134008	LOCKNUT-NYLON-1/2"
29	P0151006	FLAT WASHER 1/4"PLATED USS
30	P0151029	FLAT WASHER 1/2"PLATED USS
31	P0152004	LOCK WASHER 1/4"PLATED
32	P0152008	LOCK WASHER 1/2"PLATED
33	P0161003	COTTER PIN 3/16"X1-1/2"PLATED
34	P0328018	PULLEY-DBL-BK-4"H
35	P0328024	PULLEY-DBL-12" W/1-1/2"BORE
36	P0328050	PULLEY-TRPL-6" W/1-1/2"BORE
37	P0328079	PULLEY-TRPL-10" W/1-1/2"BORE
38	P0328910	IDLER-FLAT-4"TRPL 2-7/16"WIDE
39	P0351019	BUSHING 3/4"ODX1/2"IDX1"BRONZE
40	P0391002	KEY 3/8" X 2" LONG
41	P0831008	FUEL LINE-1/4"ID
42	P0951013	BATTERY 420CCA
43	P2219801P	U-CLAMP HANGER-10"X2-1/2"-BLACK
44	P03210531	BELT 2B53 BANDED
45	P03210652	BELT 3B65 BANDED
46	P021200051	GAS TANK W/CAP W/FITTING-22L

GAS DIRECT DRIVE KIT (15593100)

306

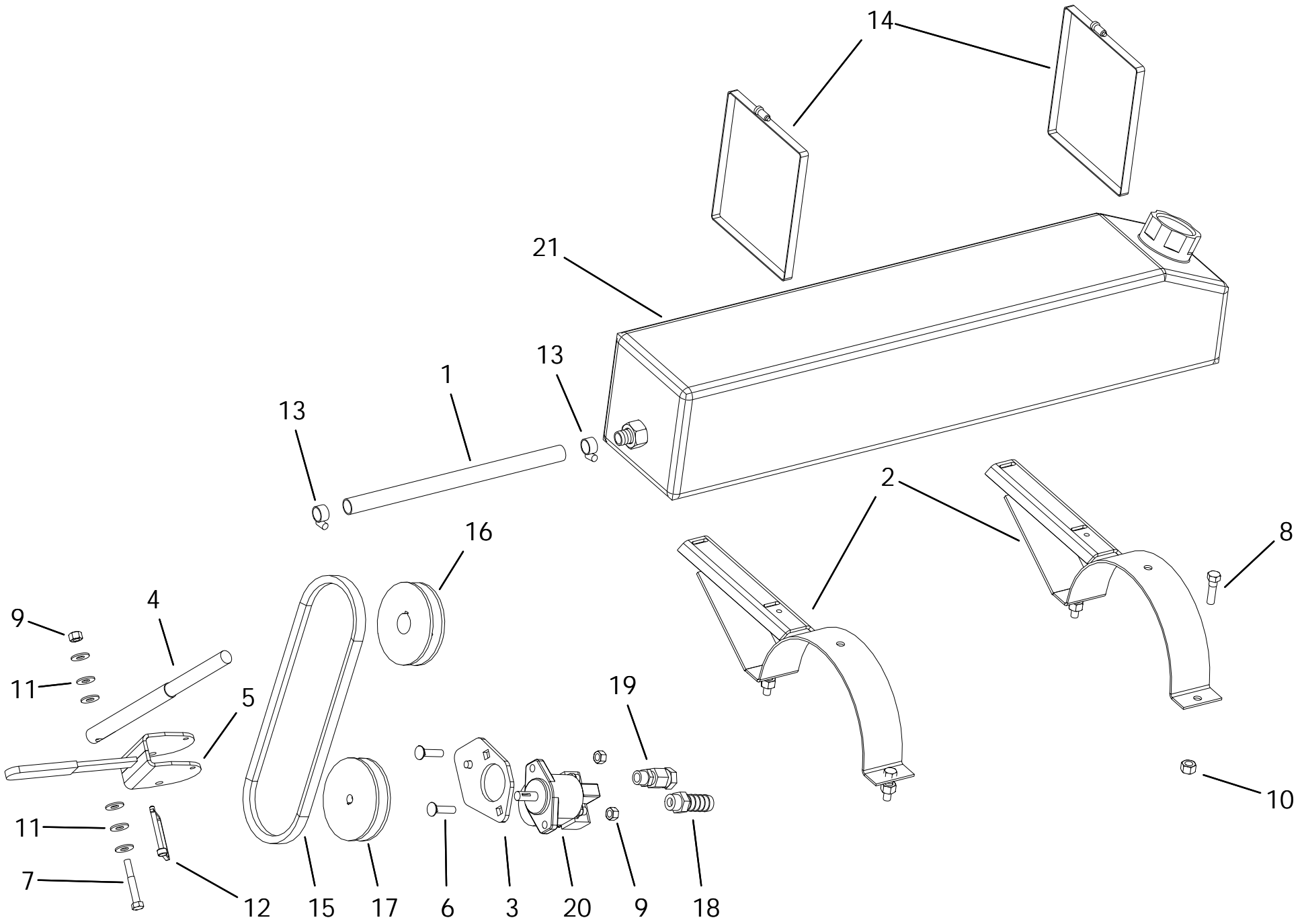


Note: Gas Drive Kit (15593100) does not include item # 8, 34 & 42.

GAS DIRECT DRIVE KIT (15593100)

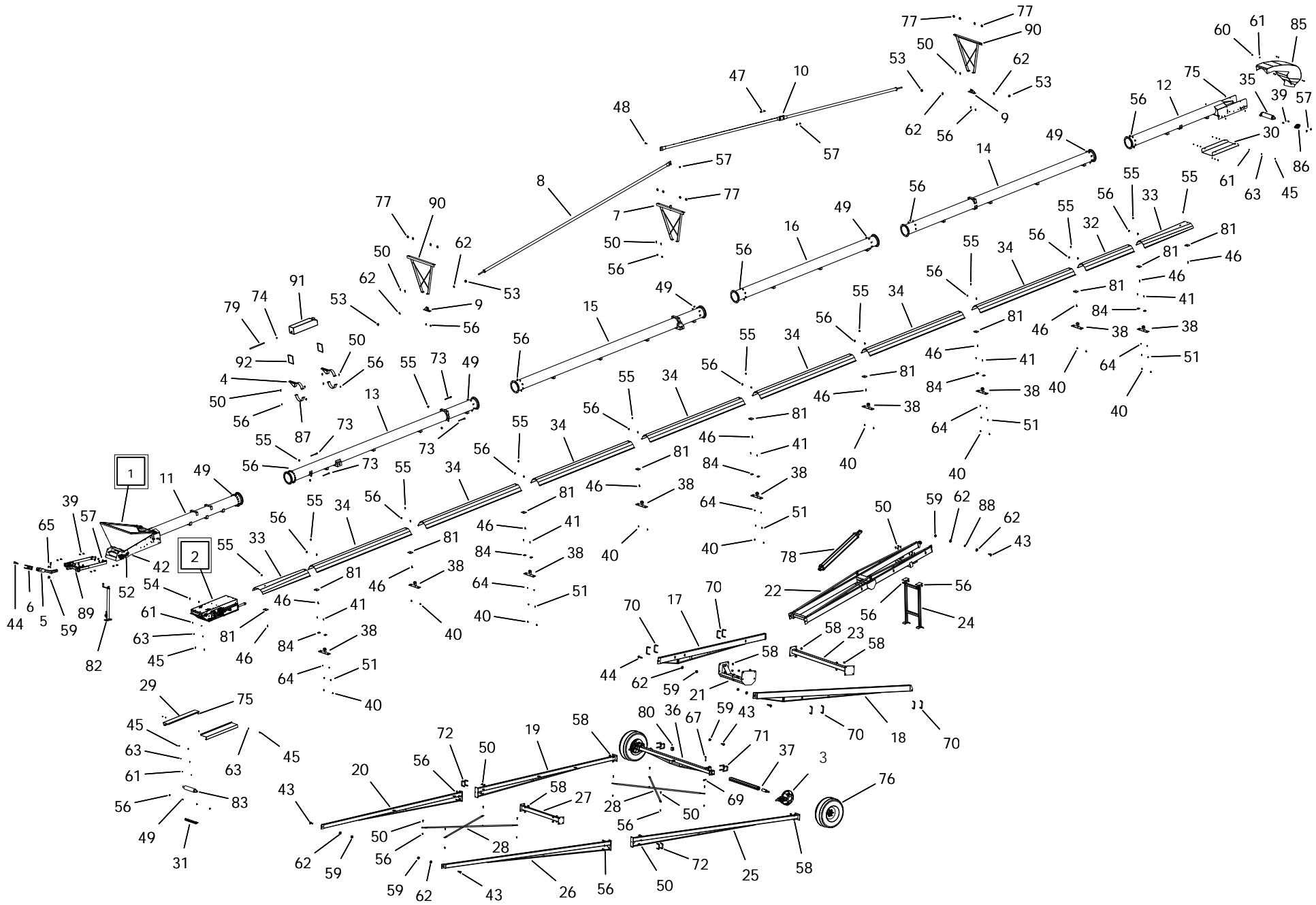
ITEM	PART NO.	DESCRIPTION
47	P029900216	GEAR CLAMP 32"

WET KIT GAS (1559408X) - 45



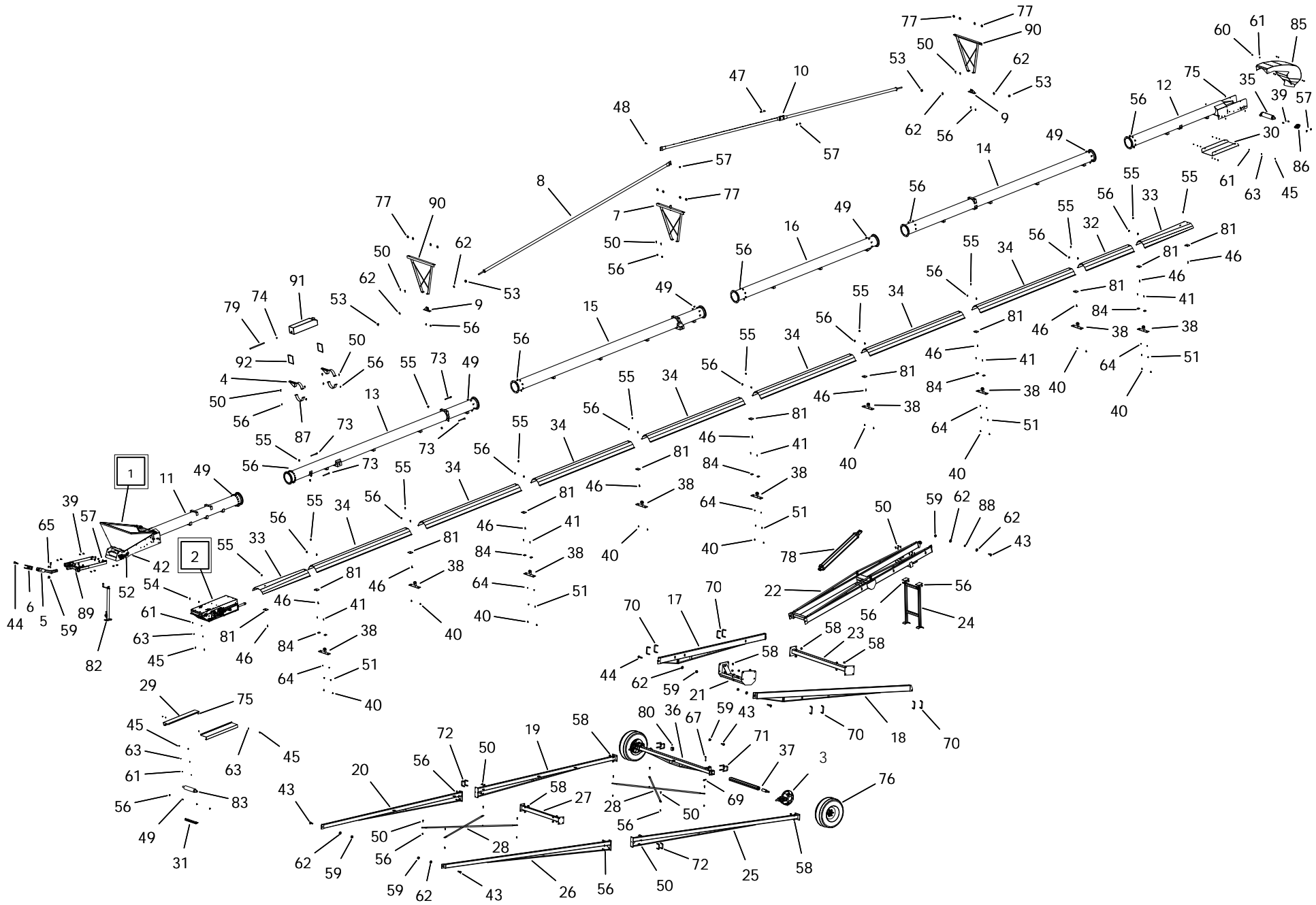
WET KIT GAS (1559408X) - 45

ITEM	PART NO.	DESCRIPTION
1	01010188	HOSE 3/4(9')-HOSE-HOSE
2	13011038	PLASTIC TANK SIDE MOUNT W 2.5" CLAM
3	13060104	PUMP MOUNT -PINCH DRIVE
4	13100028	PIVOT HANDLE SHAFT
5	13100035	PIVOT HANDLE
6	P0113018	CARRIAGE BOLT 3/8"X1 1/2"PLATED
7	P0118051	BOLT 3/8" X 2-1/2" GR8 PLATED
8	P0118077	BOLT 7/16"X1-1/2" GRADE 8 PLATED
9	P0134026	LOCKNUT-NYLON-3/8" GRADE 8
10	P0134007	LOCKNUT-NYLON-7/16"
11	P0151009	FLAT WASHER 3/8"PLATED USS
12	P0163010	QUICK PIN 1/4X2-1/2
13	P0184006	HOSE CLAMP-3/4"(HS12)
14	P029900216	GEAR CLAMP 32"
15	P0321035	BELT B35
16	P0328905	PULLEY-4-1/2"X1-1/8"
17	P0328906	PULLEY-4-1/2"X1/2"
18	P0820702	HOSE BARB-10MORBX3/4"HOSE
19	P0821130	SWIVEL-8 ORBX1/2"FPS
20	P0841033	PUMP-SMALL
20	P0841033S	PUMP-0.375 CW/END PORTS SEAL
21	P029900052-3	TANK, 22L, BLK W/FTG, CAP HOSE



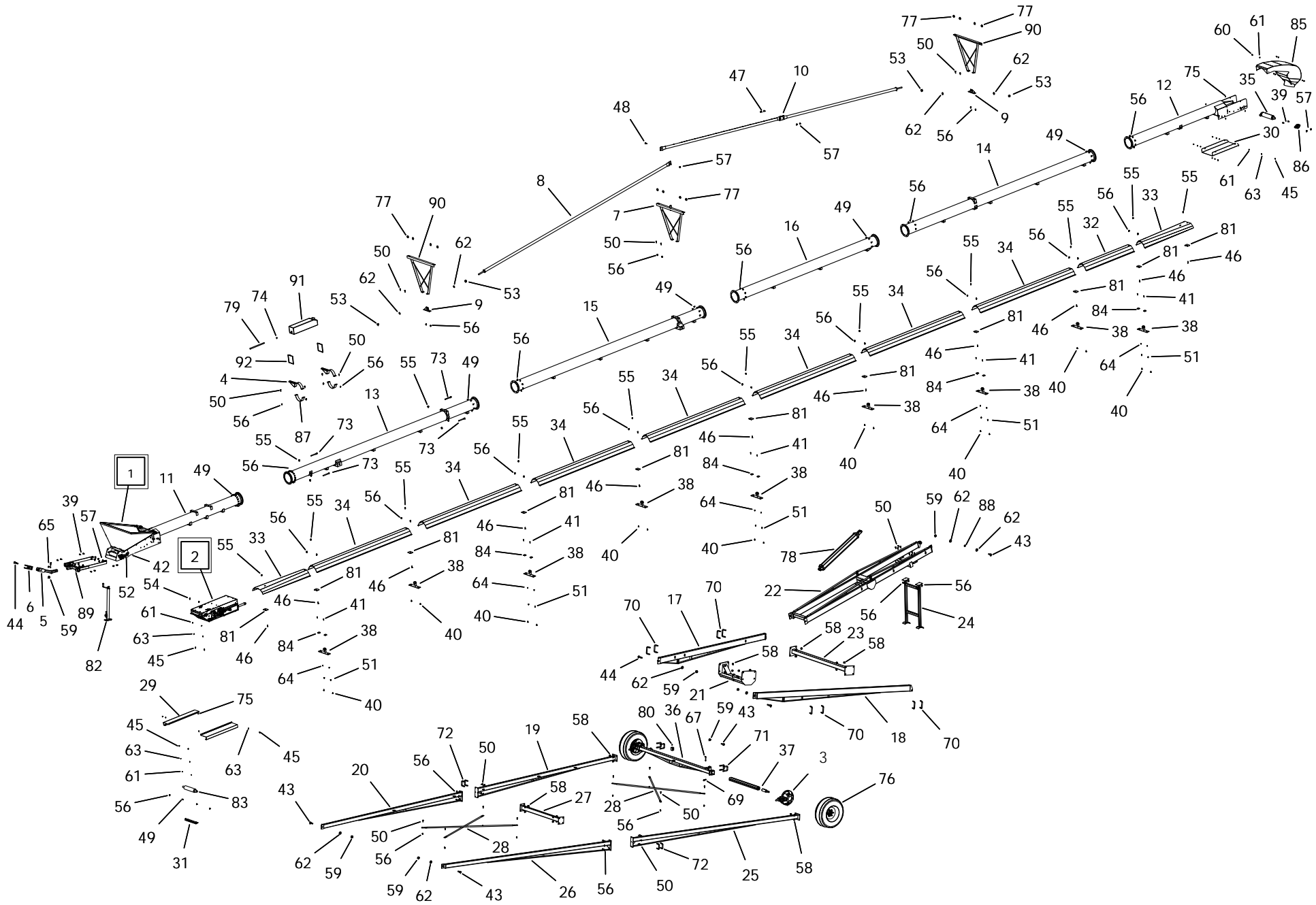
15100 FMD-15510015

ITEM	PART NO.	DESCRIPTION
1	15000304P	HOPPER -COLLAPSABLE STD
2	15590020	S-DRIVE ASM W/PINCH
3	13000154	MOVER-WM DRIVE 3" AXLE SCISSOR
4	13011038	PLASTIC TANK SIDE MOUNT W 2.5" CLAM
5	13030016	Tongue
6	13030017	CLEVIS
7	15010104	HIGH CABLE BRIDGE PLUS ANCHOR
8	15010105	UPPER TRUSS TUBE -246"
9	15010106	TRUSS ROD ANCHOR
10	15010107	UPPER TRUSS TUBE -300"
11	15020040	BT HOPPER SECTION 10' WITH SD BKTS
12	15020045	SPOUT SECTION 10' W/CABLE RTRN BKT
13	15020051	BOTTOM TUBE WITH ANCHORS
14	15020053	UPPER CENTER 20' TUBE
15	15020055	SUSPENSION BRACKET TUBE 100
16	15020056	CENTER SECTION 15'-100
17	15030080	LIFT ARM 100 RIGHT
18	15030081	LIFT ARM 100 LEFT
19	15030082	LOWER AXLE ARM 100 RIGHT
20	15030083	UPPER AXLE ARM 100 RIGHT
21	15030084	UPPER LIFT ARM BRACE 100
22	15030085	LADDER 100
23	15030086	LOWER LIFT ARM BRACE 100
24	15030087	TRANSPORT BRACE 100
25	15030088	LOWER AXLE ARM 100 LEFT
26	15030089	UPPER AXLE ARM 100 LEFT
27	15031046	AXLE ARM CROSS BRACE 15100
28	15032030	CROSS BRACE
29	15042040	SD-HOPPER BELT GUARD
30	15042093	SPOUT BOTTOM COVER
31	15042094	HOPPER GUARD BRACKET
32	15042101	WEATHER GUARD 5' - 61-1/2"
33	15042102	WEATHER GUARD 5' FLR - 61-1/2"
34	15042121	WEATHER GUARD 10' - 121-1/2"
35	15070009	HOPPER/SPOUT ROLLER LAGGED
36	20030109	AXLE EXTENDABLE 85
37	20030500	AXLE EXTENSION (WITH 6 LUGS)
38	150100811	WEATHER GUARD MOUNT BAR KIT-POLY
39	P0113004	CARRIAGE BOLT 1/2"X1-1/2"PLATED
40	P0113013	CARRIAGE BOLT 7/16"X1" PLATED
41	P0113020	CARRIAGE BOLT 5/16"X1-1/2"PLATED
42	P0114007	TAP BOLT 3/4 X 7 PLATED
43	P0118004	BOLT 1" X 3" GR8 PLATED
44	P0118007	BOLT 1" X 4-1/2" GR8 PLATED
45	P0118033	BOLT 1/4" X 3/4" GR8 PLATED
46	P0115303	CAPSCREW 3/8X1-1/4FLT HD SOCKET PTD



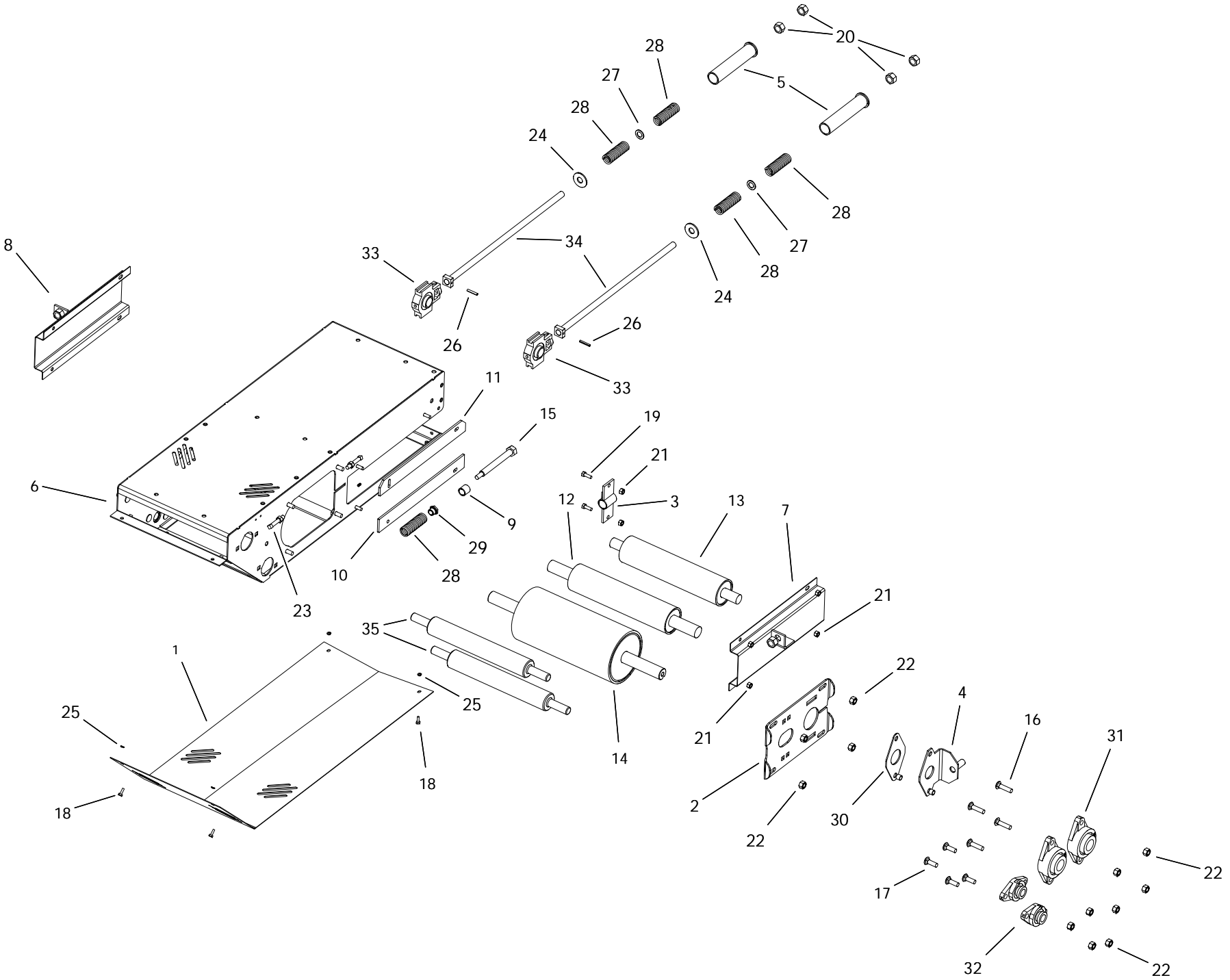
15100 FMD-15510015

ITEM	PART NO.	DESCRIPTION
47	P0118013	BOLT 1/2"X1 1/2" GR.8 PLATED
48	P0118016	BOLT 1/2" X 2" GR8 PLATED
49	P0118076	BOLT 7/16"X1" GRADE 8 PLATED
50	P0118077	BOLT 7/16"X1-1/2" GRADE 8 PLATED
51	P0131017	NUT 5/16" PLATED GRADE 8
52	P0131019	NUT 3/4" PLATED GRADE 8
53	P0131021	NUT 1" PLATED GRADE 8
54	P0134023	LOCKNUT-NYLON-1/4" GR8
55	P0134026	LOCKNUT-NYLON-3/8" GRADE 8
56	P0134007	LOCKNUT-NYLON-7/16"
57	P0134008	LOCKNUT-NYLON-1/2"
58	P0134029	LOCKNUT-NYLON-3/4" GRADE 8
59	P0134030	LOCKNUT-NYLON-1" GRADE 8
60	P0141002	TEK SCREW 1/4"X1"
61	P0151006	FLAT WASHER 1/4"PLATED USS
62	P0151031	FLAT WASHER 1"PLATED USS
63	P0152004	LOCK WASHER 1/4"PLATED
64	P0152010	LOCK WASHER 5/16"PLATED
65	P0162001	HITCH PIN 1/2" X 3" PLATED
67	P0162009	HITCH PIN 3/8 X 4-5/16
69	P0163011	HAIR PIN 5/32X2-15/16 (66326)
70	P0183006	U-BOLT 6" X 2" -PLATED
71	P0183012	U-BOLT 3-1/2" X 3-1/2" X 3/4"PTD
72	P0183013	U-BOLT 4"X2" (3/4") PTD
73	P0183021	3/8" EYE BOLT ASM
74	P0184033	WIRE HOSE CLAMP .500"
75	P0186010	THREADED INSERT 1/4-20-.027-.165
76	P0615308	TIRE ASM -6BLT ST205/75R15 LRC 6PL
77	P0712109	CABLE CLAMP-3/8"
78	P0814048	HYD CYL-4X48
79	P0831008	FUEL LINE-1/4"ID
80	P0861201	CUSHION BLOCK, COMPLETE
81	P1010001	UNI-MOUNT PLATE CAST
82	P1012009	JACK-7000LB SQ.TUBE 25" EXT
83	P1021006	ROLLER HEX 15-7/8"
84	P1210030	BELT GUIDE BLOCK
85	P1211501	HOOD-ROUND 15 SERIES (KANBAN)
86	P1711001	FLANGE UNIT-1-1/2"-SAFL208-24
87	P2219801P	U-CLAMP HANGER-10"X2-1/2"-BLACK
88	P2515002	FRAME BUSHING
89	15030015	15 SERIES HITCH
90	15010103	HIGH CABLE BRIDGE
91	P021200051	GAS TANK W/CAP W/FITTING-22L
92	P029900216	GEAR CLAMP 32"
93	15571001	15100 205'
94	P0145002	SET SCREW-7/16"X2-1/2"SQ.HD.



15100 FMD-15510015

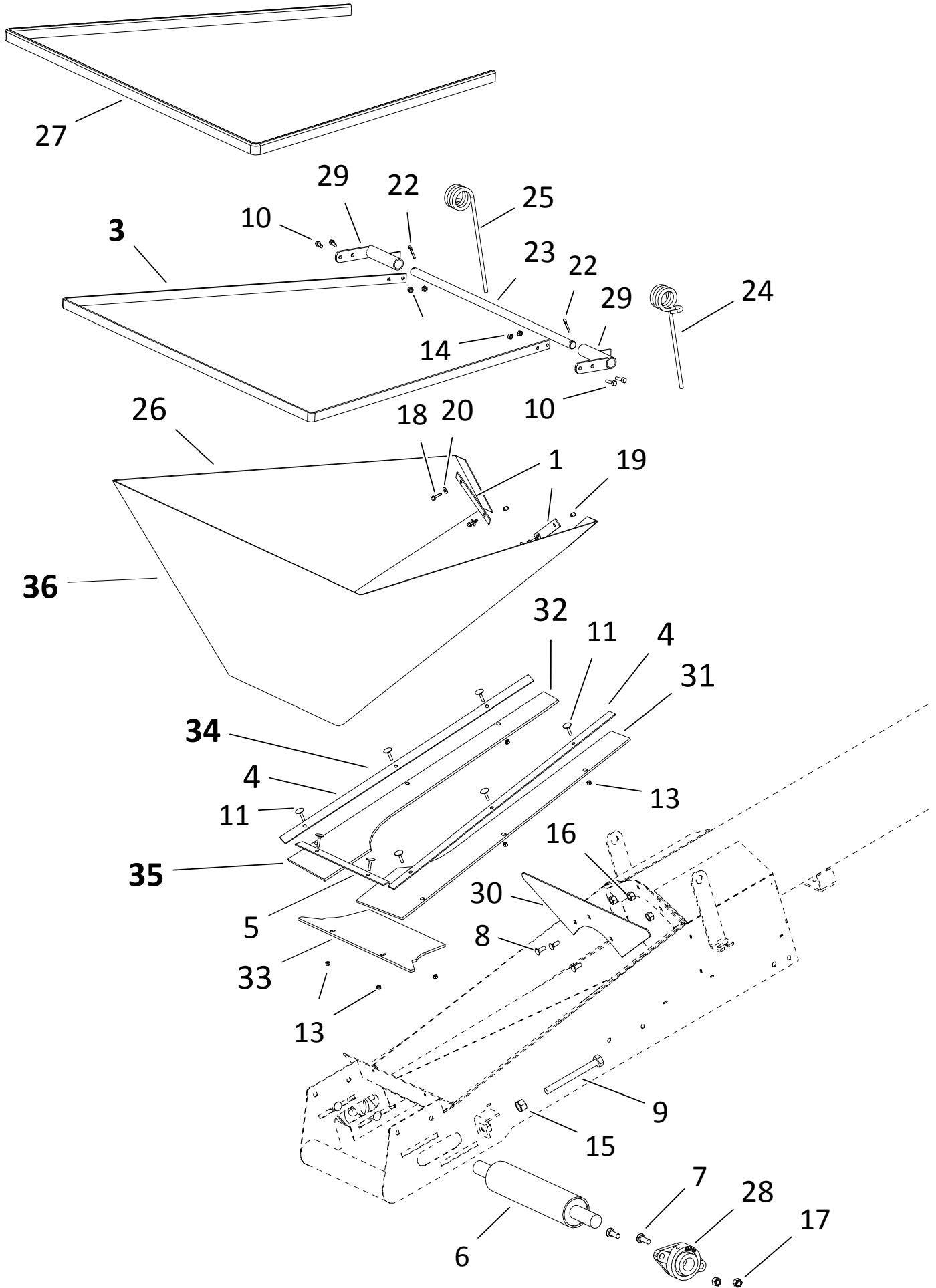
ITEM	PART NO.	DESCRIPTION
95	P0711113	CABLE-3/8" (162') (NOT SHOWN)
96	P0711119	CABLE-3/8" (96') (NOT SHOWN)
97	P1243001	CABLE TIE 14" 120 LB
98	P2227989	MANUAL HOLDER AND LID
99	13060080	DIRECT DRV CONTROL BOX
100	P0712113	THROTTLE CONTROL 10'
101	P0712103	CHOKE CABLE-9' LOCKING



S-DRIVE (15590020)

ITEM	PART NO.	DESCRIPTION
1	15040001	PINCH SD BOTTOM GUARD
2	15060061	SD COVER PLATE 6-1/2"ROLLER
3	15060079	S-DRIVE TAKEUP BRACKET
4	15060082	PINCH TIGHTENER PLATE
5	15060504	PRETENSIONER 1550
6	15061045	S-DRIVE PINCH
7	15061046	SIDE GUARD LH
8	15061047	SIDE GUARD RH
9	15062010	PINCH PIPE
10	15062179	S-DRIVE SLIDER BOLT PLATE - BOTTOM
11	15062180	S-DRIVE SLIDER BOLT PLATE - TOP
12	15070019	3-1/2"TAKE-UP (PINCH)
13	15070020	3-1/2"TAKE-UP 19.5"SHAFT
14	15070030	DRIVE ROLLER-6-1/2" W/EXT SHAFT
15	P0113000	SPRING TENSION BOLT
16	P0113001	CARRIAGE BOLT 1/2"X2" PLATED
17	P0113004	CARRIAGE BOLT 1/2"X1-1/2"PLATED
18	P0118033	BOLT 1/4" X 3/4" GR8 PLATED
19	P0118046	BOLT 3/8" X 1" GR8 PLATED
20	P0131019	NUT 3/4" PLATED GRADE 8
21	P0134026	LOCKNUT-NYLON-3/8" GRADE 8
22	P0134008	LOCKNUT-NYLON-1/2"
23	P0145002	SET SCREW-7/16"X2-1/2"SQ.HD.
24	P0151015	FLAT WASHER 3/4"PLATED USS
25	P0152004	LOCK WASHER 1/4"PLATED
26	P0167001	SPRING PIN 1/4" X 1-1/2"
27	P0351015	MACHINERY BUSH 3/4"X1-1/4"-14G PTD.
28	P0511008	SPRING-LD-1300 SERIES
29	P0820129	BUSHING BRASS FLANGED
30	P1210102	BELT TIGHTENER SLIDER PLATE FL208
31	P1711001	FLANGE UNIT-1-1/2"-SAFL208-24
32	P1711004	FLANGE UNIT-1"-SAFL205-16
33	P1721001	TAKE-UP UNIT-1-1/4"-T206-20
34	P2515006	15 S-DRIVE TIGHTENER BOLT
35	P20315001	S-DRIVE RETURN-1" ROLLER

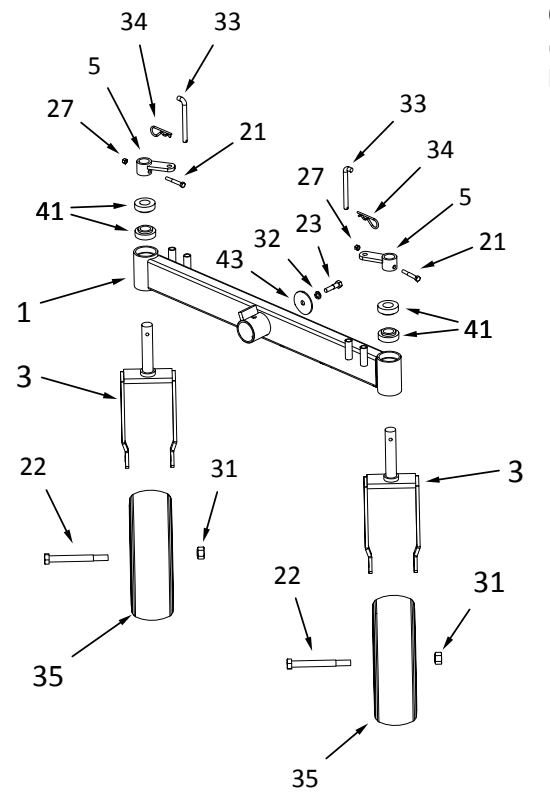
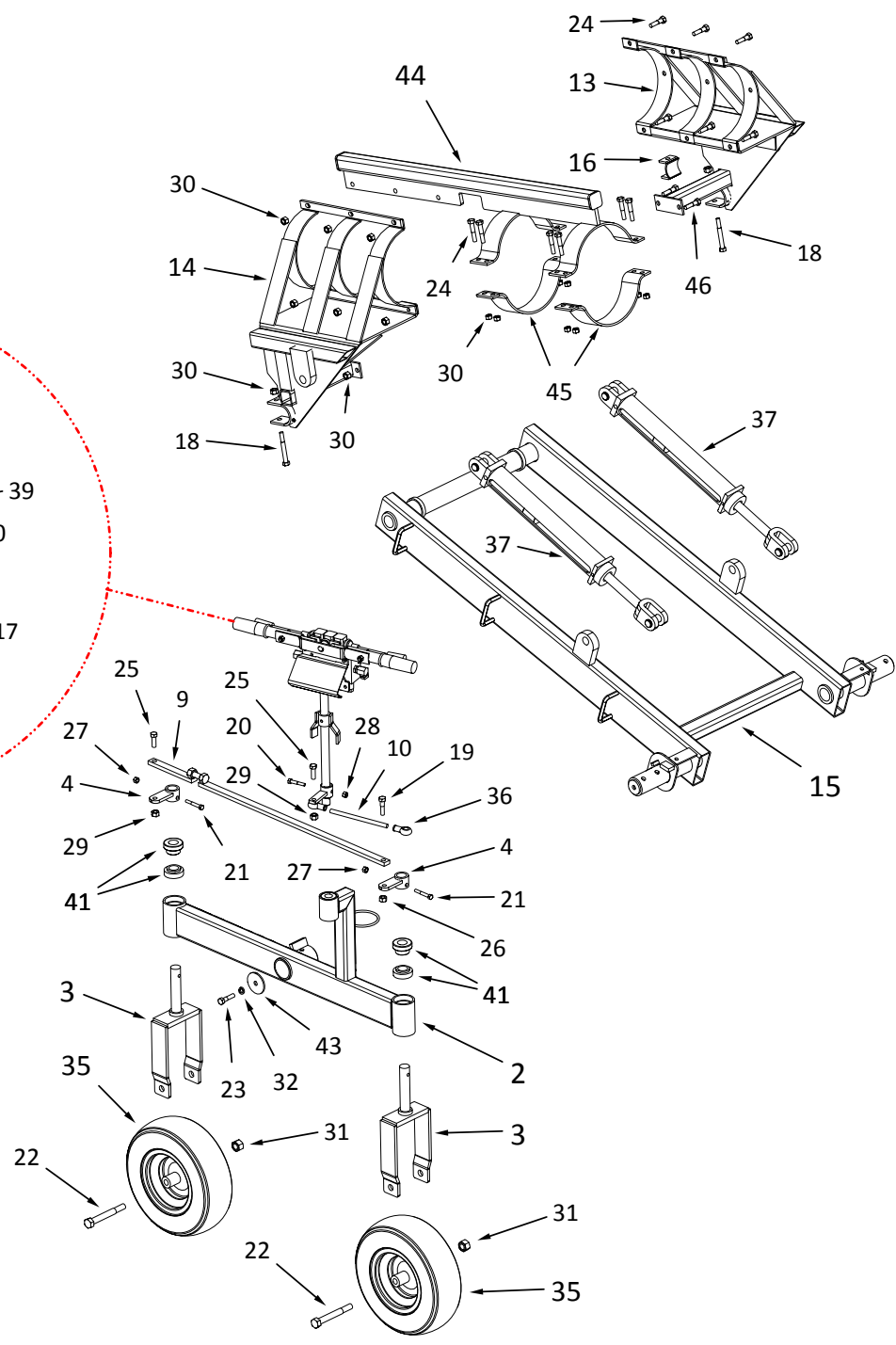
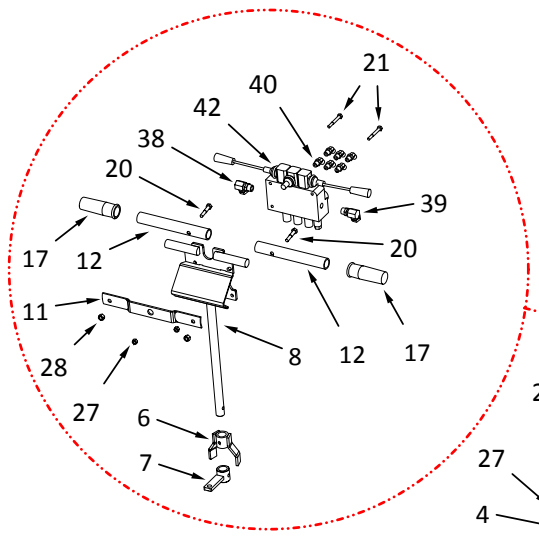
HOPPER (15000304P)



HOPPER (15000304P)

ITEM	PART NO.	DESCRIPTION
1	13052001	LOWER CLOTH FRAME STD BACK
3	15052004	UPPER CLOTH FRAME STD
4	15052101	LOWER CLOTH FRAME STD SIDE
5	15052102	LOWER CLOTH FRAME STD FRONT
6	15070009	HOPPER/SPOUT ROLLER LAGGED
7	P0113004	CARRIAGE BOLT 1/2"X1-1/2"PLATED
8	P0113015	CARRIAGE BOLT 3/8"X1" PLATED
9	P0114007	TAP BOLT 3/4 X 7 PLATED
10	P0118061	BOLT 5/16" X 1" GR8 PLATED
11	P0116001	ELEVATOR BOLT 1/4"X1-1/4"
13	P0131016	NUT 1/4" PLATED GRADE 8
14	P0131017	NUT 5/16" PLATED GRADE 8
15	P0131019	NUT 3/4" PLATED GRADE 8
16	P0134026	LOCKNUT-NYLON-3/8" GRADE 8
17	P0134008	LOCKNUT-NYLON-1/2"
18	P0141002	TEK SCREW 1/4"X1"
19	P0145001	VINYL SCREW CAP
20	P0151006	FLAT WASHER 1/4"PLATED USS
22	P0161003	COTTER PIN 3/16"X1-1/2"PLATED
23	P0162007	HOPPER PIVOT SHAFT-13/15
24	P0521001	HOPPER SPRING-L
25	P0521002	HOPPER SPRING-R
26	P1621007	HOPPER CANVAS-15 CONV.
27	P1641015	TRIM LOCK
28	P1711001	FLANGE UNIT-1-1/2"-SAFL208-24
29	P2515017	PIVOT SHAFT BRACKET
30	P11150047	HOPPER SHIELD
31	P19159000	HOPPER LEFT FLASHING STD
32	P19159001	HOPPER RIGHT FLASHING STD
33	P19159002	HOPPER FRONT FLASHING STD
34	15000314	HOPPER -LINER KIT STD
35	15000306P	HOPPER -FLASHING ONLY STD
36	15000304P	HOPPER -COLLAPSABLE STD

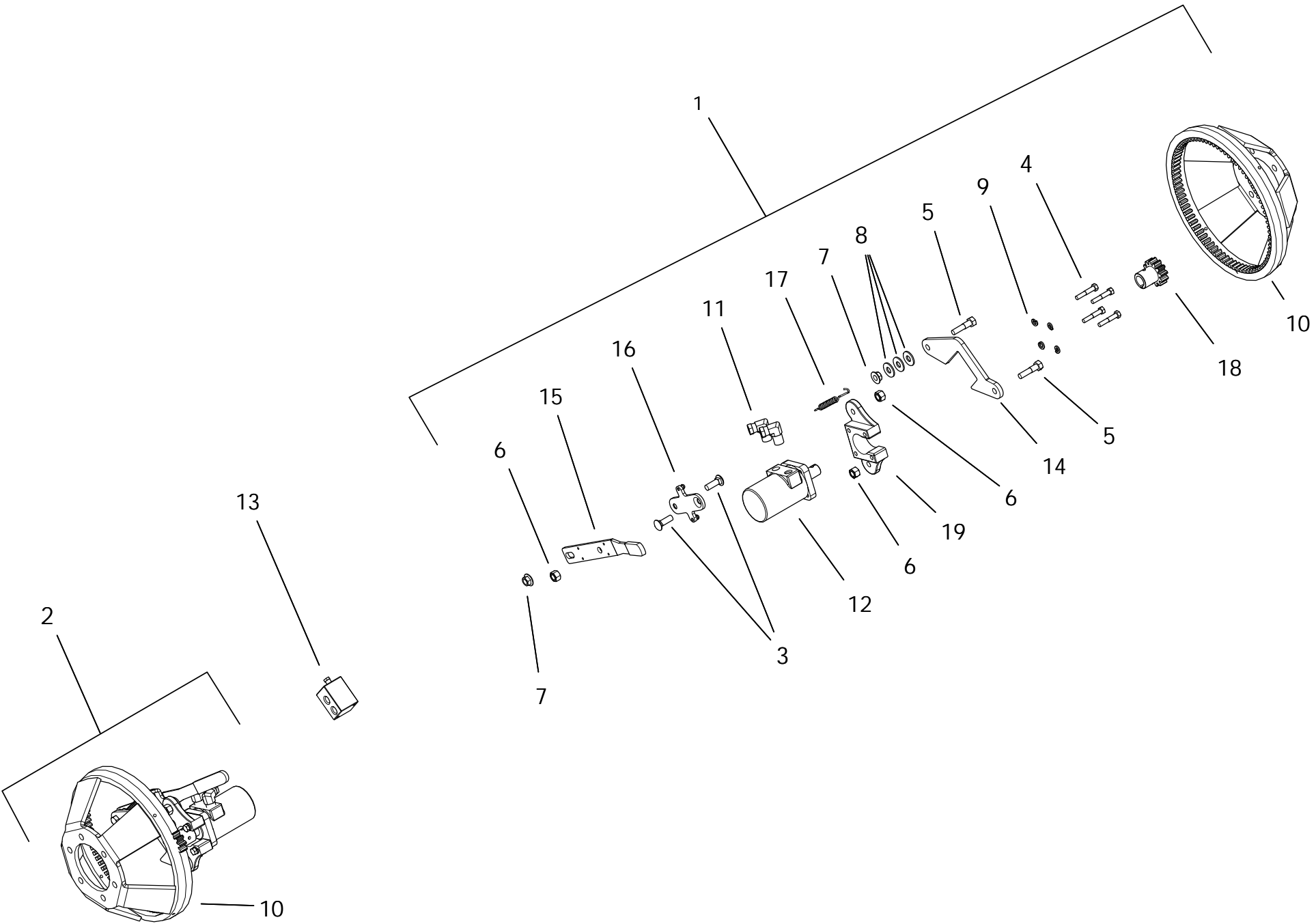
320



WHEEL MOVE

ITEM	PART NO.	DESCRIPTION
1	13120003	WALKING BEAM
2	13120004	WALKING BEAM-STEERING
3	13120005	FORK-STRAIGHT
4	13120007	STEERING PIPE
5	13120008	LOCKING PIPE
6	13120023	STEERING STOP
7	13120024	HD CASTOR RETAINER C/W YOKE LINK AR
8	13120125	STEERING WELDMENT
9	13122023	STEERING LINK ARM
10	13122076	LINKAGE - THREADED 1/2X8 ROD
11	13122078	HANDLE JOINT
12	13122087	WM STEERING HANDLE PIPE
13	15120001	WHEEL MOVE BASE LEFT
14	15120002	WHEEL MOVE BASE RIGHT
15	15120003	CAM LIFT
16	15120004	SWIVEL BLOCK
17	P02-0200344	HANDLE GRIP 1-1/4"
18	P0118019	BOLT 1/2" X 3-1/2" GR8 PLATED
19	P0118029	BOLT 1/4" X 2" GR8 PLATED
20	P0118050	BOLT 3/8" X 2" GR8 PLATED
21	P0118063	BOLT 5/16" X 2-1/2" GR8 PLATED
22	P0118133	BOLT 3/4" X 7" GR8 PLATED
23	P0118016	BOLT 1/2" X 2" GR8 PLATED
24	P0118017	BOLT 1/2"X2-1/2"GRADE 8 PLATED
25	P0118077	BOLT 7/16"X1-1/2" GRADE 8 PLATED
26	P0134023	LOCKNUT-NYLON-1/4" GR8
27	P0134027	LOCKNUT-NYLON-5/16" GRADE 8
28	P0134026	LOCKNUT-NYLON-3/8" GRADE 8
29	P0134007	LOCKNUT-NYLON-7/16"
30	P0134008	LOCKNUT-NYLON-1/2"
31	P0134029	LOCKNUT-NYLON-3/4" GRADE 8
32	P0152008	LOCK WASHER 1/2"PLATED
33	P0162004	HITCH PIN 1/2" X 5" PLATED
34	P0163001	HAIR PIN 3/16" X 3-1/4"
35	P0614306	TIRE & RIM 480X8 LRC
36	P0631010	TIE ROD END BALL JOINT
37	P0812516	HYD CYL-2-1/2X16
38	P0820003	SWIVEL-10ORBX1/2F90
39	P0820009	SWIVEL-6MORBX1/2"FPT/90D
40	P0820611	ELBOW-6 ORBX3/8"JIC M 45
41	P1742002	BEARING-1-1/4"
42	P08610091	VALVE-3 SPL-W/2 HANDLES
43	P11130185	AXLE END CAP
44	15060022	MOVER FLANGE SUPPORT
45	P2513203P	3" U-CLAMP PAINTED
46	P0118013	BOLT 1/2"X1 1/2" GR.8 PLATED

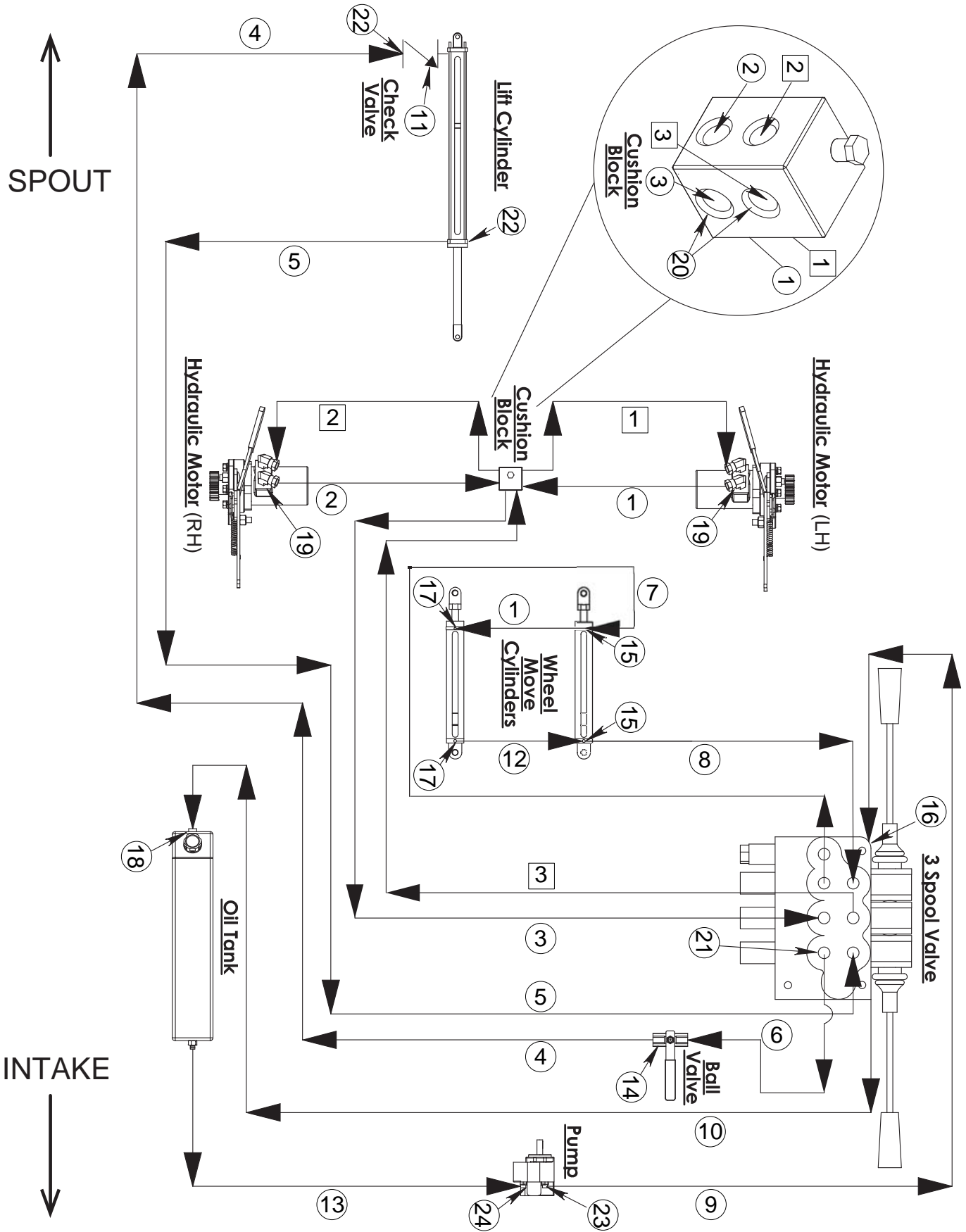
WHEEL MOVE DRIVE SYSTEM (13000144)



WHEEL MOVE DRIVE SYSTEM (13000144)

ITEM	PART NO.	DESCRIPTION
1	13000120	WM DRIVE PINION GEAR ASSY - RIGHT
2	13000121	WM DRIVE PINION GEAR ASSY - LEFT
3	P0113004	CARRIAGE BOLT 1/2"X1-1/2"PLATED
4	P0118050	BOLT 3/8" X 2" GR8 PLATED
5	P0118016	BOLT 1/2" X 2" GR8 PLATED
6	P0134008	LOCKNUT-NYLON-1/2"
7	P0134108	LOCKNUT-TENSILOCK-1/2"
8	P0151029	FLAT WASHER 1/2"PLATED USS
9	P0152006	LOCK WASHER 3/8"PLATED
10	P0615314	RING GEAR - 6 BOLT C/W MOUNT PLATE
11	P0820013	SWIVEL-1/2MX3/8F90
12	P0841012	HYD MOTOR-6.3 (5.9H) RS-1/2" HOLE
13	P0861201	CUSHION BLOCK, COMPLETE
14	P11130126	WHEEL-MOVE AXLE TAB 3"
15	P020200007	HANDLE WITH GRIP
16	15121033	PAINTED HANDLE LINK ARM
17	P020200009	HANDLE SPRING
18	P020200333	PINION GEAR-1"ID 3/8"HOLE
19	P020200338A	MOTOR ARM -EYEGLOSS PIECE, DRILLED
20	P0163011	HAIR PIN 5/32X2-15/16 (66326)
21	P0821127	SWIVEL-3/8"-STR.

WHEEL MOVE HYDRAULIC SCHEMATIC

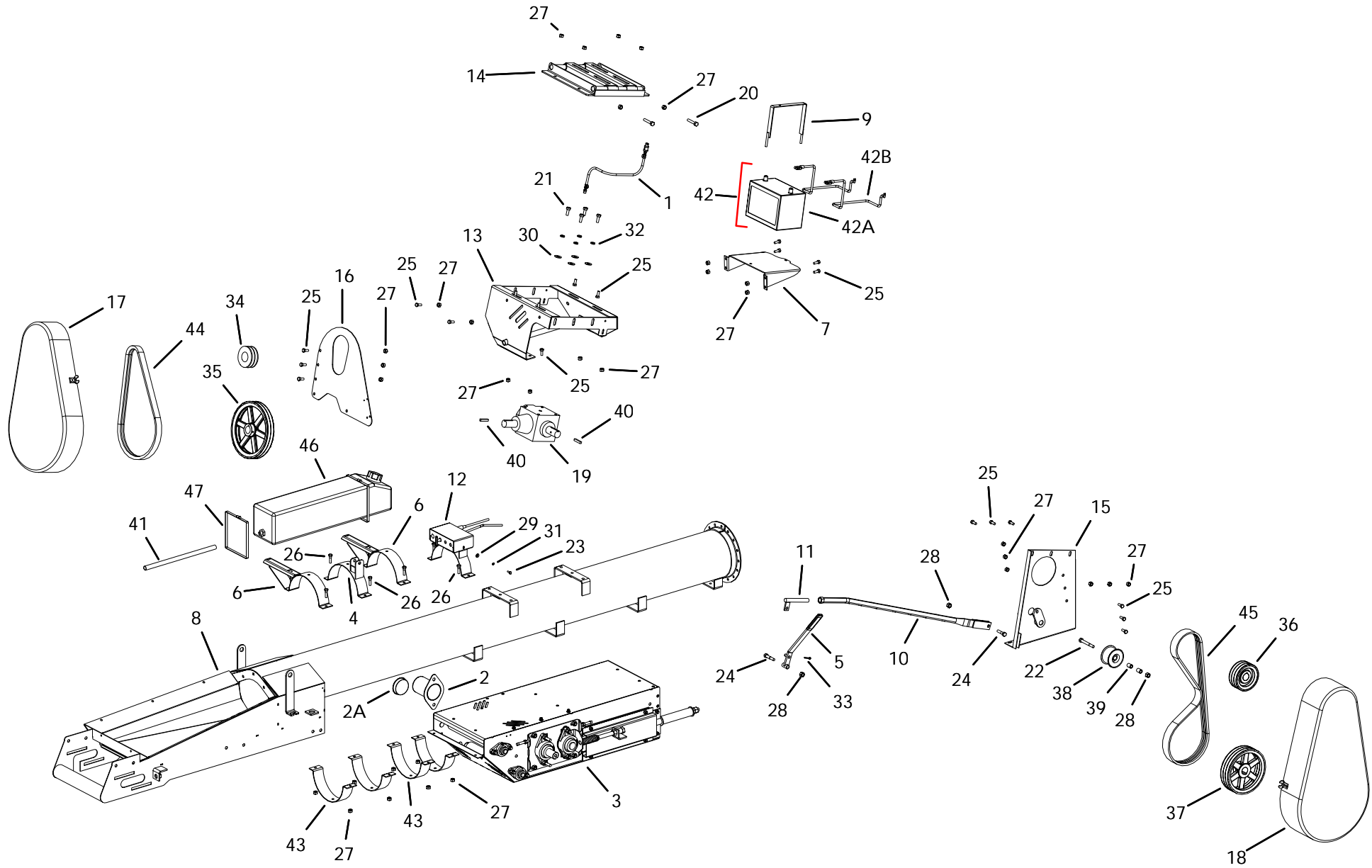


WHEEL MOVE HYDRAULIC SCHEMATIC

ITEM	PART NO.	DESCRIPTION
1	P0832020	HOSE 3/8(4'6")-3/8MPT-3/8MPT PC
2	P0832038	HOSE 3/8(9')-3/8MPT-3/8MPT PC
3	P0832069	HOSE 3/8(50')-3/8MPT-3/8FJIC PC
4	P0832068	HOSE 3/8(52'6")-1/2MPT-1/2MPT PC
5	P0832067	HOSE 3/8(63')-1/2MPT-3/8FJICX PC
6	P0832043	HOSE 3/8(10'6")-1/2MPT-3/8FJIC PC
7	P0832026	HOSE 3/8(7')-3/8FJICX-3/8MPT PC
8	P0832040	HOSE 3/8(5'10")-3/8MPT-3/8FJICX PC
9	P0832053	HOSE 1/2(11'6")-1/2"MPT-1/2"MPT PC
10	P0832031	HOSE 1/2(15')-1/2MPT-1/2MPT PC
11	P0861035	CHECK VALVE-1/2" (NO HOLE)
12	P0832029	HOSE 3/8(5'6")-3/8MPT-3/8MPT PC
13	01010148	HOSE 3/4(5')-HOSE-HOSE
14	P0861001	BALL VALVE-1/2"
15	P029900791	TEE-3/8"FSX3/8"MX3/8"FS
16	P0820010	SWIVEL-8MORBX1/2"FPT/90D
17	P0820007	SWIVEL-3/8"PT/90D
18	P0821112	SWIVEL-1/2" STRAIGHT
19	P0820013	SWIVEL-1/2MX3/8F90
20	P0821127	SWIVEL-3/8"-STR.
21	P0820611	ELBOW-6 ORBX3/8"JIC M 45
22	P0820001	SWIVEL-1/2"90 DEGREE
23	P0821129	SWIVEL-6MORBX1/2"FPT
24	P0820702	HOSE BARB-10MORBX3/4"HOSE

GAS DIRECT DRIVE KIT (15593100)

326



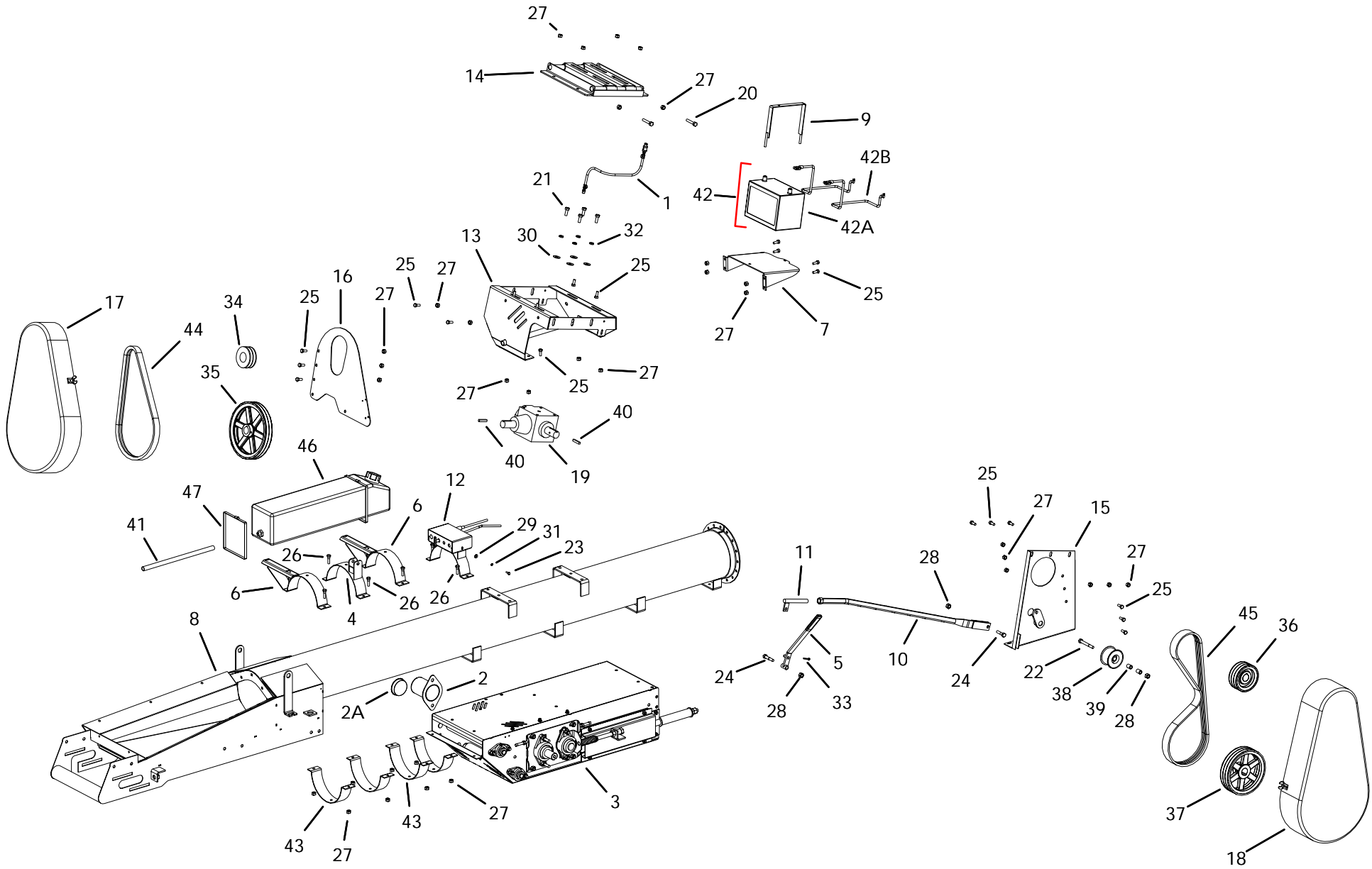
Note: Gas Drive Kit (15593100) does not include item # 8, 34 & 42.

GAS DIRECT DRIVE KIT (15593100)

ITEM	PART NO.	DESCRIPTION
1	01010003	BREATHER DIRECT DRIVE
2	24041038	SHAFT GUARD(FL-210)
3	15590020	S-DRIVE ASM W/PINCH
4	13010048	MOTOR MT OVERCENTER ANCHOR BKT
5	13010054	MOTOR MT OVERCENTER HANDLE
6	13011038	PLASTIC TANK SIDE MOUNT W 2.5" CLAM
7	13012108	MOTOR MOUNT BATTERY MOUNT
8	13020040	BT HOPPER SECTION 10' WITH SD BKTS
9	13060054	BATTERY CLAMP
10	13060068	MOTOR MT OVERCENTER PUSHROD
11	13060074	OVERCENTER ADJUSTER
12	13060080	DIRECT DRV CONTROL BOX
13	13060102	MOTOR MOUNT
14	13060103	SLIDER MOUNT
15	13060105	MOTOR MOUNT BACK PLATE
16	13060107	ENGINE GUARD BACK
17	15040055	PINCH GUARD SMALL ASSEMBLED
18	15040056	PINCH GUARD MED ASSEMBLED
19	15591001	GBOX 90 2:1 CW/CW 1-1/2 4190 W/OIL
20	P0114005	TAP BOLT 1/2 X 2-1/2 GR.8 PLATED
21	P0115020	BOLT 1/2" X 1-1/4" GR5 PLATED
22	P0118130	BOLT 1/2" X 4" GR8 PLATED
23	P0118033	BOLT 1/4" X 3/4" GR8 PLATED
24	P0118016	BOLT 1/2" X 2" GR8 PLATED
25	P0118076	BOLT 7/16"X1" GRADE 8 PLATED
26	P0118077	BOLT 7/16"X1-1/2" GRADE 8 PLATED
27	P0134007	LOCKNUT-NYLON-7/16"
28	P0134008	LOCKNUT-NYLON-1/2"
29	P0151006	FLAT WASHER 1/4"PLATED USS
30	P0151029	FLAT WASHER 1/2"PLATED USS
31	P0152004	LOCK WASHER 1/4"PLATED
32	P0152008	LOCK WASHER 1/2"PLATED
33	P0161003	COTTER PIN 3/16"X1-1/2"PLATED
34	P0328018	PULLEY-DBL-BK-4"H
35	P0328024	PULLEY-DBL-12" W/1-1/2"BORE
36	P0328050	PULLEY-TRPL-6" W/1-1/2"BORE
37	P0328079	PULLEY-TRPL-10" W/1-1/2"BORE
38	P0328910	IDLER-FLAT-4"TRPL 2-7/16"WIDE
39	P0351019	BUSHING 3/4"ODX1/2"IDX1"BRONZE
40	P0391002	KEY 3/8" X 2" LONG
41	P0831008	FUEL LINE-1/4"ID
42	P0951013	BATTERY 420CCA
43	P2219801P	U-CLAMP HANGER-10"X2-1/2"-BLACK
44	P03210531	BELT 2B53 BANDED
45	P03210652	BELT 3B65 BANDED
46	P021200051	GAS TANK W/CAP W/FITTING-22L

GAS DIRECT DRIVE KIT (15593100)

328

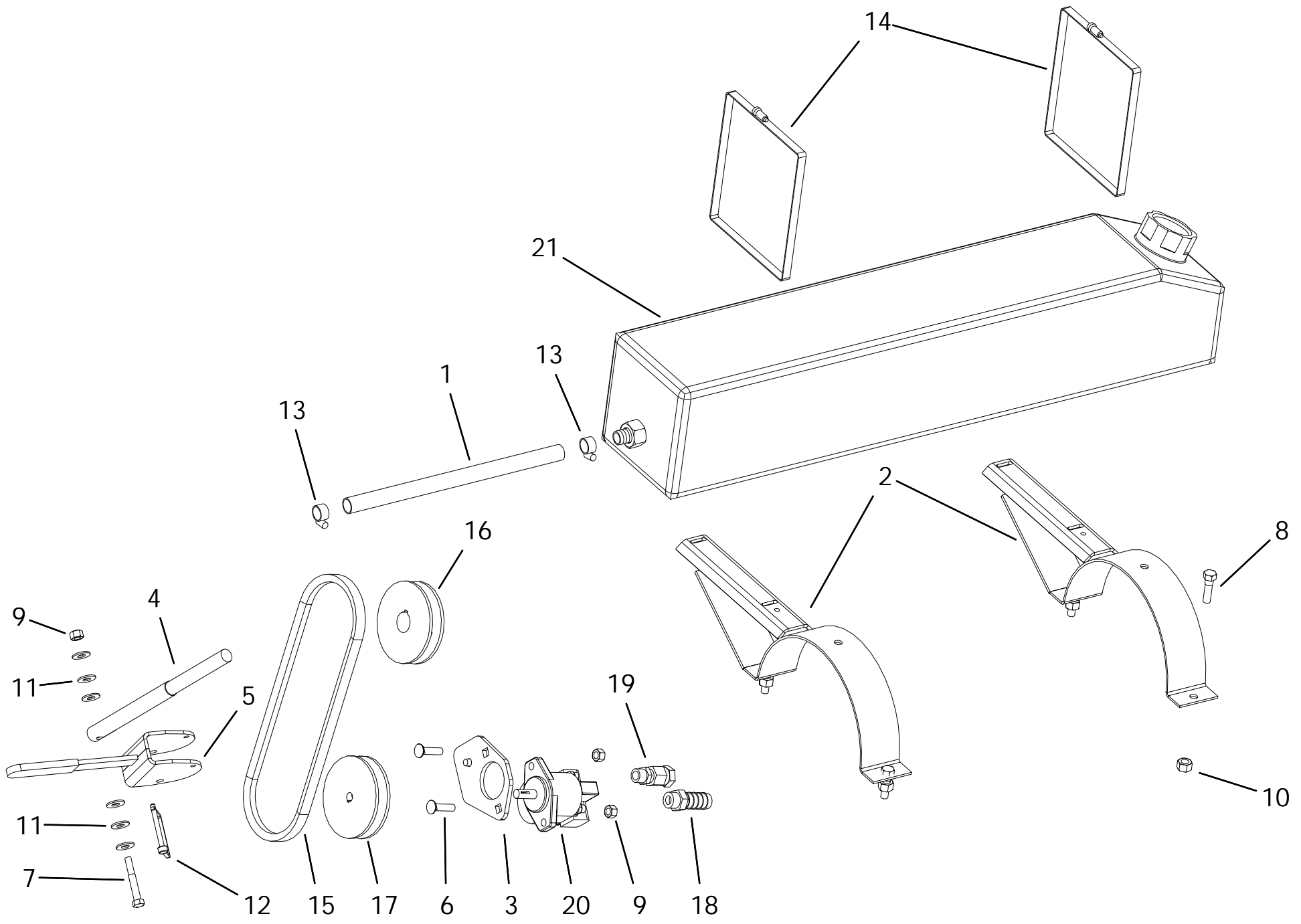


Note: Gas Drive Kit (15593100) does not include item # 8, 34 & 42.

GAS DIRECT DRIVE KIT (15593100)

ITEM	PART NO.	DESCRIPTION
47	P029900216	GEAR CLAMP 32"

WET KIT GAS (1559408X) - 45



330

WET KIT GAS (1559408X) - 45

ITEM	PART NO.	DESCRIPTION
1	01010188	HOSE 3/4(9')-HOSE-HOSE
2	13011038	PLASTIC TANK SIDE MOUNT W 2.5" CLAM
3	13060104	PUMP MOUNT -PINCH DRIVE
4	13100028	PIVOT HANDLE SHAFT
5	13100035	PIVOT HANDLE
6	P0113018	CARRIAGE BOLT 3/8"X1 1/2"PLATED
7	P0118051	BOLT 3/8" X 2-1/2" GR8 PLATED
8	P0118077	BOLT 7/16"X1-1/2" GRADE 8 PLATED
9	P0134026	LOCKNUT-NYLON-3/8" GRADE 8
10	P0134007	LOCKNUT-NYLON-7/16"
11	P0151009	FLAT WASHER 3/8"PLATED USS
12	P0163010	QUICK PIN 1/4X2-1/2
13	P0184006	HOSE CLAMP-3/4"(HS12)
14	P029900216	GEAR CLAMP 32"
15	P0321035	BELT B35
16	P0328905	PULLEY-4-1/2"X1-1/8"
17	P0328906	PULLEY-4-1/2"X1/2"
18	P0820702	HOSE BARB-10MORBX3/4"HOSE
19	P0821130	SWIVEL-8 ORBX1/2"FPS
20	P0841033	PUMP-SMALL
20	P0841033S	PUMP-0.375 CW/END PORTS SEAL
21	P029900052-3	TANK, 22L, BLK W/FTG, CAP HOSE



Shipping: 201 Industrial Drive, Swift Current, Saskatchewan S9H 5R4, CANADA

Mailing: Box 1750, Swift Current, Saskatchewan S9H 4J8, CANADA

Toll-Free: (877) 667-7421 (Canada & USA)

Phone: (306) 773-7779

Fax: (306) 778-2524

Email: info@batcomfg.com

Web: www.batcomfg.com

Batco is part of the Ag Growth International group

© Ag Growth International 2019

Printed in Canada